



SY89858U

Precision Low Power 1:8 LVPECL Fanout Buffer with Internal Termination

General Description

The SY89858U is a 2.5V/3.3V precision, high-speed, fully differential LVPECL 1:8 fanout buffer optimized to provide eight identical output copies with less than 30ps of skew and less than 10ps_{pp} total jitter. It can process clock signals as fast as 2.0GHz.

The differential input includes Micrel's unique, 3-pin input termination architecture that allows the SY89858U to directly interface to LVPECL, CML, and LVDS differential signals (AC- or DC-coupled) as small as 100mV without any level shifting or termination resistor networks in the signal path. The result is a clean, stub-free, low-jitter interface solution. The LVPECL (100k temperature compensated) outputs feature 800mV typical swing into 50Ω loads, and provide fast rise/fall times guaranteed to be less than 200ps.

The SY89858U operates from a 2.5V ±5% supply or 3.3V ±10% supply and is guaranteed over the full industrial temperature range of -40°C to +85°C. For applications that require a higher speed fanout buffer, consider the SY58032U. The SY89858U is part of Micrel's high-speed, Precision Edge® product line. All support documentation can be found on Micrel's web site at: www.micrel.com.



Precision Edge®

Features

- Precision 1:8, LVPECL fanout buffer
- Low power: 238mW (2.5V)
- Guaranteed AC performance over temperature and supply voltage:
 - Wide operating frequency: DC to 2.0GHz
 - <380ps In-to-Out t_{pd}
 - <200ps t_r/t_f
 - <30ps skew
- Ultra-low jitter design:
 - 710fs RMS phase jitter (Typ)
- 100k LVPECL compatible outputs
- Fully differential inputs/outputs
- Accepts an input signal as low as 100mV (200mV_{pp})
- Unique patent pending input termination and VT pin accepts DC-coupled and AC-coupled differential inputs (LVPECL, LVDS, and CML)
- Power supply 2.5V ±5% or 3.3V ±10%
- -40°C to +85°C industrial temperature range
- Available in 32-pin (5mm x 5mm) QFN package

Applications

- All SONET and GigE clock distribution
- All Fibre Channel clock and data distribution
- Network routing engine timing distribution
- High-end, low-skew multiprocessor synchronous clock distribution

Markets

- LAN/WAN
- Enterprise servers
- ATE
- Test and measurement

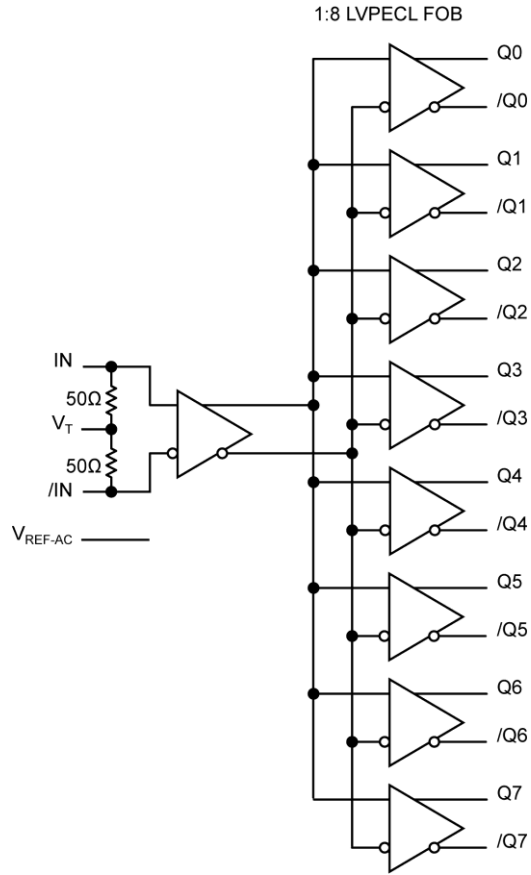
Precision Edge is a registered trademark of Micrel, Inc.

Micrel Inc. • 2180 Fortune Drive • San Jose, CA 95131 • USA • tel +1 (408) 944-0800 • fax + 1 (408) 474-1000 • <http://www.micrel.com>

Oct. 1, 2013

M9999-082907-C
hbwhelp@micrel.com or (408) 955-1690

Typical Application



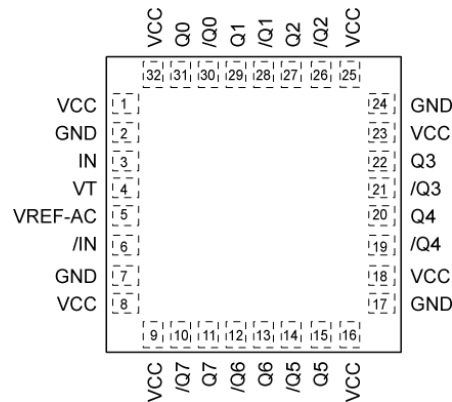
Ordering Information⁽¹⁾

Part Number	Package Type	Operating Range	Package Marking	Lead Finish
SY89858UMG	QFN-32	Industrial	SY89858 with Pb-Free bar-line indicator	NiPdAu Pb-Free
SY89858UMGTR ⁽²⁾	QFN-32	Industrial	SY89858 with Pb-Free bar-line indicator	NiPdAu Pb-Free

Notes:

1. Contact factory for die availability. Dice are guaranteed at T_A = 25°C, DC Electricals Only.
2. Tape and Reel.

Pin Configuration



32-Pin QFN

Pin Description

Pin Number	Pin Name	Pin Function
3, 6	IN, /IN	Differential Input: This differential input accepts AC- or DC-coupled signals as small as 100mV (200mV _{PP}). Each pin of this pair internally terminates to a VT pin through 50Ω. Note that these inputs will default to an indeterminate state if left open. Please refer to the “Input Interface Applications” section for more details.
4	VT	Input Termination Center-Tap: Each side of the differential input pair terminates to this VT pin. The VT pin provides a center-tap to a termination network for maximum interface flexibility. See the “Input Interface Applications” section for more details.
5	VREF-AC	Reference Voltage: This output biases to V _{CC} -1.2V (typical). It is used for AC-coupling inputs IN and /IN. Connect VREF-AC directly to the corresponding VT pin. Bypass with 0.01uF low ESR capacitor to V _{CC} . Maximum sink/source capability is 1.5mA.
1, 8, 9, 16, 18, 23, 25, 32	VCC	Positive Power Supply: Bypass with 0.1μF//0.01μF low ESR capacitors as close to the VCC pins as possible.
31, 30, 29, 28, 27, 26, 22, 21, 20, 19, 15, 14, 13, 12, 11, 10	Q0, /Q0, Q1, /Q1, Q2, /Q2, Q3, /Q3, Q4, /Q4, Q5, /Q5, Q6, /Q6, Q7, /Q7	100k LVPECL Differential Outputs: Differential buffered output copy of the input signal. The LVPECL output swing is typically 800mV into 50Ω to V _{CC} -2V. Unused output pairs may be left floating with no impact on jitter. See “LVPECL Output” section.
2, 7, 17, 24	GND Exposed Pad	Ground: Ground pins and exposed pad must be connected to the same ground plane.

Absolute Maximum Ratings⁽¹⁾

Supply Voltage (V_{CC}) -0.5V to +4.0V
 Input Voltage (V_{IN}) -0.5V to V_{CC}
 Termination Current
 Source or sink current on V_T ± 100 mA
 Reference Current⁽³⁾
 Source or sink current on V_{REF-AC} ± 1.5 mA
 LVPECL Output Current (I_{OUT})
 Continuous 50mA
 Surge 100mA
 Lead Temperature (soldering, 20 sec.) +260°C
 Storage Temperature (T_s) -65°C to 150°C

Operating Ratings⁽²⁾

Supply Voltage (V_{CC}) +2.375V to +2.625V
 +3.0V to +3.6V
 Ambient Temperature (T_A) -40°C to +85°C
 Package Thermal Resistance⁽⁴⁾
 QFN (θ_{JA})
 Still-Air 35°C/W
 QFN (ψ_{JB})
 Junction-to-Board 20°C/W

DC Electrical Characteristics⁽⁵⁾

$T_A = -40^\circ\text{C}$ to $+85^\circ\text{C}$, unless otherwise stated.

Symbol	Parameter	Condition	Min	Typ	Max	Units
V_{CC}	Power Supply		2.375	2.5	2.625	V
			3.0	3.3	3.6	V
I_{CC}	Power Supply Current	No load, max. V_{CC}		95	150	mA
R_{IN}	Input Resistance (IN-to- V_T)		45	50	55	Ω
R_{DIFF_IN}	Differential Input Resistance (IN-to-/IN)		90	100	110	Ω
V_{IH}	Input High Voltage (IN, /IN)	Note 6	$V_{CC} - 1.6$		V_{CC}	V
V_{IL}	Input Low Voltage (IN, /IN)		0		$V_{IH} - 0.1$	V
V_{IN}	Input Voltage Swing (IN, /IN)	See Figure 1a.	0.1		1.7	V
V_{DIFF_IN}	Differential Input Voltage Swing IN-/IN	See Figure 1b.	0.2			V
V_{T_IN}	IN-to- V_T (IN, /IN)				1.28	V
V_{REF-AC}	Output Reference Voltage		$V_{CC} - 1.3$ V	$V_{CC} - 1.2$ V	$V_{CC} - 1.1$ V	V

Notes:

1. Permanent device damage may occur if absolute maximum ratings are exceeded. This is a stress rating only and functional operation is not implied at conditions other than those detailed in the operational sections of this data sheet. Exposure to absolute maximum ratings conditions for extended periods may affect device reliability.
2. The data sheet limits are not guaranteed if the device is operated beyond the operating ratings.
3. Due to the limited drive capability use for input of the same package only.
4. Package Thermal Resistance assumes exposed pad is soldered (or equivalent) to the devices most negative potential on the PCB. θ_{JA} and ψ_{JB} values are determined for a 4-layer board in still air, unless otherwise stated.
5. The circuit is designed to meet the DC specifications shown in the above table after thermal equilibrium has been established.
6. V_{IH} (min) not lower than 1.2V.

LVPECL Outputs DC Electrical Characteristics⁽⁷⁾

$V_{CC} = 2.5V \pm 5\%$ or $3.3V \pm 10\%$; $T_A = -40^\circ C$ to $+85^\circ C$; $R_L = 50\Omega$ to $V_{CC} - 2V$, unless otherwise stated.

Symbol	Parameter	Condition	Min	Typ	Max	Units
V_{OH}	Output HIGH Voltage Q, /Q		$V_{CC} - 1.145$		$V_{CC} - 0.895$	V
V_{OL}	Output LOW Voltage Q, /Q		$V_{CC} - 1.945$		$V_{CC} - 1.695$	V
V_{OUT}	Output Voltage Swing Q, /Q	See Figure 1a.	500	800		mV
$V_{DIFF-OUT}$	Differential Output Voltage Swing Q, /Q	See Figure 1b.	1000	1600		mV

Note:

7. The circuit is designed to meet the DC specifications shown in the above table after thermal equilibrium has been established.

AC Electrical Characteristics⁽⁸⁾

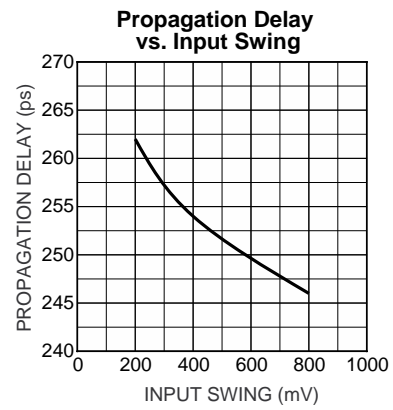
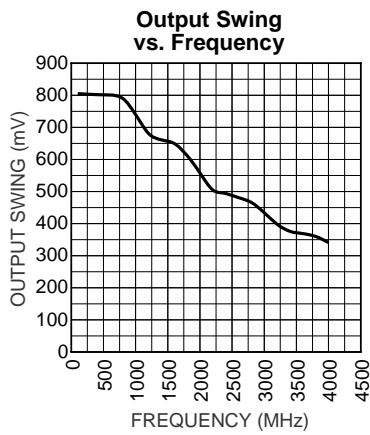
$V_{CC} = 2.5V \pm 5\%$ or $3.3V \pm 10\%$; $T_A = -40^\circ C$ to $+85^\circ C$, $R_L = 50\Omega$ to $V_{CC} - 2V$, unless otherwise stated.

Symbol	Parameter	Condition	Min	Typ	Max	Units
f_{MAX}	Maximum Operating Frequency	$V_{OUT} \geq 400mV$	2.0	3.0		GHz
t_{PD}	Propagation Delay (IN-to-Q)		180	260	380	ps
T_{pd} Tempco	Differential Propagation Delay Temperature Coefficient			115		fs/ $^\circ C$
T_{skew}	Output-to-Output Skew	Note 9			30	ps
	Part-to-Part Skew	Note 10			150	
t_{Jitter}	RMS Phase Jitter	Output = 25MHz Integration Range 12kHz – 20MHz		710		fs
t_R, t_F	Output Rise/Fall Time (20% to 80%)	At full output swing.	75	130	200	ps

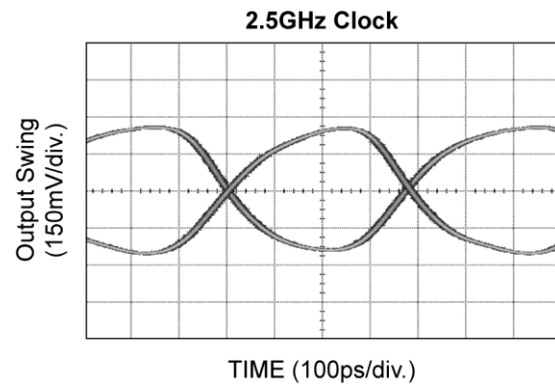
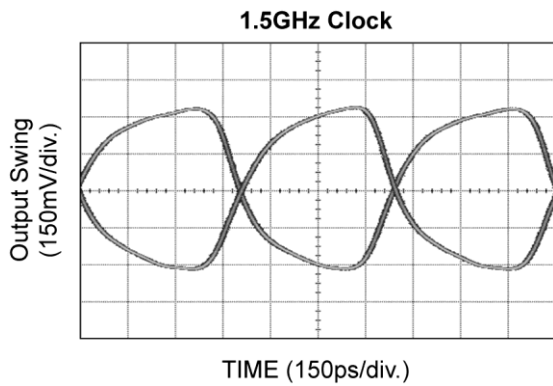
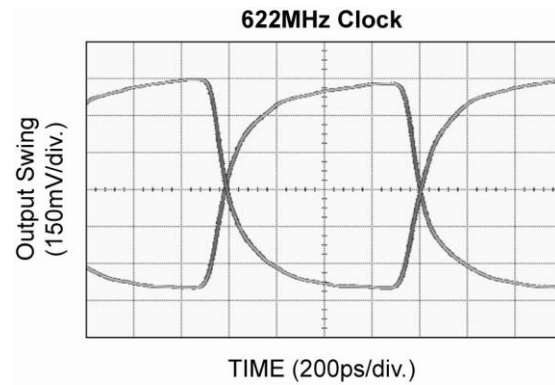
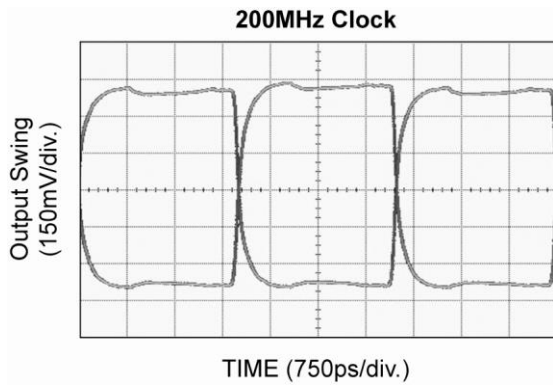
Notes:

8. High-frequency AC-parameters are guaranteed by design and characterization.
9. Output-to-output skew is measured between outputs under identical conditions.
10. Part-to-part skew is defined for two parts with identical power supply voltages at the same temperature and with no skew of the edges at the respective inputs. Part-to-part skew includes variation in t_{pd} .

Typical Operating Characteristics



Functional Characteristics



Singled-Ended and Differential Swings

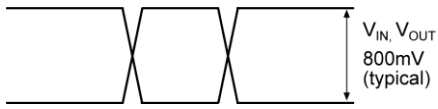


Figure 1a. Single-Ended Voltage Swing

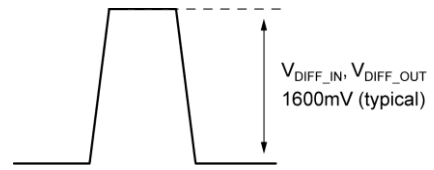
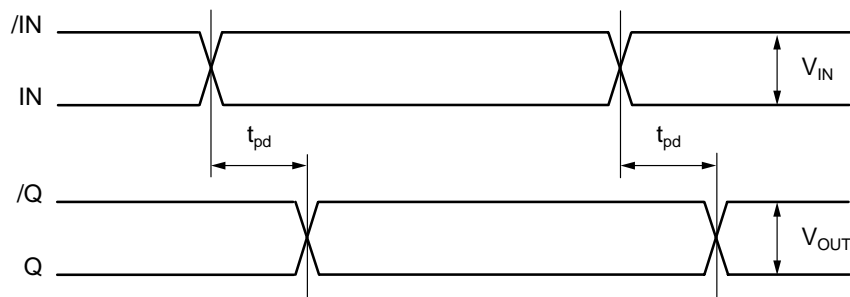


Figure 1b. Differential Voltage Swing

Timing Diagram



Input and Output Stages

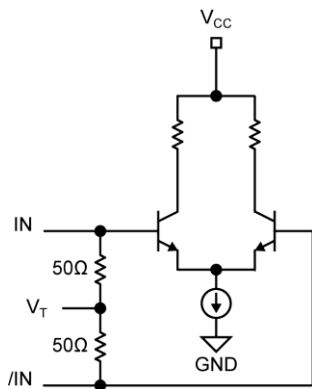


Figure 2a. Simplified Differential Input Stage

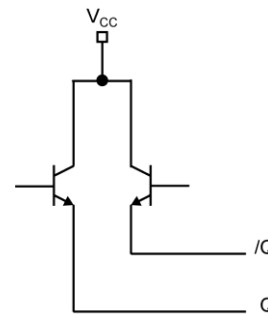


Figure 2b. Simplified LVPECL Output Stage

Input Interface Applications

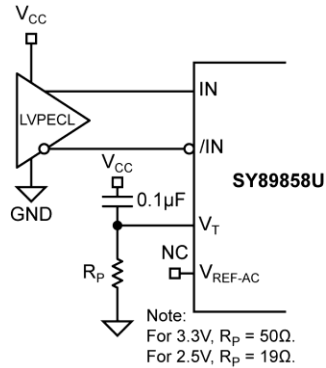


Figure 3a. LVPECL Interface (DC-Coupled)

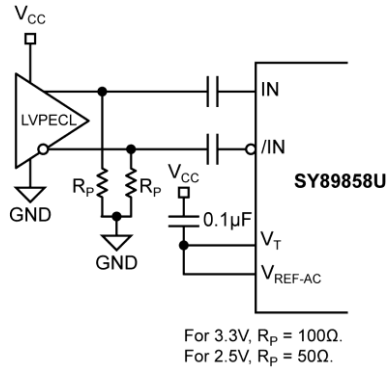
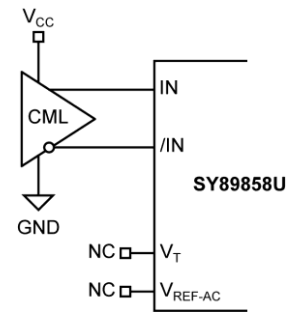


Figure 3b. LVPECL Interface (AC-Coupled)



Option: may connect V_T to V_{CC}

Figure 3c. CML Interface (DC-Coupled)

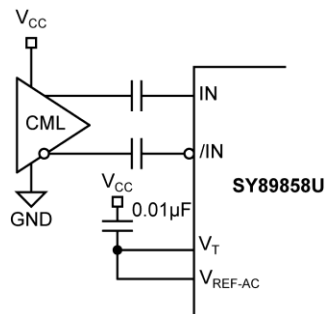


Figure 3d. CML Interface (AC-Coupled)

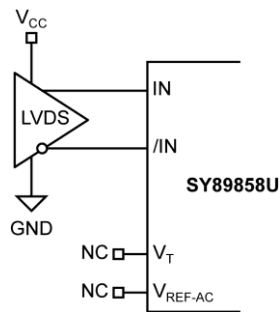


Figure 3e. LVDS Interface (DC-Coupled)

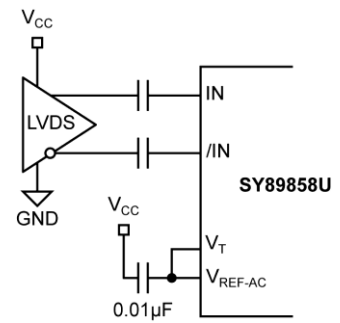


Figure 3f. LVDS Interface (AC-Coupled)

LVPECL Output Interface Applications

LVPECL has high input impedance, and very low output impedance (open emitter), and small signal swing which results in low EMI. LVPECL is ideal for driving 50Ω and 100Ω controlled impedance transmission lines. There are several techniques for terminating the LVPECL output: Parallel

Termination-Thevenin Equivalent, Parallel Termination (3-resistor), and AC-coupled Termination. Unused output pairs may be left floating. However, single-ended outputs must be terminated, or balanced.

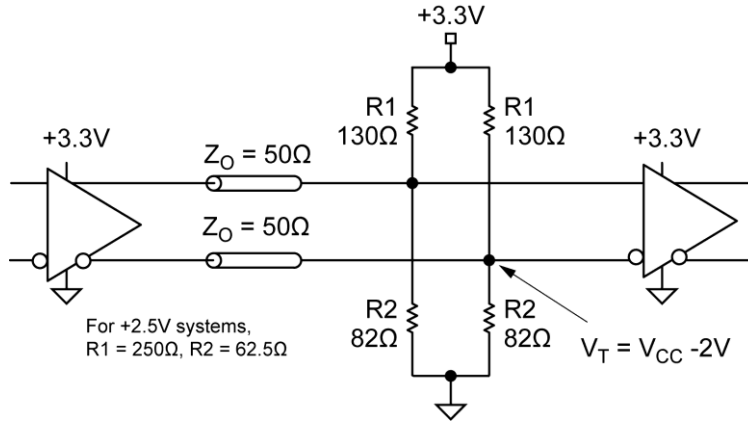
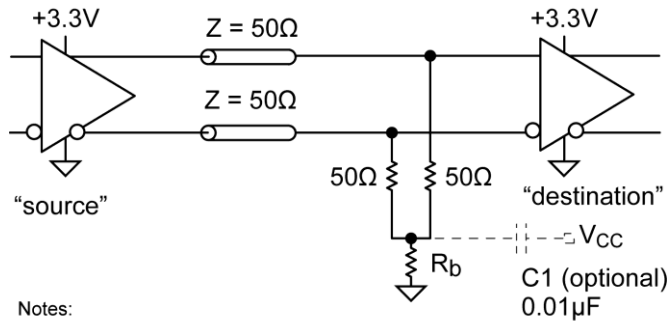


Figure 4a. Parallel Termination-Thevenin Equivalent



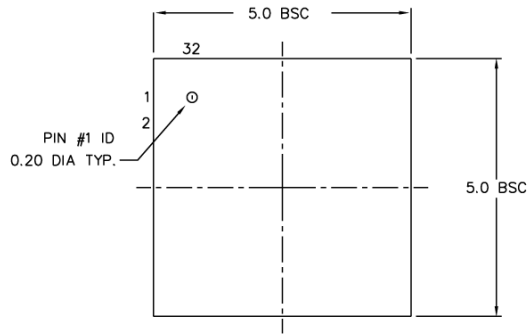
- Notes:
1. Power-saving alternative to Thevenin termination.
 2. Place termination resistors as close to destination inputs as possible.
 3. R_b resistor sets the DC bias voltage, equal to V_T .
 4. For 2.5V systems, $R_b = 19\Omega$, For 3.3V systems, $R_b = 50\Omega$

Figure 4b. Parallel Termination (3-Resistor)

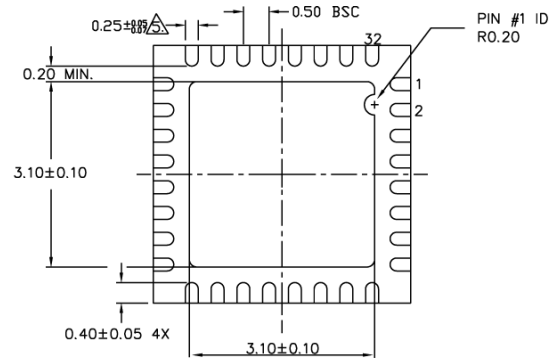
Related Product and Support Documentation

Part Number	Function	Datasheet Link
SY58032U	Ultra-Precision 1:8 LVPECL Fanout Buffer w/Internal Termination	www.micrel.com/product-info/products/sy58032u.shtml
HBW Solutions	New Products and Applications	www.micrel.com/product-info/products/solutions.shtml

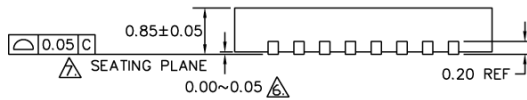
Package Information



TOP VIEW



BOTTOM VIEW



SIDE VIEW

- NOTE:
1. ALL DIMENSIONS ARE IN MILLIMETERS.
 2. MAX. PACKAGE WARPAGE IS 0.05 mm.
 3. MAXIMUM ALLOWABLE BURRS IS 0.076 mm IN ALL DIRECTIONS.
 4. PIN #1 ID ON TOP WILL BE LASER/INK MARKED.
- ⚠ DIMENSION APPLIES TO METALIZED TERMINAL AND IS MEASURED BETWEEN 0.20 AND 0.25 mm FROM TERMINAL TIP.
- ⚠ APPLIED ONLY FOR TERMINALS.
- ⚠ APPLIED FOR EXPOSED PAD AND TERMINALS.

32-Pin (5mm x 5mm)

Package Notes:

1. Package meets Level 2 Moisture Sensitivity Classification.
2. All parts are dry-packaged before shipment.
3. Exposed pad must be soldered to a ground for proper thermal management.

MICREL, INC. 2180 FORTUNE DRIVE SAN JOSE, CA 95131 USA
 TEL +1 (408) 944-0800 FAX +1 (408) 474-1000 WEB <http://www.micrel.com>

The information furnished by Micrel in this data sheet is believed to be accurate and reliable. However, no responsibility is assumed by Micrel for its use. Micrel reserves the right to change circuitry and specifications at any time without notification to the customer.

Micrel Products are not designed or authorized for use as components in life support appliances, devices or systems where malfunction of a product can reasonably be expected to result in personal injury. Life support devices or systems are devices or systems that (a) are intended for surgical implant into the body or (b) support or sustain life, and whose failure to perform can be reasonably expected to result in a significant injury to the user. A Purchaser's use or sale of Micrel Products for use in life support appliances, devices or systems is a Purchaser's own risk and Purchaser agrees to fully indemnify Micrel for any damages resulting from such use or sale.

© 2004 Micrel, Incorporated.