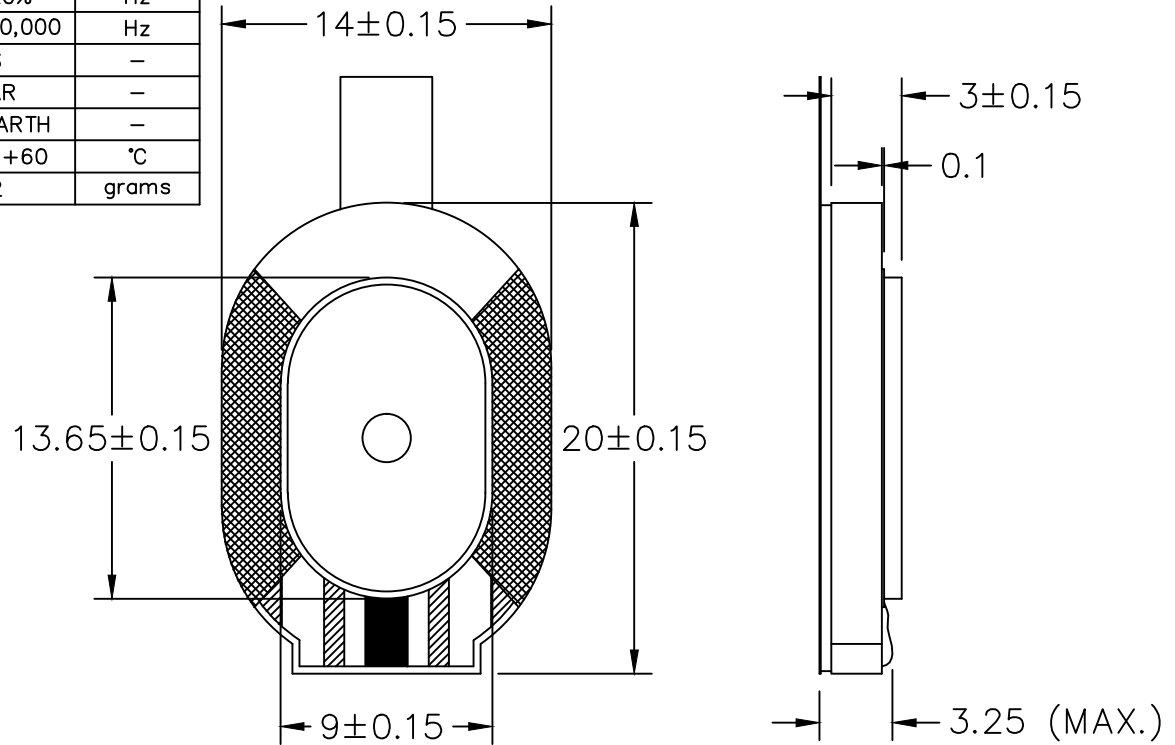


THIS DOCUMENT CONTAINS DATA PROPRIETARY TO PROJECTS UNLIMITED, INC. ANY USE OR REPRODUCTION, IN ANY FORM, WITHOUT PRIOR WRITTEN PERMISSION OF PROJECTS UNLIMITED, INC. IS PROHIBITED.  
© 2005, Projects Unlimited Inc.

SPECIFICATIONS

PARAMETERS	VALUES	UNITS
RATED INPUT POWER	0.5	W
MAX INPUT POWER	1	W
IMPEDANCE	8±15%	OHM
OUTPUT SPL @ 0.5W/0.1M (AT 0.8, 1.0, 1.2, 1.5 kHz)	94±3	dB
DISTORTION (MAX.)	5%	-
RESONANT FREQUENCY	750±20%	Hz
FREQUENCY RANGE	400 ~ 20,000	Hz
HOUSING MATERIAL	ABS	-
CONE MATERIAL	MYLAR	-
MAGNET MATERIAL	RARE EARTH	-
OPERATING TEMPERATURE	-25 ~ +60	°C
WEIGHT	1.32	grams


REVISIONS			
LTR	DESCRIPTION	DATE	APPROVED
-	RELEASED FROM ENGINEERING	5/13/11	



NOTES:

- ALL DIMENSIONS ARE IN MILLIMETERS.
- SPECIFICATION SUBJECT TO CHANGE OR WITHDRAWAL WITHOUT NOTICE.
- THIS PART IS RoHS 2002/95/EC COMPLIANT.

FILE NAME  
AS02008MO-R.DWG

UNLESS OTHERWISE SPECIFIED: DIMENSIONS ARE IN MILLIMETERS, TOLERANCES ARE ±0.5 AND ANGLES ARE ±3°.		 <p>3541 Stop Eight Road Dayton, Ohio 45414</p>
APPROVALS	DATE	
DRAWN <i>J.D.</i>	5/11	<p><b>SPEAKER</b></p> <p>DRAWING NO. AS02008MO-R</p>
CHECKED <i>M.L.</i>	5/11	
APPROVED <i>B.R.</i>	5/11	
SCALE: N.T.S.		SHEET 1 OF 1