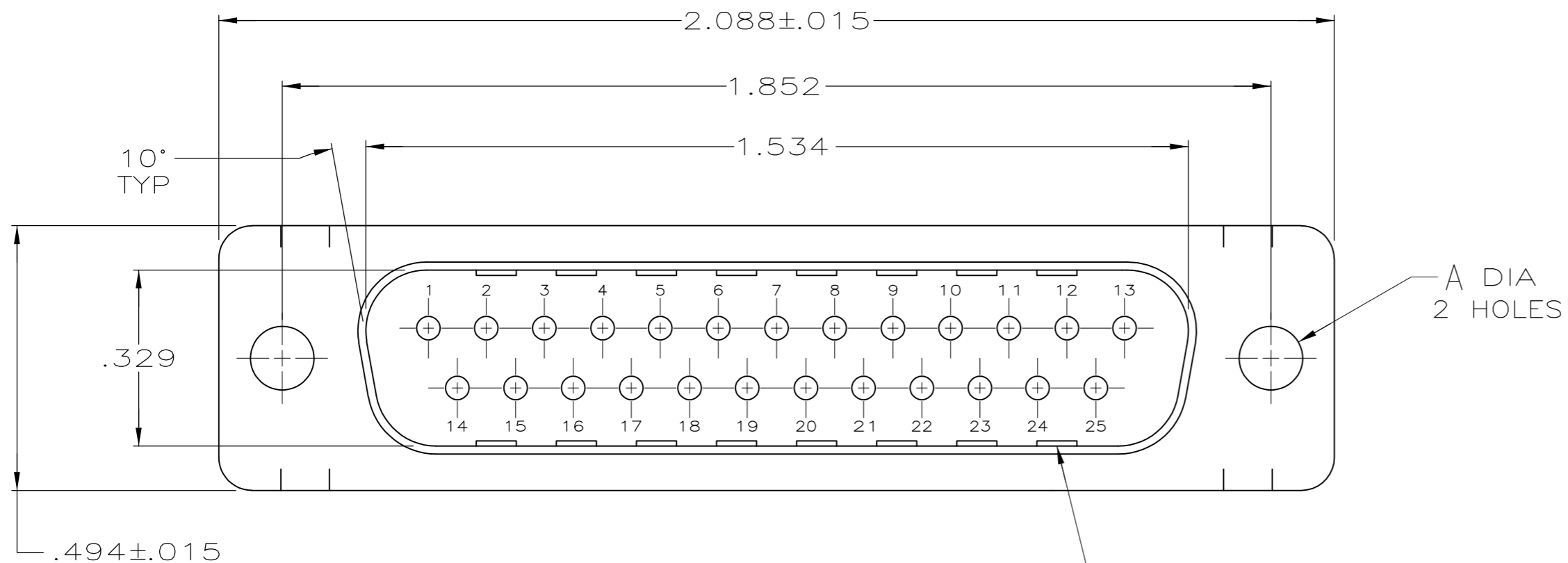


THIS DRAWING IS UNPUBLISHED. RELEASED FOR PUBLICATION
 © COPYRIGHT - By - ALL RIGHTS RESERVED.

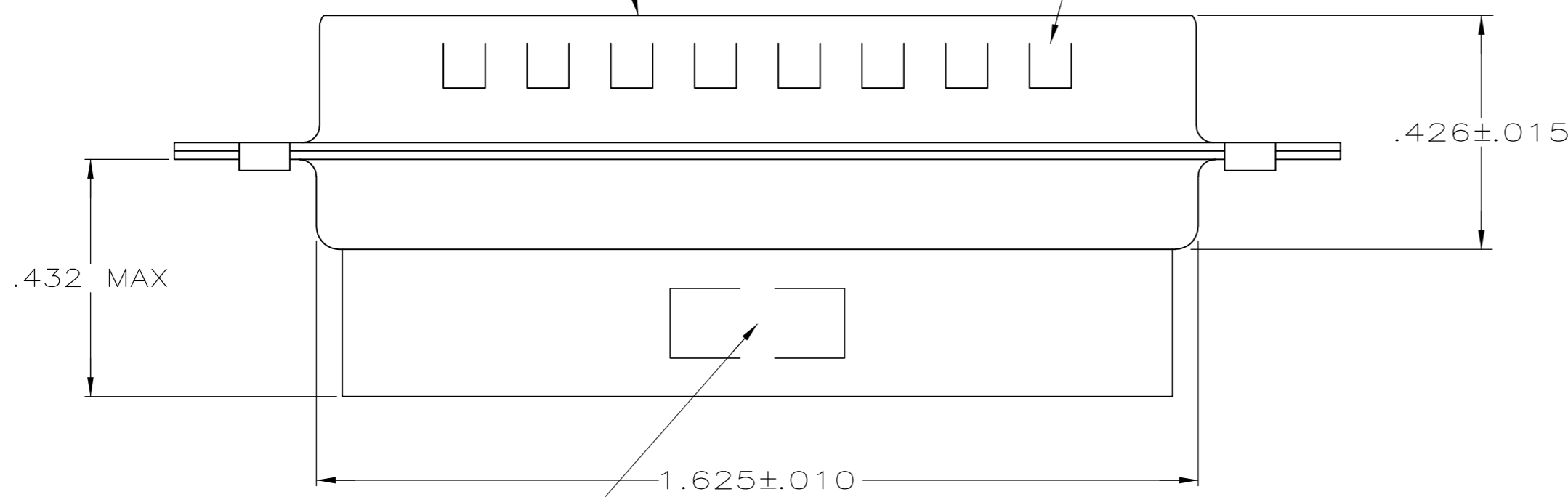
LOC		DIST		REVISIONS			
P	LTR	DESCRIPTION	DATE	DWN	APVD		
GP	00	H	REVISD PER ECO-11-002006	11APR2011	CJV	CWR	



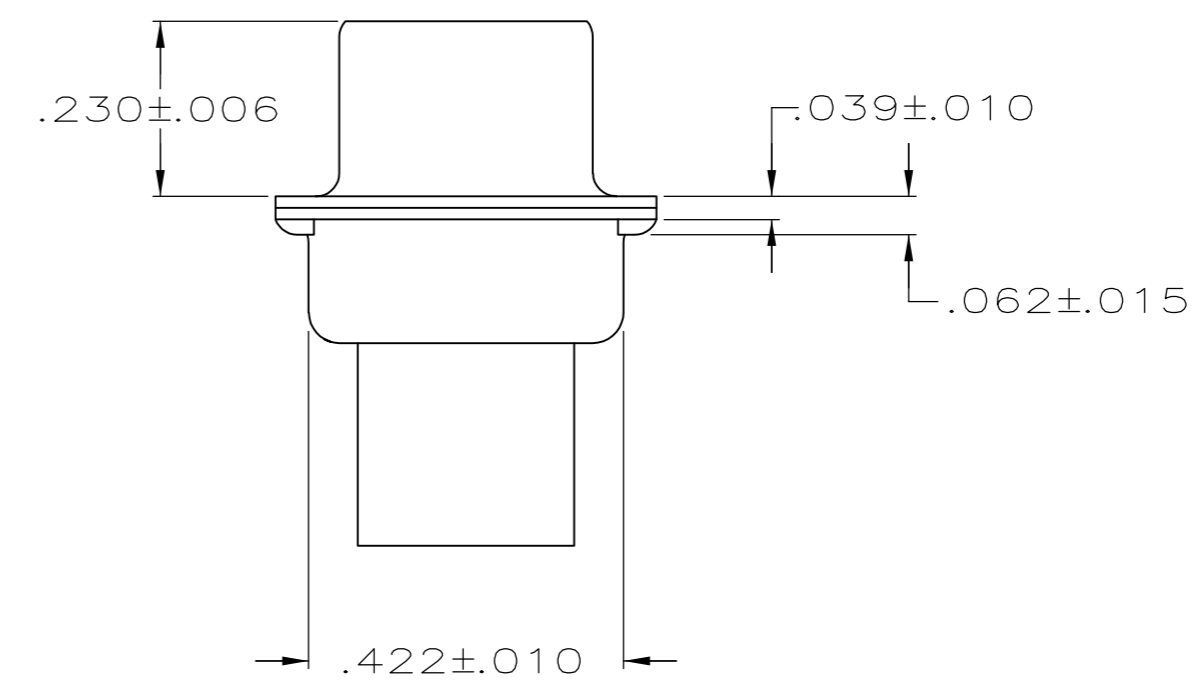
A DIA
2 HOLES

GROUNDING INDENTS
SEE TABLE

MATING FACE



"AMP", PART NO. & DATE CODE, MARKED
IN AREA INDICATED, ON FAR SIDE



- CONNECTOR ACCEPTS SIZE 20 DF PIN CONTACTS, RETENTION TINES ARE AN INTEGRAL PART OF INSERT.
- CONNECTOR COMPLIES WITH 108-40005 WHERE APPLICABLE.
- MOLDED PARTS: NYLON, FLAME RETARDANT, 94V-0 RATED, GLASS FILLED, BLACK.
- SHELLS: STEEL PER ASTM A109.
- TIN OR TIN-LEAD PLATED OVER COPPER UNDERPLATE.
- TIN PLATED OVER COPPER UNDERPLATE.

PACKAGING TYPE	SHELL FINISH	GROUNDING INDENTS	A	PART NUMBER
STANDARD	6	NO	.120	207464-7
SMALL PACK	6	YES	.120	207464-6
STANDARD	5	YES	.154	207464-4
STANDARD	5	NO	.154	207464-3
STANDARD	6	YES	.120	207464-2
STANDARD	5	NO	.120	207464-1

THIS DRAWING IS A CONTROLLED DOCUMENT.

DWN	S.WELDON	7-19-85	 TE Connectivity
CHK	J.GERACE	7-29-85	
APVD	-	-	NAME
DIMENSIONS: INCHES			PRODUCT SPEC
TOLERANCES UNLESS OTHERWISE SPECIFIED:			APPLICATION SPEC
0 PLC ± - 1 PLC ± - 2 PLC ± - 3 PLC ± .005 4 PLC ± - ANGLES ± -			SIZE
MATERIAL	FINISH	WEIGHT	CAGE CODE
SEE NOTES	SHELLS: SEE TABLE	-	00779
CUSTOMER DRAWING			DRAWING NO
			207464
SCALE			SHEET
4:1			1 of 1
REV			H