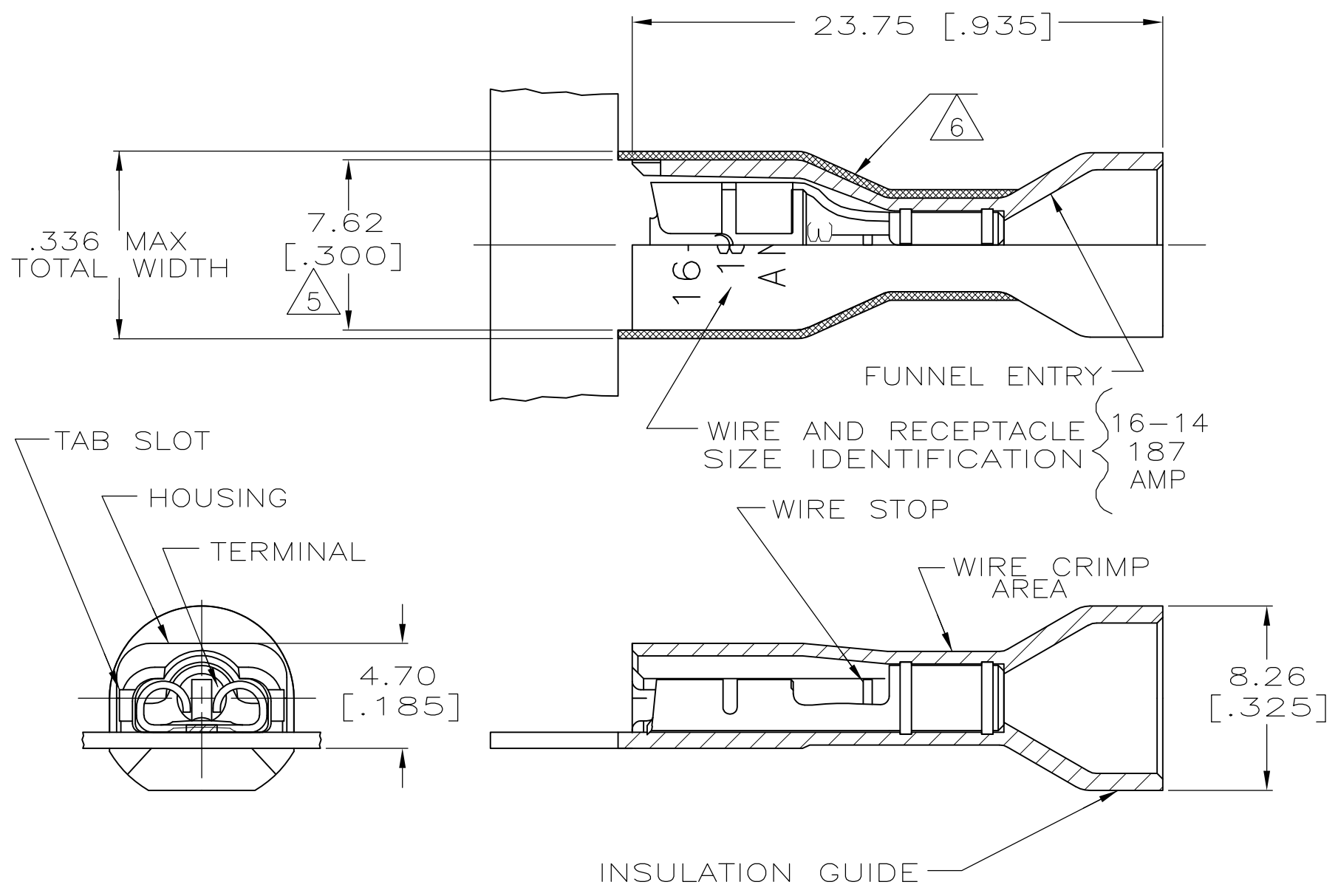


THIS DRAWING IS UNPUBLISHED. RELEASED FOR PUBLICATION  
 © COPYRIGHT - By - ALL RIGHTS RESERVED.

LOC	DIST	REVISIONS			
P	LTR	DESCRIPTION	DATE	DWN	APVD
AF	50	J	REVISED PER ECR-12-005303	23JUL12	KH KR



- 1 MATES WITH .032±.001x.187 TAB
- 2 WIRE STRIP LENGTH .281
- 3 INSULATION SIZE .260 MAX DIA
- 4 CONTINUOUS STRIP ON REELS
- △5 DIMENSION DOES NOT INCLUDE TRIM BURR
- △6 .015 MAX CARRIER TRIM BURR PER SIDE IS ALLOWABLE IN THE SHADED AREA

HOUSING: NYLON, COLOR-BLACK TRANSLUCENT RECEPTACLE: #3 HARD BRASS TIN	9-520276-2
HOUSING: NYLON, COLOR-BLUE TRANSLUCENT RECEPTACLE: #3 HARD BRASS TIN	3-520276-2
MATERIAL & FINISH	PART NO

THIS DRAWING IS A CONTROLLED DOCUMENT.		DWN	JR RUTH	10/12/92	<b>TE Connectivity</b>					
DIMENSIONS: INCHES		CHK	MS FEHER	10/12/92				NAME RECEPTACLE, ASSY, ULTRA-FAST, .187 SERIES, 16-14 AWG		
TOLERANCES UNLESS OTHERWISE SPECIFIED:		APVD	V KARACIEVSCHY	10/12/92						
0 PLC ± - 1 PLC ± - 2 PLC ± 0.38 [.015] 3 PLC ± - 4 PLC ± - ANGLES ± -		WEIGHT						SIZE	CAGE CODE	DRAWING NO
MATERIAL SEE TABLE		FINISH SEE TABLE			A3 00779 C-520276			-		
CUSTOMER DRAWING					SCALE	4:1	SHEET	1 OF 1	REV	J