

# MICRO SWITCH

FREEPORT, ILLINOIS, U.S.A.  
A DIVISION OF HONEYWELL

FED. MFG. CODE 91929

# MAGNET - ACTUATOR

CATALOG LISTING  
**102MG11-BP**

THIS DRAWING COVERS A PROPRIETARY ITEM AND IS THE PROPERTY OF MICRO SWITCH, A DIVISION OF HONEYWELL. THIS DRAWING IS NOT TO BE COPIED OR USED WITHOUT THE APPROVAL OF MICRO SWITCH.

102MG11-BP

M

DRAWING NUMBER

X

X

ISSUE

X4

REPLACES

RELEASE NO. PR-7303

CHECK

CHECK

1 AUG 78

CHECK

1 JULY 78

CHECK

27 JULY 78

CHECK

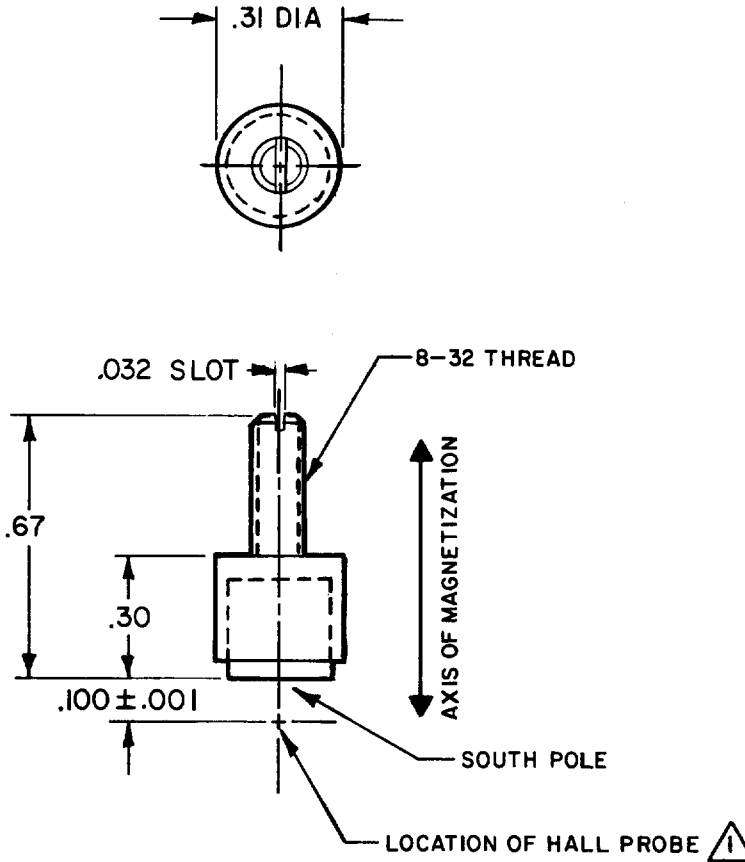
27 JULY 78

CHECK

O-50378-2A

DRAWN

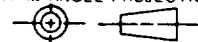
T R F



### NOTES

- ① - READING IN GAUSS AT HALL ELEMENT OF GAUSS METER PROBE AT  $.100 \pm .001$  DISTANCE WILL BE 480 GAUSS MINIMUM AND 600 GAUSS MAXIMUM
- 2 - PACKED 100 PER BOX

THIRD ANGLE PROJECTION



SCALE **2 TO 1**

DO NOT SCALE PRINT

TOLERANCES  
APPLY TO DESIGN UNITS. CONVERSIONS ARE ONLY FOR REFERENCE. UNLESS NOTED, TOLERANCES ARE  $\pm$

	DIM. mm	TOL. mm/in	DIM. in	TOL. mm/in
NO PLACES	X	1/.04		
ONE PLACE	X, X	0.4/.016	X, X	0.8/.03
TWO PLACES	X, XX	0.16/.006	X, XX	0.38/.015
THREE PLACES	X, XXX		X, XXX	0.13/.005
ANGLES				

SI METRIC

US CUSTOMARY

DESIGN UNITS

WEIGHT