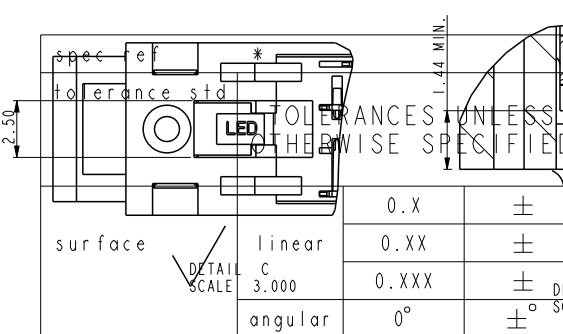
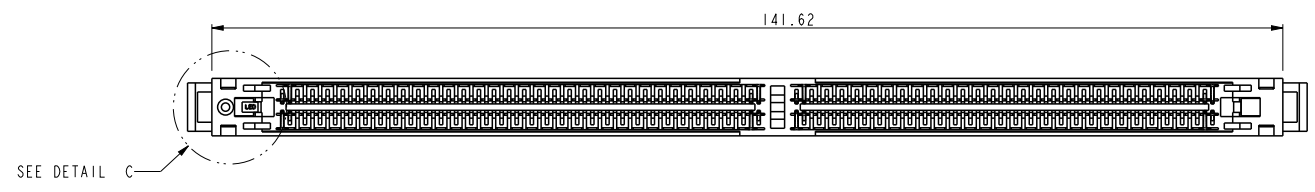
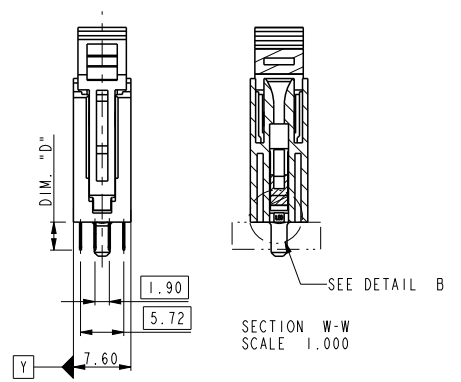
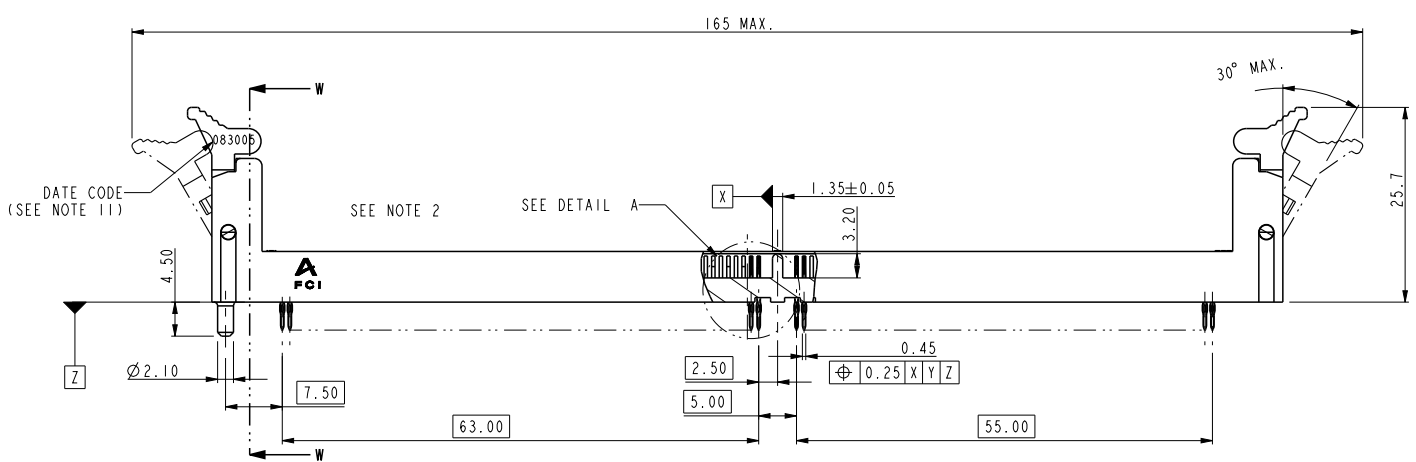
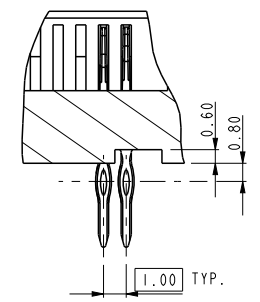
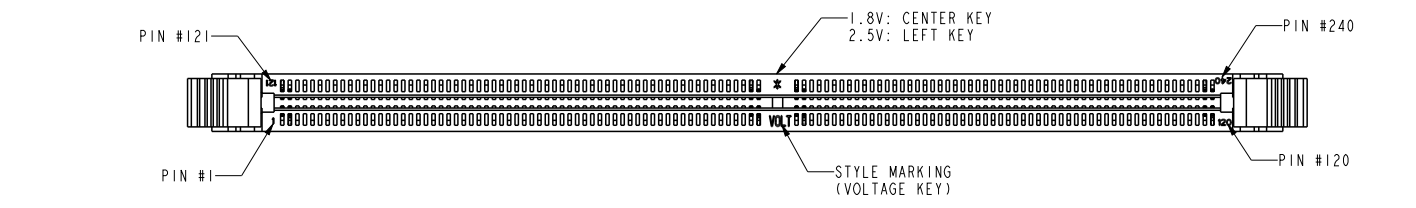


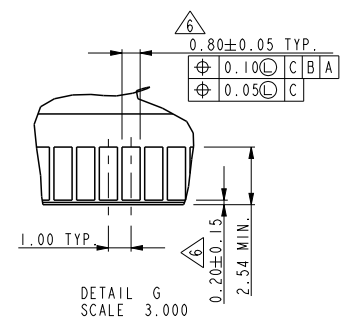
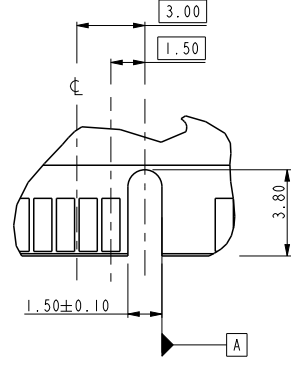
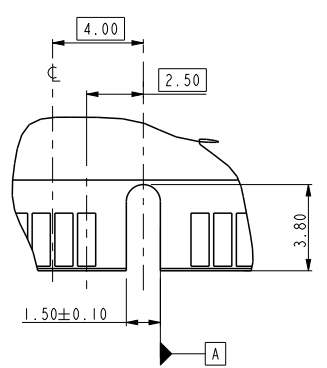
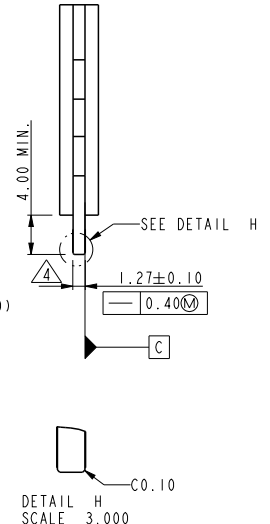
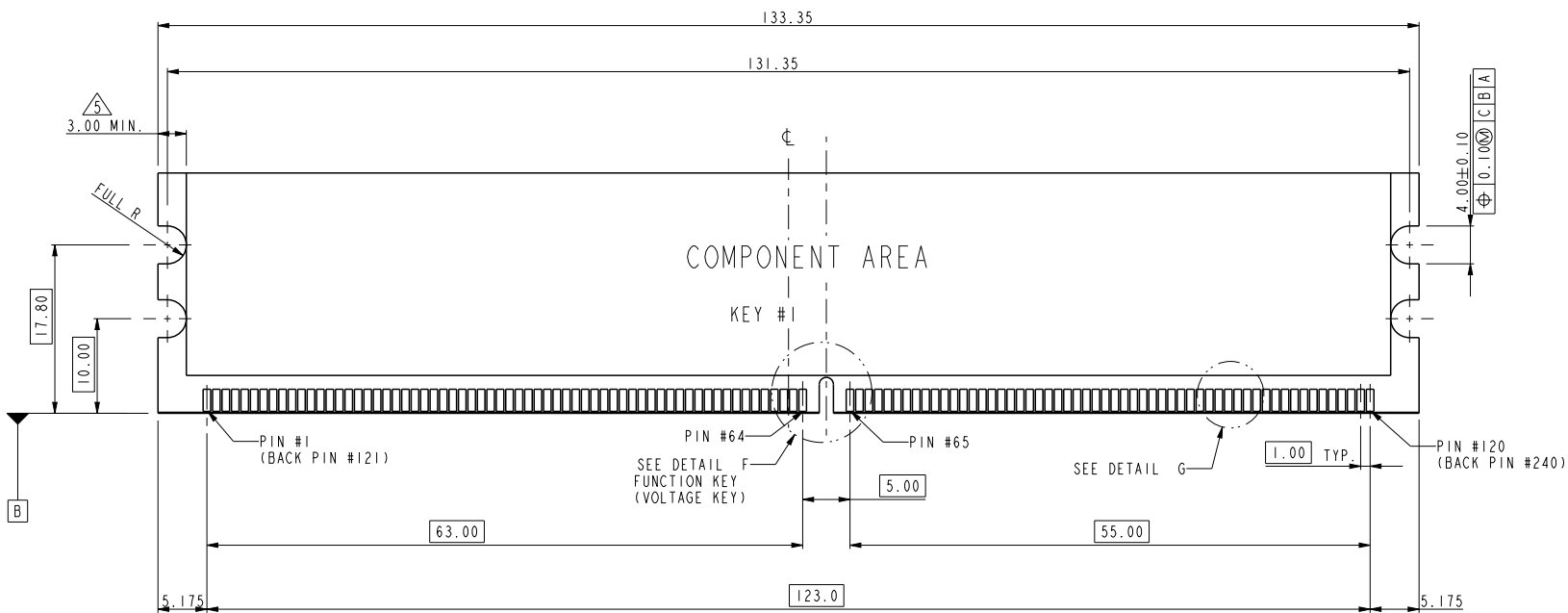


Copyright FCI.



Nickor Zuo		2011/08/23	projection	size A4	scale 0.500								
Nickor Zuo		2011/08/26											
Pei-Ming Zheng		2011/08/26	product family	ecn no ELX-DG-005349-1									
				rel level Released									
<table border="1"> <tr> <td>0.X</td> <td>±</td> </tr> <tr> <td>0.XX</td> <td>±</td> </tr> <tr> <td>0.XXX</td> <td>±</td> </tr> <tr> <td>0°</td> <td>±</td> </tr> </table>			0.X	±	0.XX	±	0.XXX	±	0°	±	title *		rev B
0.X	±												
0.XX	±												
0.XXX	±												
0°	±												
www.fci.com			cat. no. *		dwg no								
Product - Customer Drw				sheet 1 of 4									

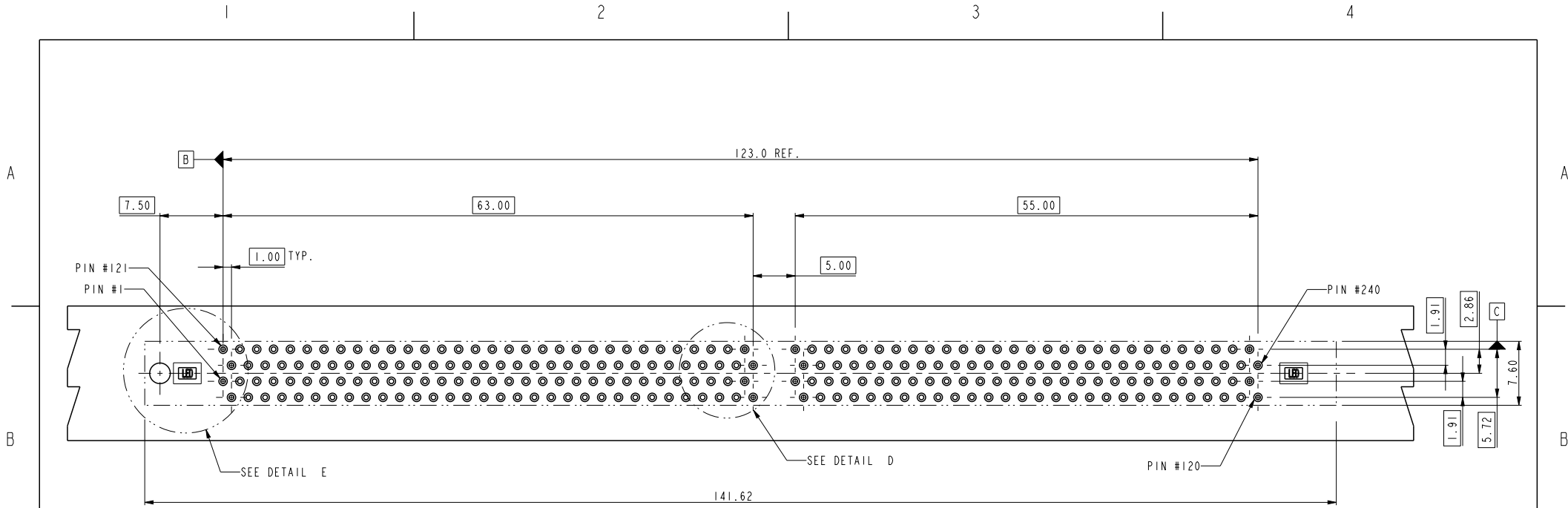
ProjE File - REV C - 2009-06-09



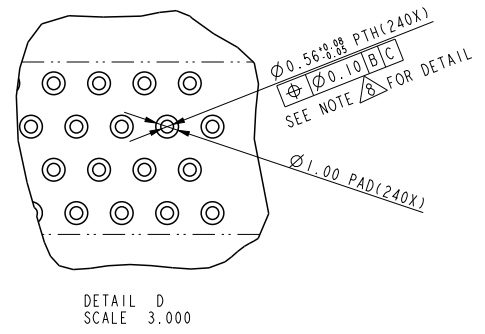
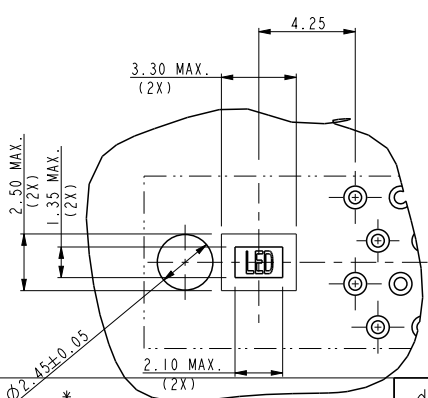
Copyright FCI.

spec ref		KEY POSITION #1		KEY POSIT	Nickor Zuo	2011/08/23	projection	size	scale
tolerance std		TYPE "C"		TYPE	Nickor Zuo	2011/08/26		A4	0.500
		TOLERANCES UNLESS OTHERWISE SPECIFIED		eng	-	-		ecn no	ELX-DG-005349-1
		1. MATERIAL		chr	-	-	product family		rel level
		2. FINISH: SOLDER MASK		abr	Pei-Ming Zheng	2011/08/26			Released
		3. BURR: 0.08 MAX		www.fci.com			dwg no		rev
TYPE "L"	surface	2.5	VOLTAGE	title	*				B
TYPE "C"	near	1.8	VOLTAGE	cat. no.	*		Product - Customer Drw		sheet 2 of 4
SUB KEY POS #1	angular	0°	±°						

Print File - REV C - 2009-06-09



RECOMMEND CIRCUIT BOARD HOLE LAYOUT



spec ref	∅2.45±0.05 *	dr	Nickor Zuo	2011/08/23	projection	size	A4	scale	0.500
tolerance std	TOLERANCE UNLESS OTHERWISE SPECIFIED	eng	Nickor Zuo	2011/08/26		ecn no	ELX-DG-005349-1		
surface	✓	chr	-	-		product family	rel level	Released	
	linear	0.X	±		title * -	dwg no	rev		
		0.XX	±				B		
	angular	0°	±°						
		www.fci.com	cat. no.	*	Product - Customer Drw		sheet 3 of 4		



Copyright FCI.



Copyright FCI.

10072264-□□□□

STYLE: MECHANICAL KEYING
1 : 1.8 VOLT. W/CENTER KEY #1
2 : 2.5 VOLT. W/LEFT KEY #1

REVISE
0

TAIL LENGTH

CODE	DIM. "D"
0	3.30
1	3.70
2	4.20

NOTE:

- MATERIAL:
HOUSING: HIGH PERFORMANCE RESINS, GLASS FILLED UL94V-0 RATED, COLOR: BLACK.
EJECTOR: HIGH PERFORMANCE RESINS, GLASS FILLED UL94V-0 RATED, COLOR: NATURAL.
TERMINAL: COPPER ALLOY.
- FCI LOGO TO BE APPROXIMATELY LOCATED AS SHOWN ON PRINT.
- PRODUCT SPECIFICATION: GS-12-273
- CARD THICKNESS APPLIES ACROSS TABS AND INCLUDES PLATING AND / OR METALIZATION.
- 3.00mm MINIMUM APPLIES TO BOTH 4.00mm WIDE NOTCH LENGTH AND COMPONENT KEEP-OUT AREA.
- LEADING EDGE OF CONTACT PADS SPECIFIED BY THE KEEP OUT ZONE SHALL BE FREE OF BURRS AND EXTERNAL TIE BARS. FOR OPTIMUM PERFORMANCE, THE TIE BAR IS TO BE ON AN INTERNAL LAYER SO THAT THE REMNANT CANNOT CAUSE CONTACT DAMAGE.
- PACKAGING SPECIFICATION: GS-14-528.
- ALL BT Holes SHOULD BE 0.66mm DIA DRILLED AND 0.025mm MIN. ELECTRO-DEPOSITED COPPER THROUGH HOLES WALL.
- THIS PRODUCT MEETS EUROPEAN UNION DIRECTIVES AND OTHER COUNTRY REGULATIONS AS DESCRIBED IN GS-22-008.
- THE HOUSING WILL WITHSTAND EXPOSURE TO 260° PEAK TEMP FOR 20 SECONDS IN A IR REFLOW OVEN.

DATE CODE: X X X X X X X X	±
surface	±
linear	±
YEAR DATE	±
MONTH 0°	±
angular	±

PLATING

CODE	CONTACT	TAIL AREA	UNDERPLATE
2	15u" (0.38um) MIN. GOLD	35u"~100u" Tin PLATING	50u" (1.27um) MIN. NICKEL OVERALL
3	30u" (0.76um) MIN. GOLD		
4	3u" (0.076um) MIN. GOLD		
6	15u" (0.38um) MIN. GOLD (LUBRICATED)	35u"~100u" Tin PLATING	50u" (1.27um) MIN. NICKEL OVERALL
7	30u" (0.76um) MIN. GOLD (LUBRICATED)		
8	3u" (0.076um) MIN. GOLD (LUBRICATED)		
2LF	15u" (0.38um) MIN. GOLD	35u"~100u" Tin PLATING	50u" (1.27um) MIN. NICKEL OVERALL
3LF	30u" (0.76um) MIN. GOLD		
4LF	3u" (0.076um) MIN. GOLD		
6LF	15u" (0.38um) MIN. GOLD (lubricated)	35u"~100u" Tin PLATING	50u" (1.27um) MIN. NICKEL OVERALL
7LF	30u" (0.76um) MIN. GOLD (LUBRICATED)		
8LF	3u" (0.076um) MIN. GOLD (LUBRICATED)		

COLOR OF HOUSING AN EJECTOR

- 0 : BLACK HOUSING + IVORY EJECTOR
- 1 : BLACK HOUSING + AMBER COLOR EJECTOR
- 2 : BLACK HOUSING + BLACK EJECTOR

Nickor Zuo	2011/08/23	projection	size	A4	scale	0.500
Nickor Zuo	2011/08/26		ecn no	ELX-DG-005349-1		
Pei-Ming Zheng	2011/08/26		product family	rel level	Released	
	title *	dwg no	rev	B		
www.fci.com	cat. no.	Product - Customer Drw			sheet 4 of 4	