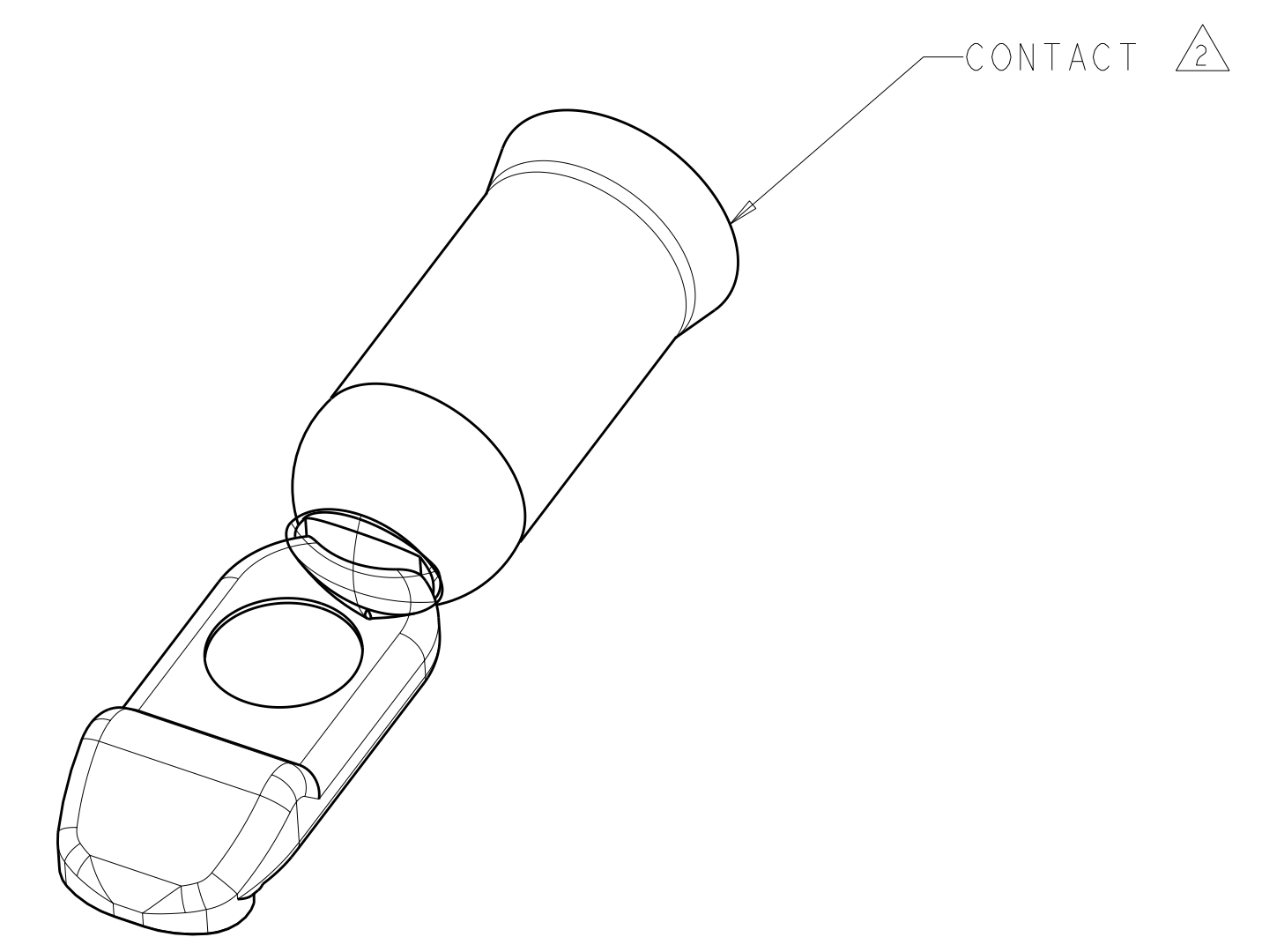
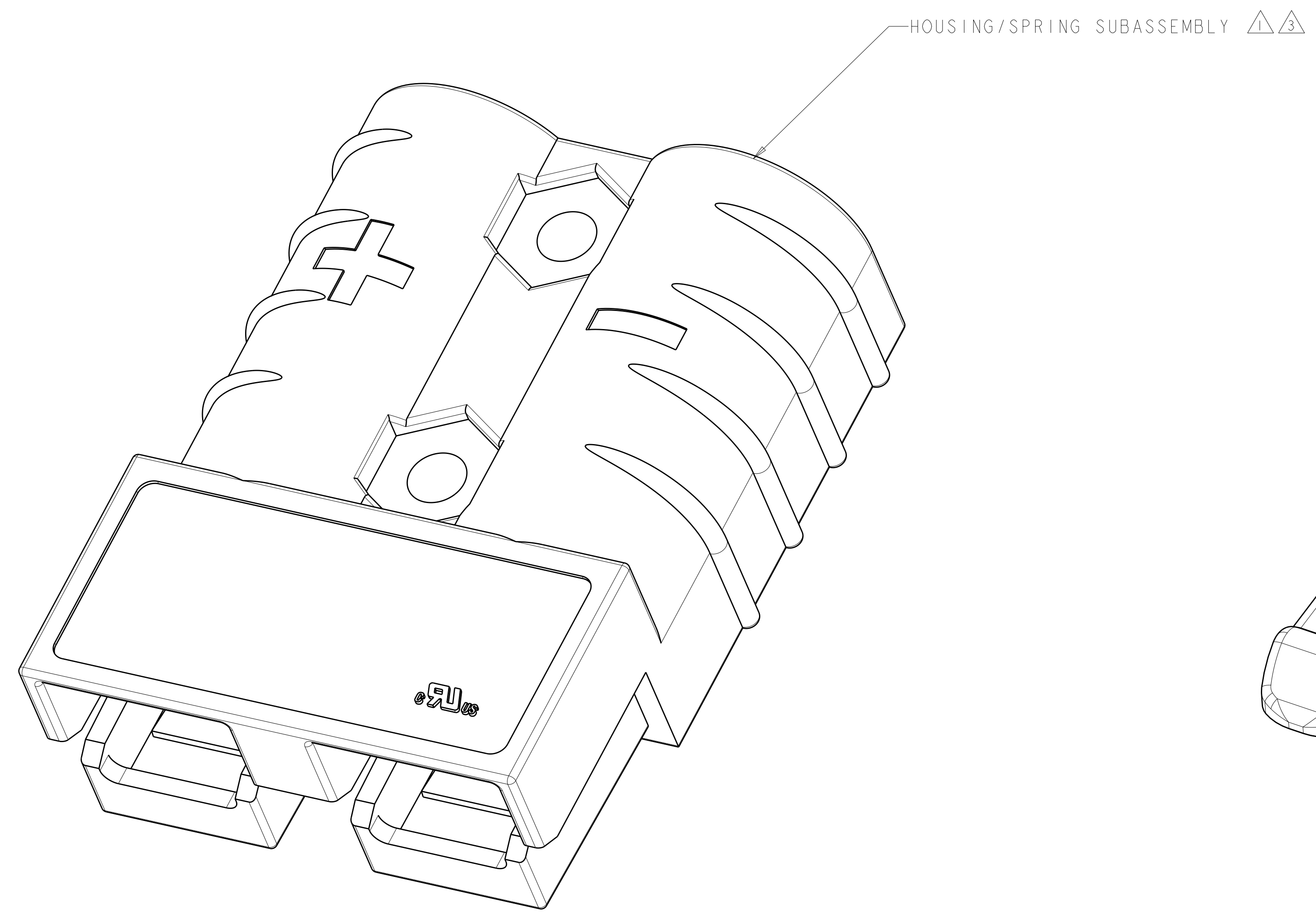


LOC	DIST	REVISIONS					
CM	00	P	LTB	DESCRIPTION	DATE	DWN	APVD
		02		REVISED PER ECR-10-010379	25MAY2010	HMR	JR

- ① HOUSING MATERIAL: POLYCARBONATE UL 94 V-0
- ② CONTACT MATERIAL: COPPER
PLATING: SILVER
- ③ 647892-4 (COLOR GRAY) AND 647892-7 (COLOR BLACK)
KEY DETAIL ARE SHOWN.
- 4. A KIT INCLUDES 1 HOUSING SPRING ASSEMBLY AND 2 CONTACTS.
- 5. THIS PRODUCT HAS PASSED VERIFICATION AND AGENCY APPROVALS TESTING AND IS COMPONENT RECOGNIZED PER UL 1977 AND CSA 22.2. TYCO ELECTRONICS PRODUCT QUALIFICATION TESTING IS NOT YET COMPLETE.



647877-1	647845-8 (YELLOW)	647892-8
647877-1	647845-7 (BLACK)	647892-7
647877-1	647845-5 (BLUE)	647892-5
647877-1	647845-4 (GRAY)	647892-4
647877-1	647845-3 (RED)	647892-3
② CONTACT	① HOUSING/SPRING SUBASSEMBLY	KIT P/N

<small>THIS DRAWING IS UNPUBLISHED. RELEASED FOR PUBLICATION. ALL RIGHTS RESERVED.</small> <small>THIS IS SUBJECT TO CHANGE WITHOUT NOTICE AND WITHOUT OBLIGATION. SHOULD BE CONTACTED FOR THE LATEST REVISION.</small>		DWN SHANE WIESE 15JUN2001 CHK K. KETELSLEGER 15JUN2001 APVD K. KETELSLEGER 15JUN2001	Tyco Electronics Harrisburg, PA 17105-3608
DIMENSIONS: mm 	TOLERANCES UNLESS OTHERWISE SPECIFIED: 0 PLC ± 1 PLC ± 2 PLC ± 3 PLC ± 4 PLC ± ANGLES ± FINISH ±	NAME CONNECTOR KIT, AMP POWER SERIES 50, 6 AWG PRODUCT SPEC - APPLICATION SPEC - WEIGHT - CUSTOMER DRAWING	Tyco Electronics Harrisburg, PA 17105-3608 SIZE CAGE CODE DRAWING NO RESTRICTED TO A1 00779 C=647892 - SCALE 5:1 SHEET 1 OF 1 REV 02