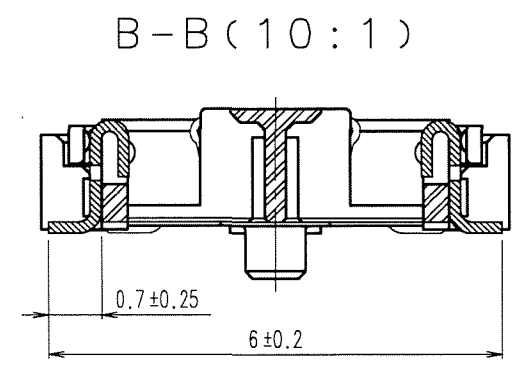
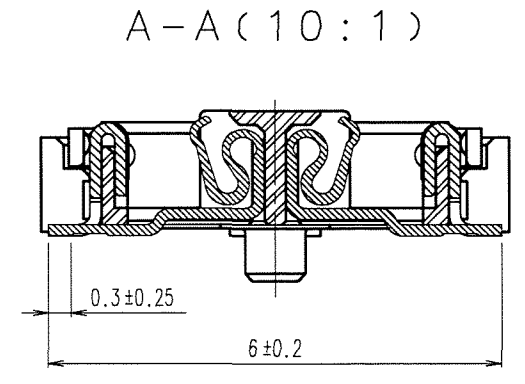
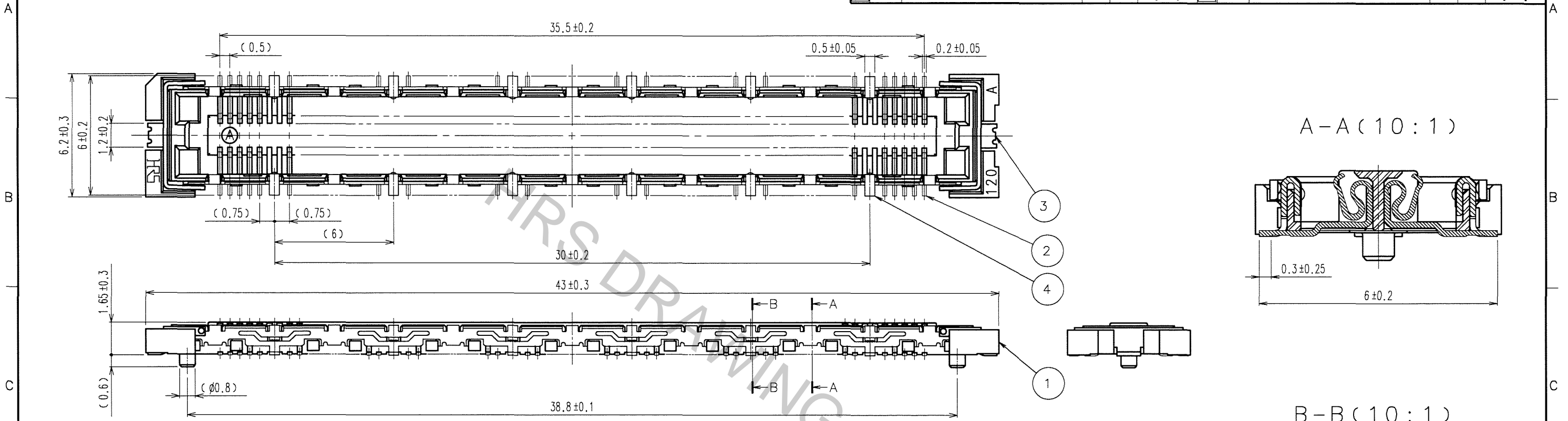
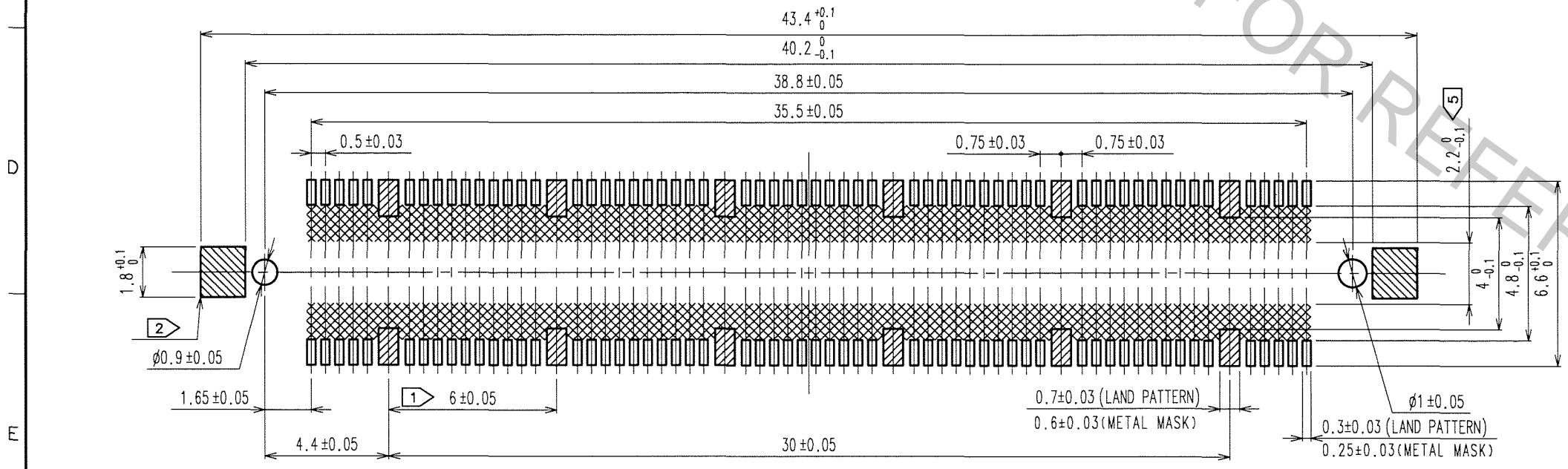


Apr.1.2017 Copyright 2017 HIROSE ELECTRIC CO., LTD. All Rights Reserved.

| COUNT | DESCRIPTION OF REVISIONS | BY | CHKD | DATE | COUNT | DESCRIPTION OF REVISIONS | BY | CHKD | DATE |
|-------|--------------------------|----|------|------|-------|--------------------------|----|------|------|
| △ | | | | | △ | | | | |
| △ | | | | | △ | | | | |
| △ | | | | | △ | | | | |



RECOMMENDED LAND PATTERN DIMENSION OF PCB



| | | |
|---|-----------------|----------------------------------|
| 4 | PHOSPHOR BRONZE | TIN PLATING |
| 3 | PHOSPHOR BRONZE | TIN PLATING |
| 2 | PHOSPHOR BRONZE | CONTACT AREA : GOLD 0.1μ m min. |
| | | LEAD AREA : GOLD FLASH |
| | | UNDER PLATING : NICKEL 1μ m min. |

| NO. | MATERIAL | FINISH, REMARKS | NO. | MATERIAL | FINISH, REMARKS |
|-----|----------|-----------------|-----|----------|-----------------|
| 1 | LCP | BEIGE UL94V-0 | | | |

| | | | | | |
|----------------------|-------------------------------|-------------------------|-----------------------------------|----------------------|----------|
| CODE NO. (OLD) CL | DRAWN S.KAMIGA | DESIGNED H. Nakamura | CHECKED H. Ogiwara | APPROVED H. Okawa | RELEASED |
| | 06.04.24 | 06.04.26 | 06.04.27 | 06.04.27 | |
| SCALE 5 : 1 | DRAWING NO. EDC3-152111-25 | | PART NO. FX11LA-120S/12-SV(71) | | |
| UNITS mm | HRS HIROSE ELECTRIC CO.,LTD. | | CODE NO. CL573-0105-0-71 | | 1/1 |

- NOTES
- ① 12 HATCHED PARTS:GROUND CIRCUIT.
 - ② 2 HATCHED PARTS:GROUND CIRCUIT.
 - ③ SMT LEAD-COPLANARITY:0.1 MAX.
 - ④ THIS PRODUCT HAS NO POLARITY TO PATTERN FOR MOUNTING.
 - ⑤ MAKE SURE WIDTH OF PATTERN IS WITHIN THAT OF LAND ,OR LEAD MAY TOUCH PATTERN.(THIS APPLIES TO HATCHED AREA.)
 - ⑥ THE DIMENSIONS IN PARENTHESES ARE FOR REFERENCE.

TO
PCK