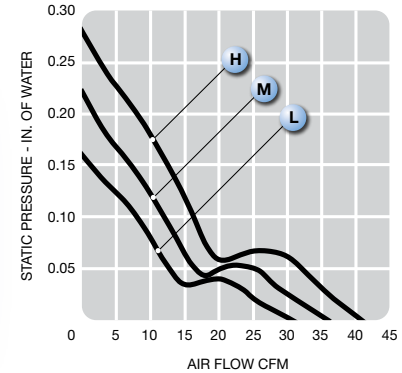
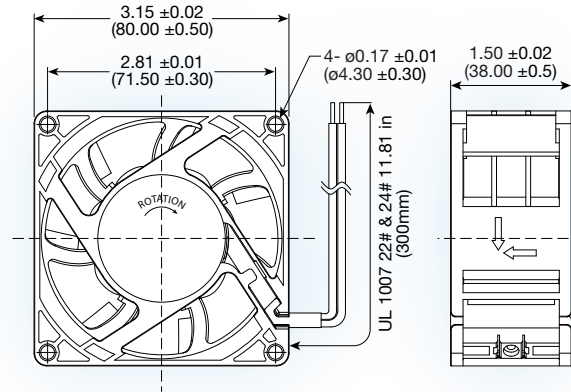




# LPH80A99 series



**(80 x 80 x 38 mm)**

3.15 x 3.15 x 1.50 inches

Operating voltage: 100 to 240 VAC

Construction: plastic frame and impeller

Bearing option: ball bearing

Motor: electronically commutated

Air flow: exhaust over struts

Connection: lead wire UL1007 24AWG  
or terminal

Protection: auto restart

Options: tachometer, PWM,  
environmental protection

Model No.	Rated Voltage V	Freq. HZ	Input Power W	Rated Cur. A	Speed RPM	Air Volume		Max. Static Pressure (H <sub>2</sub> O)		Sound Noise dB A	Weight g
						M <sup>3</sup> /Min.	CFM	MM	INCH		
LPH80A99-L	100-240	50/60	2.7	0.04	3000	0.87	31	4.1	0.16	24	162
LPH80A99-M	100-240	50/60	3.2	0.06	3500	1.01	36	5.6	0.22	27	162
LPH80A99-H	100-240	50/60	5.5	0.09	4000	1.15	41	7.1	0.28	31	162