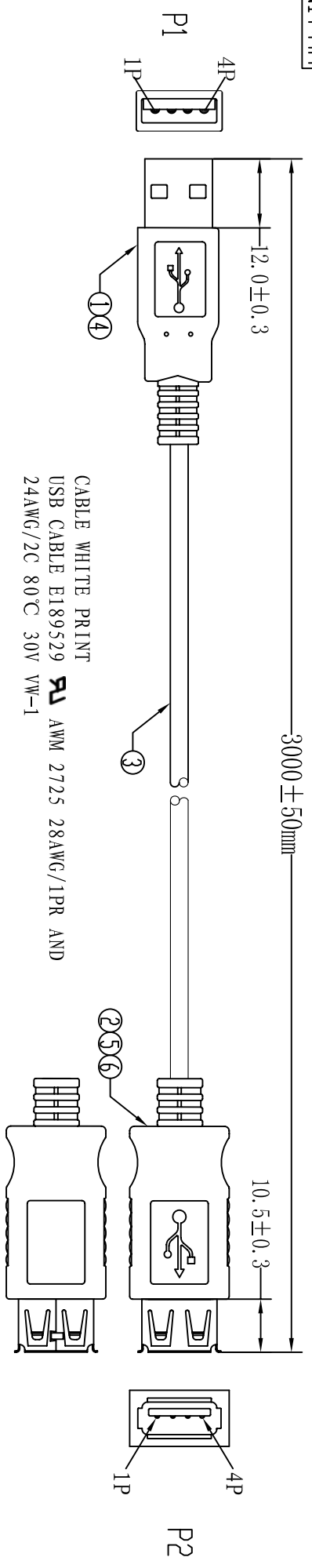
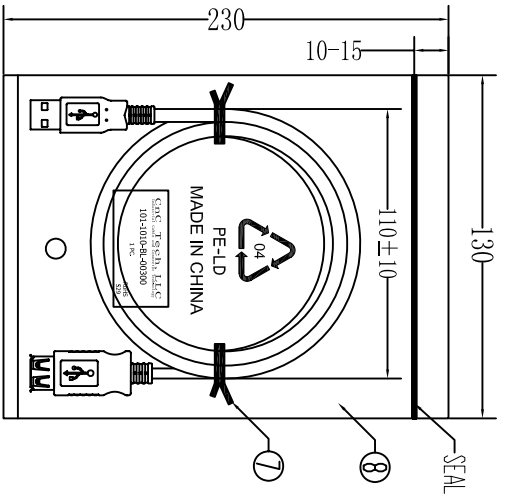
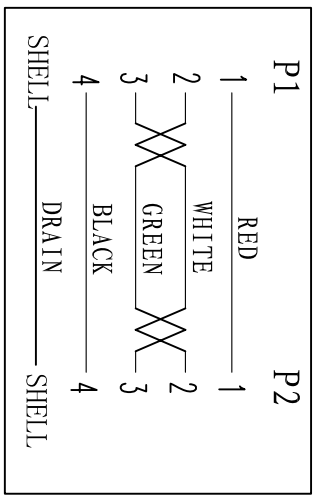


UNIT:mm



PIN ASSIGNMENT:



**Electrical test:**  
 1. 100% short, open, miswire test  
 2. Conduct resistance: 2 Ohm(max)  
 3. Insulation resistance: 10Mohm(min)  
 4. dielectric test: DC 300V

⑨	PE BAG	1/10	CLEAR SIZE: 280*330*0.05mm PRINT BLACK"MADE IN CHINA"+ "10PCS".
⑧	PE BAG	1	CLEAR SIZE: 130*230*0.05mm PRINT BLACK"MADE IN CHINA"+ "1PC".
⑦	TIE	2	BLACK L=100mm
⑥	IN JACKET	3g	CLEAR LDPE (MOULD NO: NM-027)
⑤	OUT JACKET	7g	BLACK PVC-40P (MOULD NO: MW-83)
④	OUT JACKET	6g	BLACK PVC-40P (MOULD NO: MW-40)
③	CABLE	1	BLACK USB1. 1 U12725 28#/1P+24#/2C+A+B3 OD: 4.7mm L=3000±10mm
②	CONN	1	USB A FEMALE SHELL: NICKEL PIN G/F SHORT TYPE INSULATOR COLOR: WHITE
①	CONN	1set	USB A MALE SHELL: NICKEL PIN G/F 4PCS TYPE INSULATOR COLOR: WHITE
NL	NAME	QTY	SPECIFICATION

**CNC Tech, LLC**  
 Industrial Cable and Connector Technology

DRAWN	ZHONGHS	DRAWING NO	VG/LJQ-094-009-A
CHECKED		CUSTOMER	
APPROVAL		ITEM NO.	101-1010-BL-00300
DECIDED		DATE	2012-02-14
VERSIONS/EDITION	A/0	PROJECTION	

A

B

C

D

A

B

C

D

4

3

2

1

4

3

2

1