

DRAWING MADE IN AMERICAN PROJECTION

©1973 BY AMP INCORPORATED. ALL RIGHTS RESERVED. AMP PRODUCTS COVERED BY PATENTS AND/OR PATENTS PENDING.

THIS PRODUCT DESIGNED AND BUILT BY AMP INCORPORATED. NO LICENSE TO USE THAT DESIGN IN MANUFACTURE, OR TO USE ANY ISSUED OR PENDING PATENTS WHICH ARE INVOLVED, IS IMPLIED.

Unpublished copy not to be reproduced nor published without written permission of Amp Incorporated.

REVISIONS				
ZONE	LTR	DESCRIPTION	DATE	APPROVED
	A	UP-DATED ECN 8365 RGR	8-16-78	MJ
	B	OBSOLETE-1 THRU-4 ECN 531,22	11-13-86	AB
	C	REV PER ECN S-3960	4-14	CFB
		REV PER ECN S-396B	87	

D

D

C

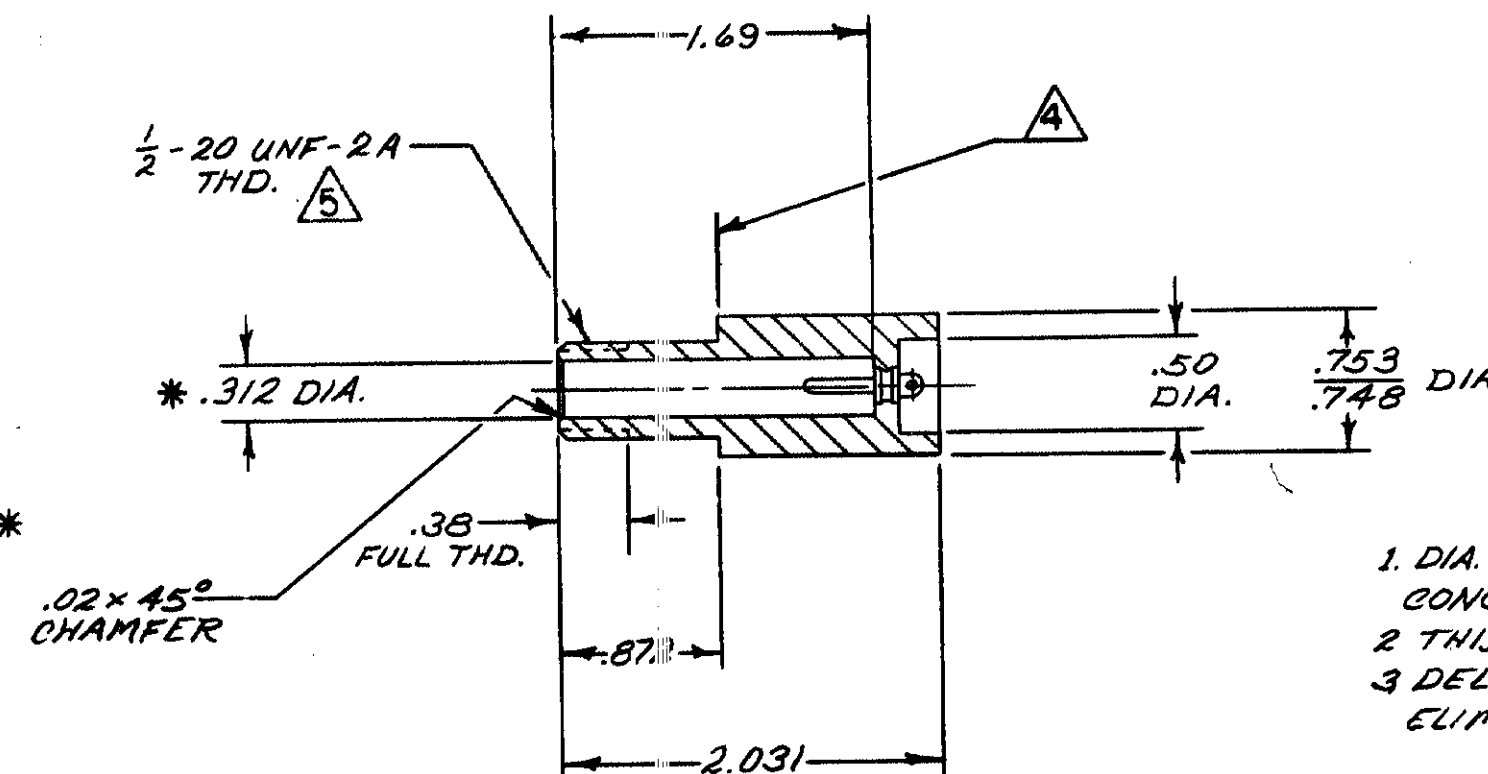
C

B

B

A

A



1. DIA.'S MARKED WITH ASTERISK * TO BE CONCENTRIC WITHIN .015 T.I.R.
 2. THIS IS A HERMETICALLY SEALED RECEPTACLE
 3. DELETE FIRST QUARTER TURN OF THREADS TO ELIMINATE FEATHER EDGE

4 PANEL/CHASSIS POTTING DEPTH DATUM
5 PER FEDERAL STANDARD H-28 3 WIRE METHOD. DIMENSION OVER WIRES TO BE: .497-.510.

861395-6	SAME AS -4 EXCEPT FINISH RED	
861395-5	SAME AS -3 EXCEPT FINISH RED	
861395-4	SAME AS -2 EXCEPT NO HERMETIC SEAL BLACK	
861395-3	SAME AS -1 EXCEPT NO HERMETIC SEAL BLACK	
861395-2	TERMINAL CONTACT (GOLD PLATE)	BLACK
861395-1	TERMINAL CONTACT (TIN PLATE)	BLACK

OBSOLETE

QTY REQD	QTY REQD	ITEM NO.	DWG SIZE	PART OR IDENTIFYING NO.	NOMENCLATURE OR DESCRIPTION	SYMBOL
-2	-1					

QTY REQD		APPLICATION	

UNLESS OTHERWISE SPECIFIED:
 DIMENSIONS ARE IN INCHES
 TOLERANCES
 .00 = ± .010 ANGLES = J
 .000 = ± .005
 MATERIAL:
 MOLD GLASS EPOXY
 FINISH: H

CONTRACT NO.
 DR
 CHK
 APPO
 APPD
 DSGN APPD
 OTHER APPD

AMP INCORPORATED
 CAPITRON DIVISION
 ELIZABETHTOWN, PENNSYLVANIA

NAME: RECEPTACLE

SIZE: B CODE IDENT NO.: 89110 NUMBER: 861395

SCALE: WT SHEET 1 of 1

PRINT DIST