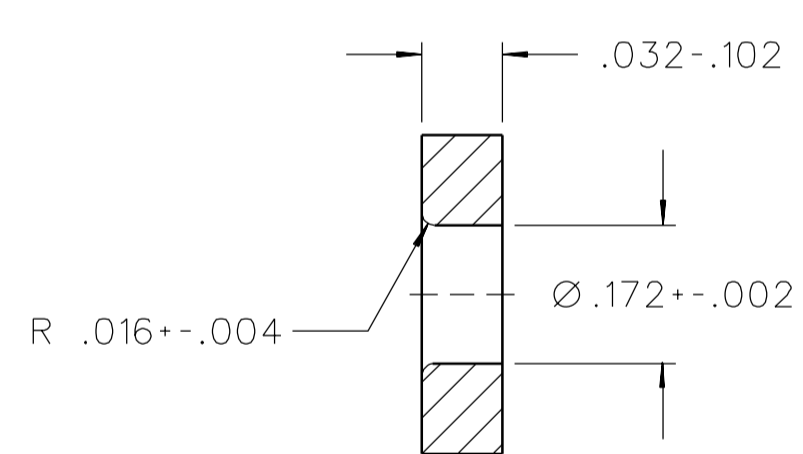
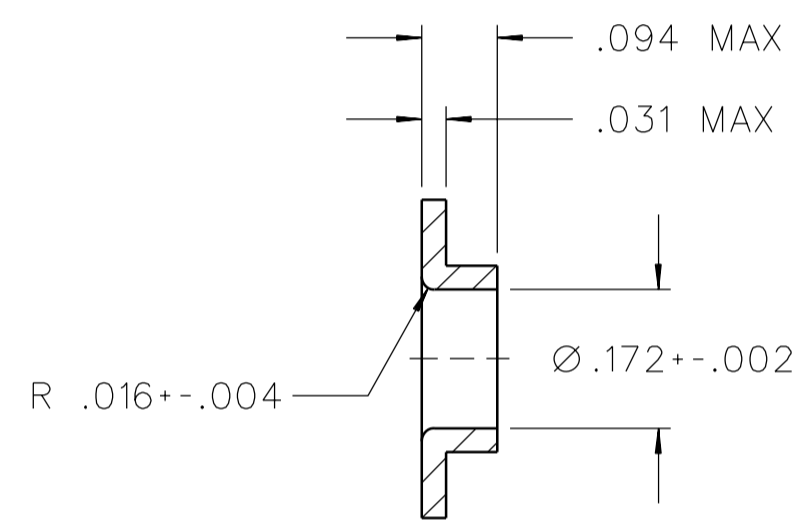
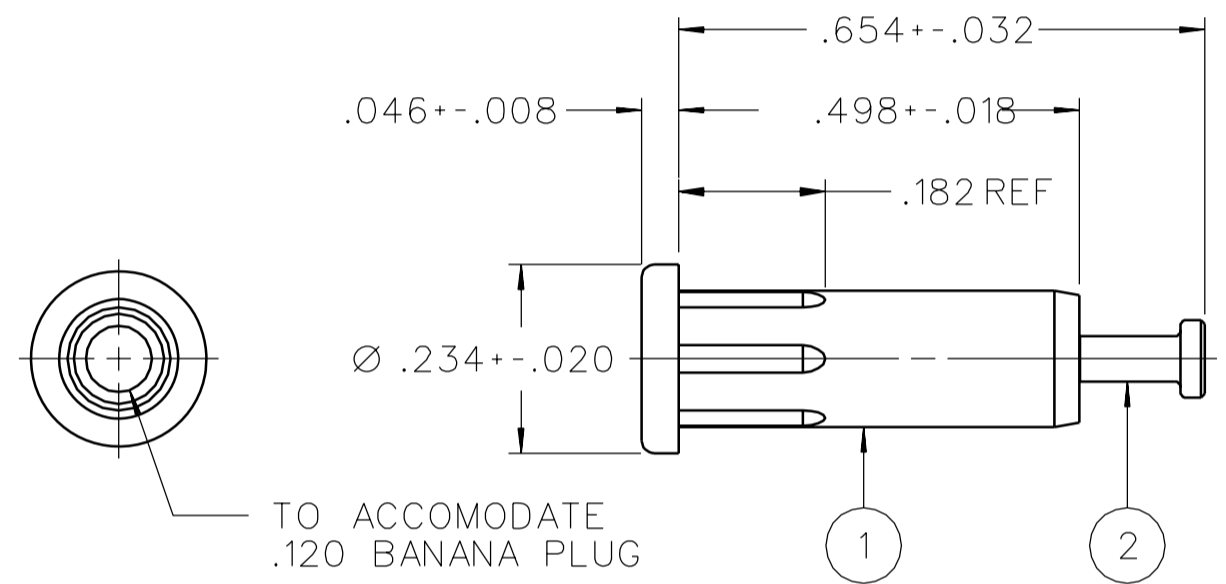


PART NUMBER	ITEM ① BODY	ITEM ② CONTACT
108-11XX-001	NYLON	BRASS SILVER PL .0001 MIN

CATALOG DESIGNATION FOR VARIOUS COLORED BODIES	
PART NUMBER	COLOR
108-1101-001	WHITE
108-1102-001	RED
108-1103-001	BLACK
108-1104-001	GREEN
108-1105-001	
108-1106-001	ORANGE
108-1107-001	YELLOW
108-1108-001	BROWN
108-1109-001	LIGHT GREEN
108-1110-001	BLUE
108-1111-001	
108-1112-001	VIOLET
108-1113-001	GRAY

DRAWING NO.	1101
C - 108-1120-001	
0	REVISIONS
ENGINEERING RELEASE	
06	08-29-89 E J R R F G S M H A W ECO 24319
ADDED: .654+-.032 .182 REF DELETED: .700+-.015 CHANGED: DIA .234+-.020 WAS DIA .218 +-.010, .046+-.008 WAS .046+-.010, .498+-.010 WAS .491+-.015	
7	1-27-93 R H D R J B ECO 41560



MOUNTING HOLE OPTIONS

NOTES:

- SPECIFICATIONS:
 - MECHANICAL:
 - TORQUE: 12 OZ IN MIN REQUIRED TO TURN CONTACT IN BODY
 - TORQUE: 12 OZ IN MIN REQUIRED TO TURN BODY IN PANEL
 - PUSHOUT FORCE: 20 LBS MIN REQUIRED TO REMOVE CONTACT FROM BODY
 - PUSHOUT FORCE: 15 LBS MIN REQUIRED TO REMOVE BODY FROM PANEL
 - ELECTRICAL:
 - DIELECTRIC WITHSTANDING VOLTAGE: 3500 VRMS MIN
 - CURRENT RATING: 10 AMPS MIN
 - CONTACT RESISTANCE: 10 MILLIOHMS MAX
 - CAPACITANCE: 2.0 pF NOMINAL
 - INSULATION RESISTANCE: 5000 MEGOHMS MIN
 - ENVIRONMENTAL:
 - LIFE EXPECTANCY: 5000 CYCLES MIN
 - TEMPERATURE RANGE: -55 TO 85 C
 - VIBRATION: 10 TO 55 Hz MIN
 - SHOCK: 100 g's MIN

CUSTOMER DRAWING
THIS DRAWING TO BE INTERPRETED
PER ANSII Y 14.5M - 1982
"μSTATION"
COMPANY CONFIDENTIAL

TOLERANCE UNLESS OTHERWISE SPECIFIED		DRAWN BY	DATE
DECIMALS	mm	E J	9-12-89
.XX	_____	CHECKED BY	DATE
.XXX	_____	RRF	1-12-90
MATL	_____	APPROVED BY	DATE
		GSQ	1-12-90
FINISH	_____	RELEASE DATE	1-17-90
		U/M INCH	SCALE 4:1

cinch Connectivity Solutions
P.O. Box 1732
Waseca, MN 56093
1-800-247-8256

TITLE: MINI BANANA JACK, RIB-LOC FOR .120 BANANA PLUG

SHEET: 2 OF 2
DRAWING NO.: C - 108-1101/1120-001