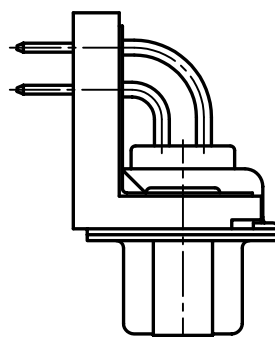
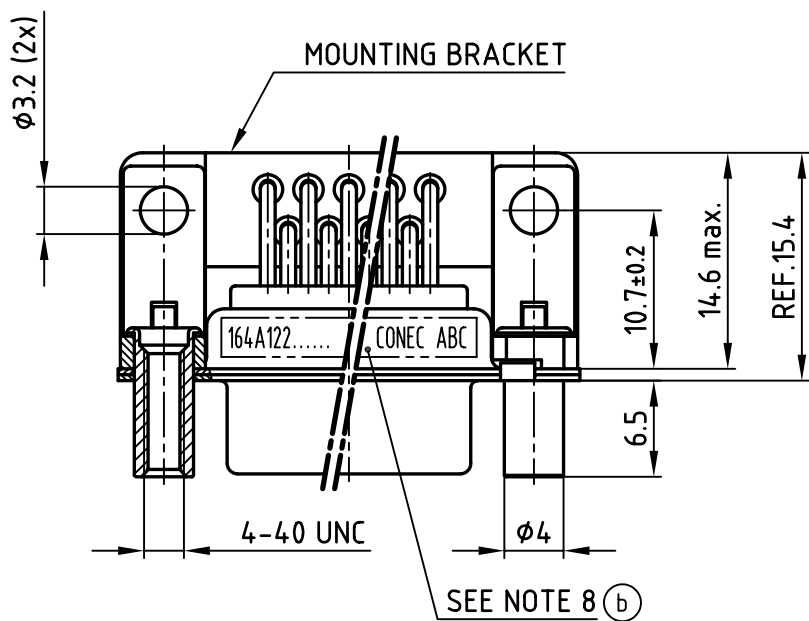
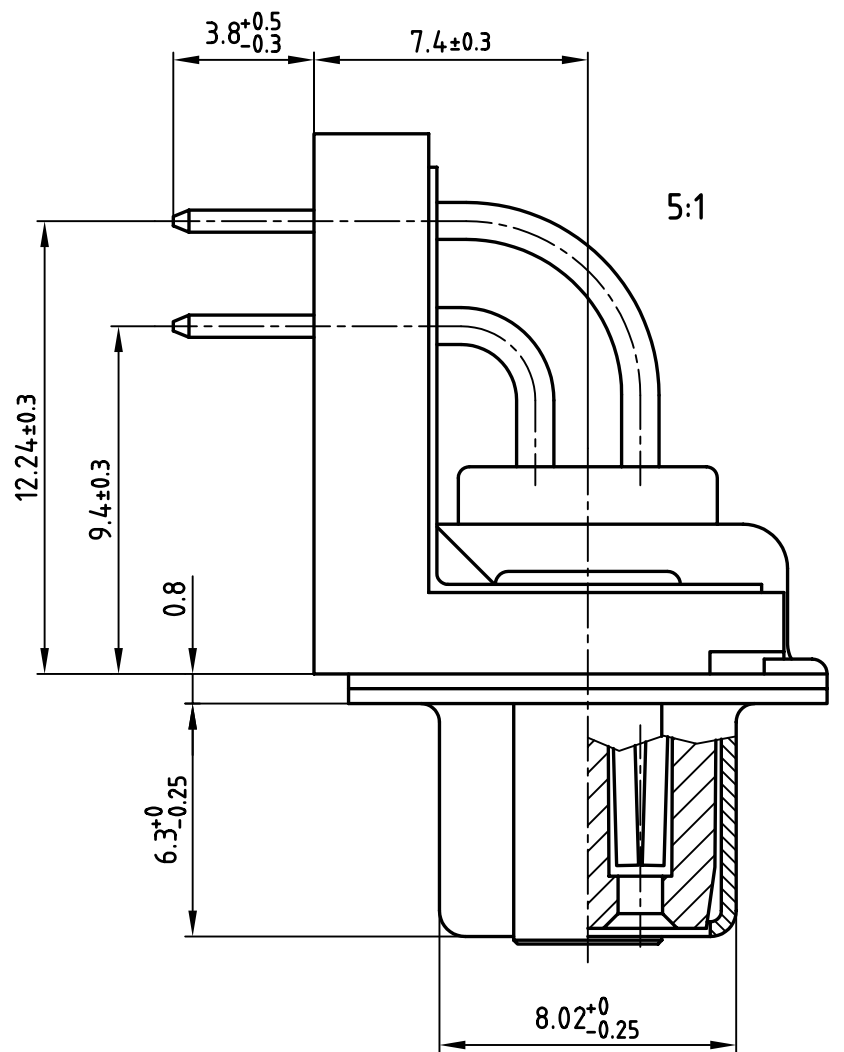
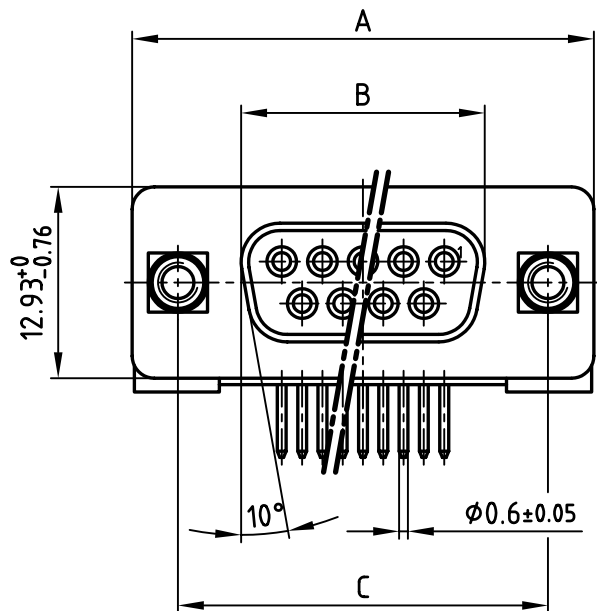


used for: D-SUB

POS.	A -0.76	B -0.25	C	PART NO.
9	31.19	16.46	25.00 <sup>+0.12</sup> / <sub>-0.13</sub>	164A12229X
15	39.52	24.79	33.30 <sup>+0.15</sup> / <sub>-0.1</sub>	164A12239X
25	53.42	38.50	47.04 <sup>+0.13</sup> / <sub>-0.13</sub>	164A12249X
37	69.70	54.96	63.50 <sup>+0.13</sup> / <sub>-0.13</sub>	164A12259X



**NOTES:**

- METALSHELLS: STEEL; min. 315µm TIN over 40-80µm NICKEL
- INSULATORS: PBT GF UL 94 V-0; BLACK
- CONTACTS: COPPER ALLOY  
PLATING: 8µm HARD GOLD over min. 50µm NICKEL
- MOUNTING AND GROUNDING BRACKETS: PBT GF UL 94 V-0; BLACK
- THREADED LOCKS: COPPER ALLOY; min. 200µm TIN over 80µm NICKEL
- P.C.B. HOLE DRILLINGS ON SHEET 2
- MAXIMUM TORQUE VALUE FOR THREAD: 6 in.LB
- CONNECTOR IS PART MARKED: PART-NO. CONEC ABC

Directive 2002/95/EC  
„RoHS“  
Compliant

APPROVAL # FREIGABE # DEBLOCAGE # AUTORIZACION # APPROVAL	
CUSTOMER APPROVAL DATE:	
NAME:	TITLE:
COMPANY NAME:	
APPROVAL # FREIGABE # DEBLOCAGE # AUTORIZACION # APPROVAL	

THIS DRAWING MAY NOT BE COPIED OR REPRODUCED IN ANY WAY, AND MAY NOT BE PASSED ON TO A THIRD PARTY WITHOUT WRITTEN PERMISSION.  
OWNERSHIP AND COPYRIGHT OF CONEC GmbH  
**DO NOT ALTER CAD DRAWING BY HAND**

1 x b	Ä 3462	20.10.09	Lehmen
a	Origin		
rev.	description	date	name

tolerance		 dim. in mm
2001	date	
drawn	22.03.	Parei
appd.	22.03.	E. Mickenbecker
norm	DIN 41652	
d-old		

scale:	2:1 (5:1)	
material:	SEE NOTES	
title:	<b>D-SUB FEMALE 90°</b> 9-37pos. 0.370inch threaded lock, mounting and grounding bracket	
dwg no:	AutoCAD 2006	DIN-A
	16K1A167A	3
part no:	SEE TABLE	
		sh:1/2

6

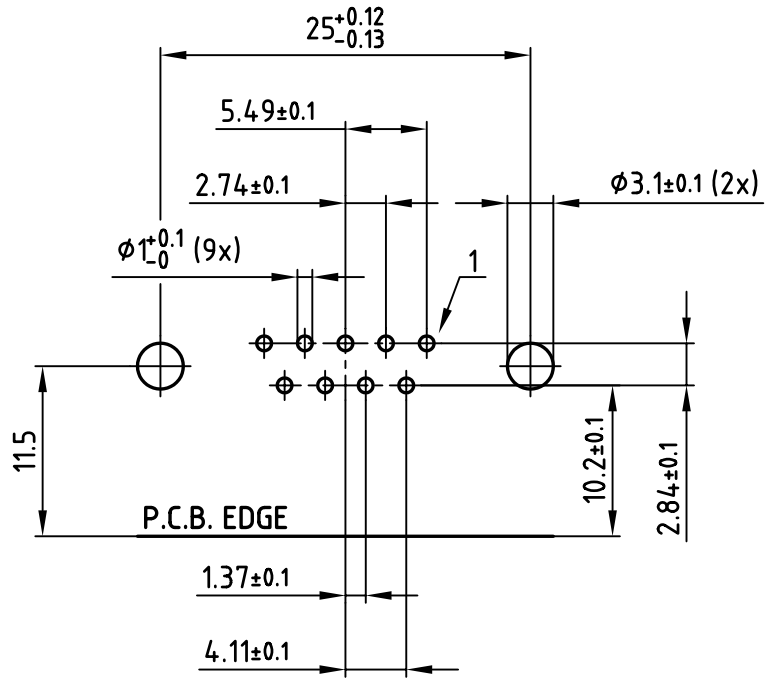
5

4

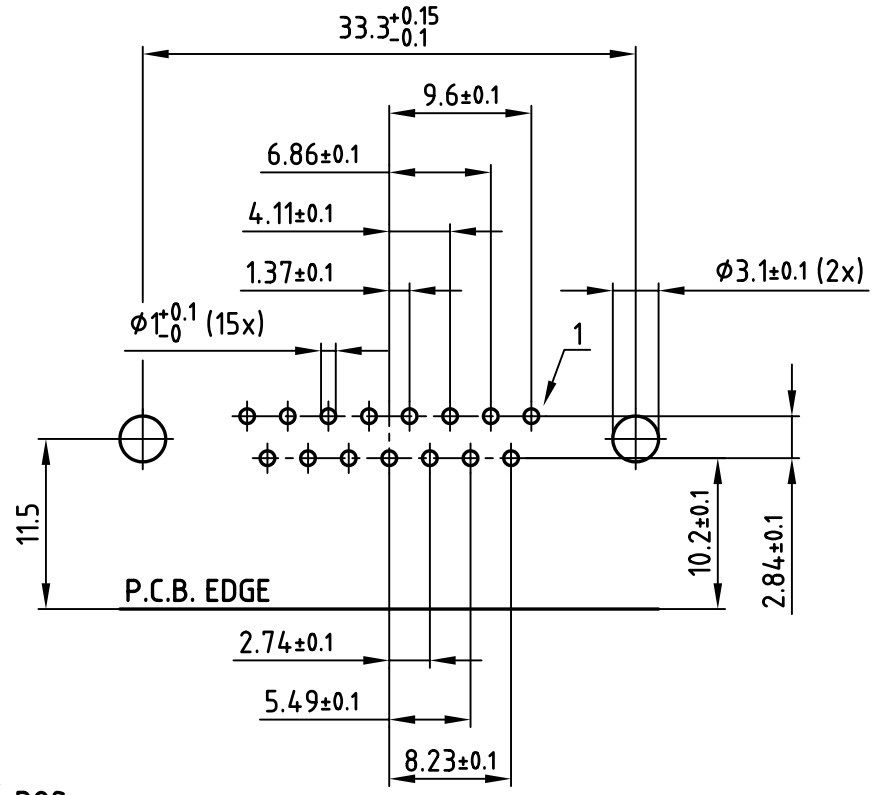
2

1

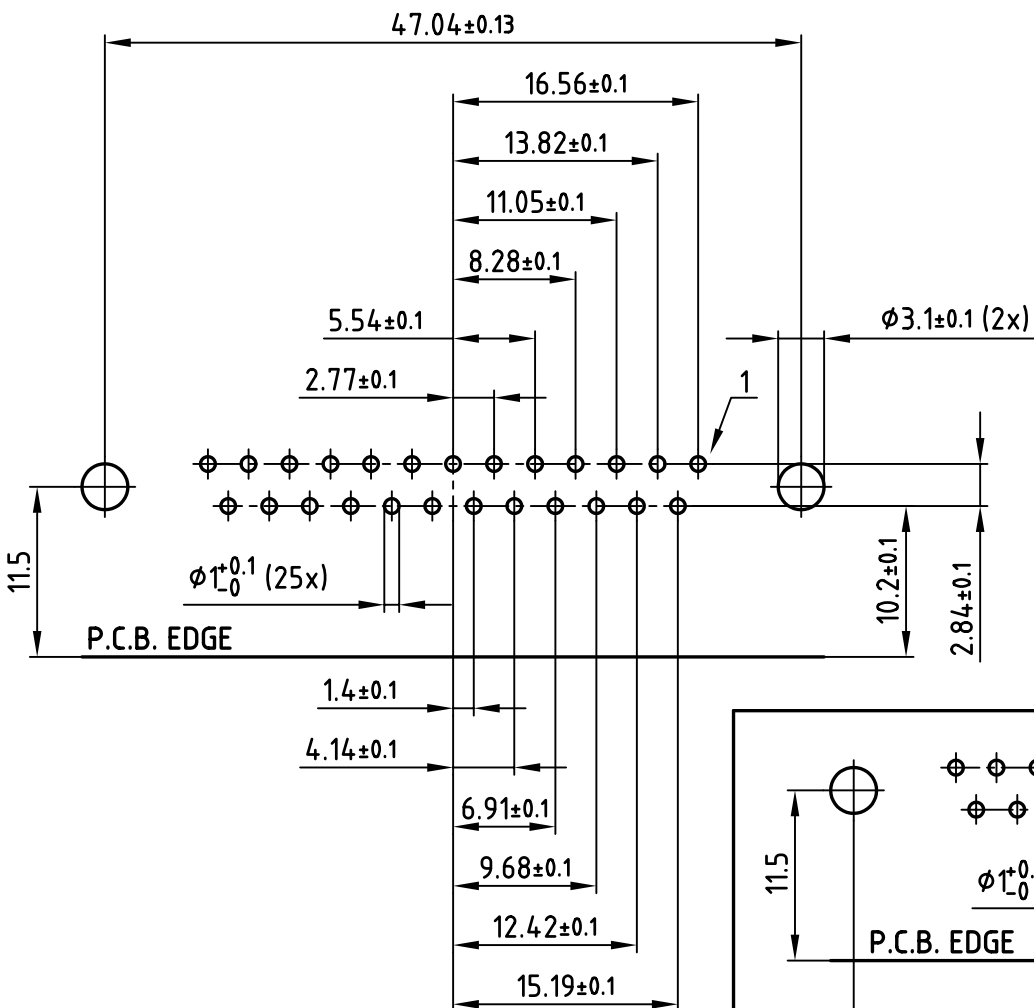
used for: D-SUB



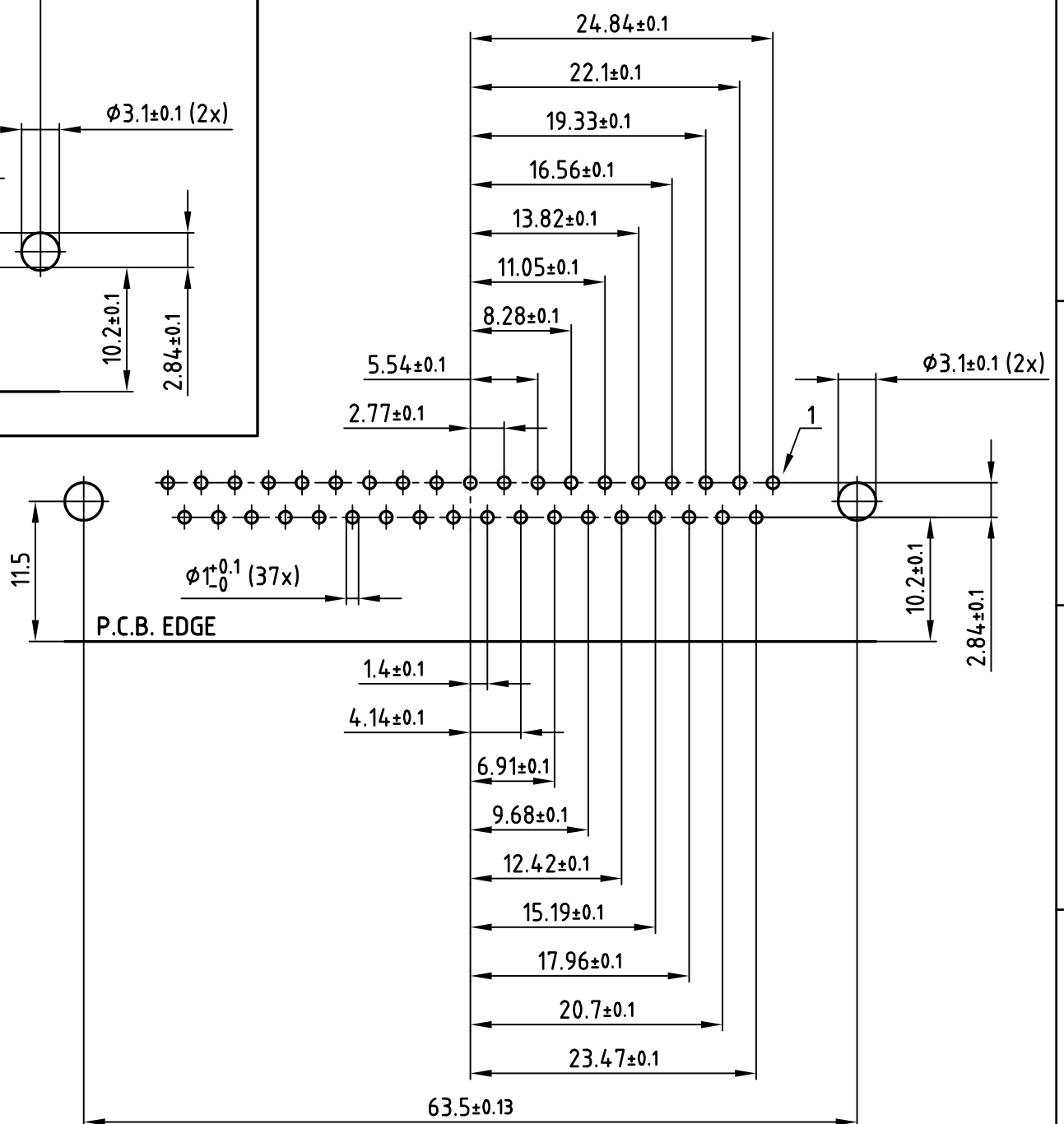
9 pos.



15 pos.



25 pos.



37 pos.

P.C.B. HOLE DRILLINGS  
( P.C.B. TOP SIDE )

APPROVAL # FREIGABE # DEBLOCAGE # AUTORIZACION # APPROVAL

CUSTOMER APPROVAL DATE:

NAME: TITLE:

COMPANY NAME:

APPROVAL # FREIGABE # DEBLOCAGE # AUTORIZACION # APPROVAL

THIS DRAWING MAY NOT BE COPIED OR REPRODUCED IN ANY WAY, AND MAY NOT BE PASSED ON TO A THIRD PARTY WITHOUT WRITTEN PERMISSION.

OWNERSHIP AND COPYRIGHT OF CONEC GmbH

DO NOT ALTER CAD DRAWING BY HAND

rev.	description	date	name
a	Origin		

tolerance		dim. in mm
2009	date	
drawn	20.10.	name
appd.	20.10.	Fischer
norm	DIN 41652	
d-old		

scale: 2:1

material: SEE SHEET 1

title: P.C.B. HOLE DRILLINGS  
D-SUB FEMALE 90° 9-37pos. 0.370inch threaded lock, mounting and grounding bracket

dwg no: AutoCAD 2006

part no: SEE SHEET 1

DIN-A 3 sh:2/2