

4

3

2

1

THIS DRAWING IS UNPUBLISHED.

RELEASED FOR PUBLICATION

20

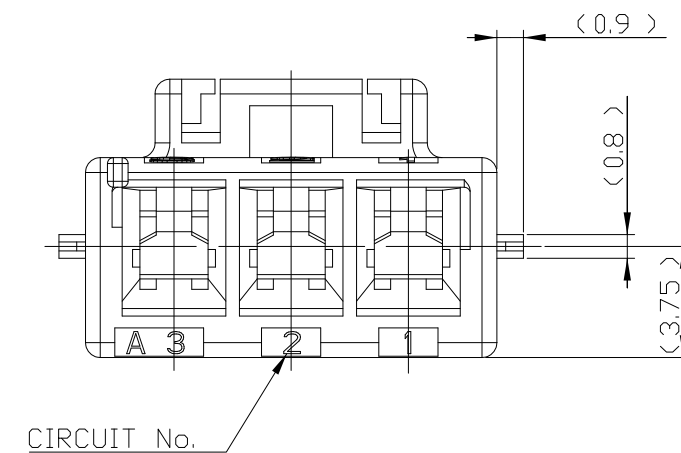
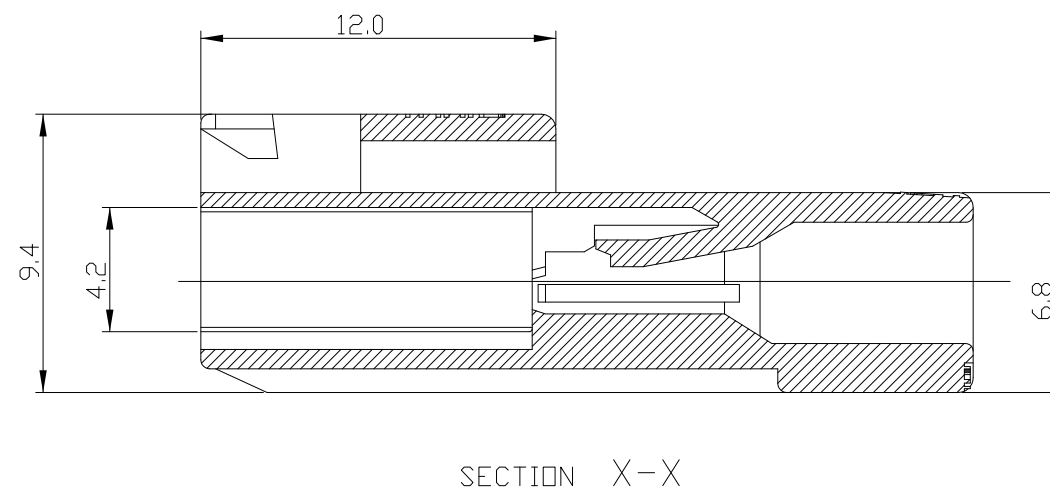
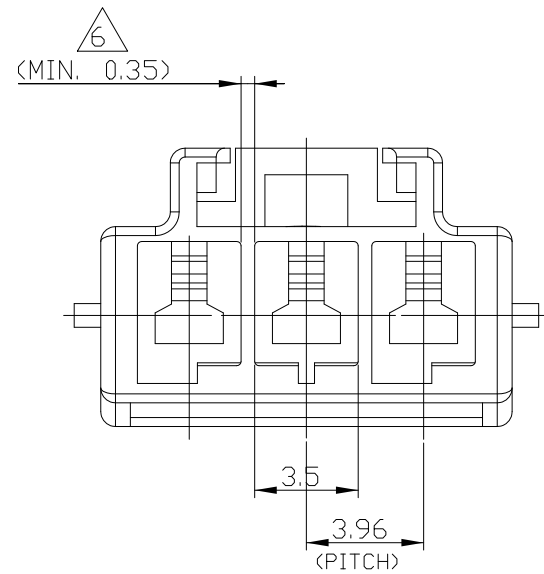
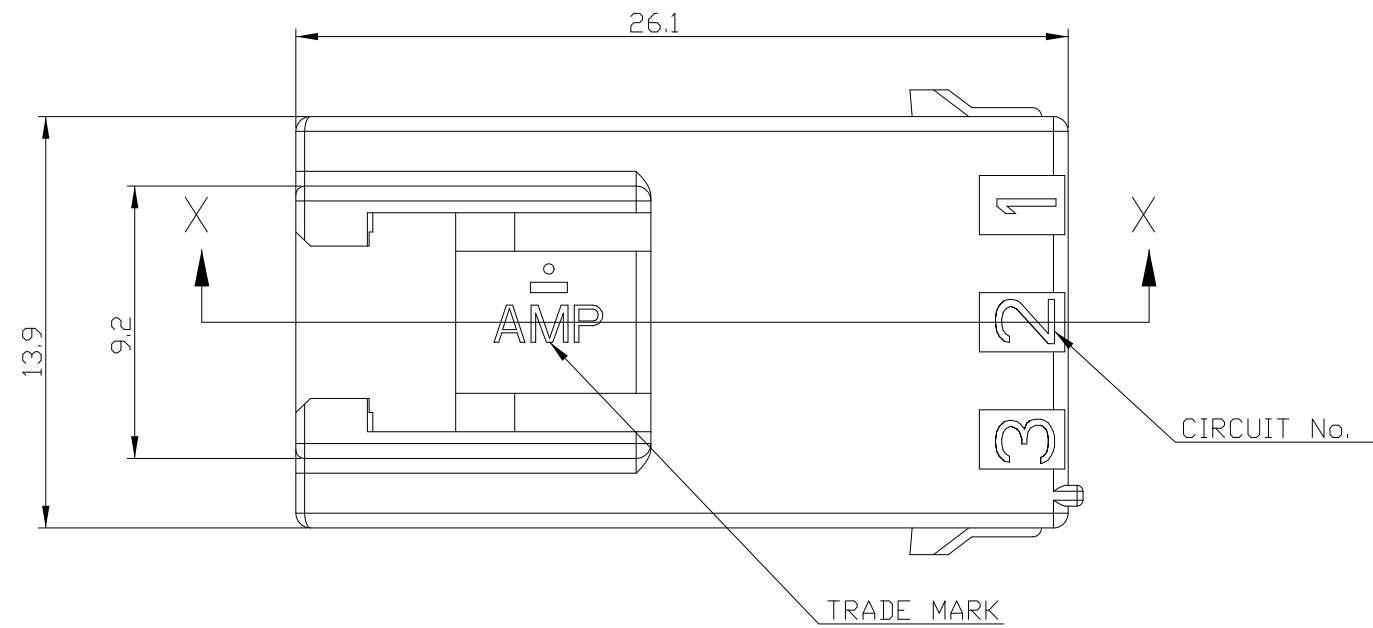
LOC DS

DIST -

REVISIONS

© COPYRIGHT 20 BY TYCO ELECTRONICS CORPORATION. ALL RIGHTS RESERVED.

P	LTR	DESCRIPTION	DATE	DWN	APVD
	A	RELEASED	29.MAY'09	SC	JK



- NOTE;
- 1.APPLICABLE CONTACT P/N  
-TAB CONTACT: 177917- □(AWG#16-#20)  
177916- □(AWG#22-#26)
  - 2.MATING CONN.P/N  
-PLUG HSG:368571- □  
-REC CONTACT:177915- □(AWG#16-#20)  
:177914- □(AWG#22-#26)
  - 3.APPLICABLE DOUBLE LOCK PLATE:177919-1  
\*IT SHOULD BE USED CERTAINLY WHEN CABLE ASS'Y
  - 4.GENERAL TOLERANCES:±0.3
  - 5.ACCORDING TO IEC 60335-1 4.2 EDITION  
-PART MEETS GWT 750°C,850°C.  
-MATERIAL MEETS BALL PRESSURE TESTING AT 125°C.  
-MATERIAL HAS CTI VALUE OF 250V.
  - 6.MIN.THICKNESS OF INSULATING WALL

368572-9	BLACK
368572-6	BLUE
368572-4	YELLOW
368572-2	RED
368572-1	NATURAL
P/N	COLOR

DIMENSIONS:		TOLERANCES UNLESS OTHERWISE SPECIFIED		DWN		NAME		
mm		0 PLC	±-	SC KIM	AMP KOREA			
		1 PLC	±0.1	CHK	Kyungsan, Korea			
		2 PLC	±0.05	BW KANG	Tyco Electronics			
		3 PLC	±0.025	APVD	JK SONG			
		4 PLC	±0.0001	PRODUCT SPEC	108-61106			
		ANGLES	±-	APPLICATION SPEC	PDL 3P CAP HSG 3.96mm F/H (GWT)			
MATERIAL	FINISH			WEIGHT	SIZE	CAGE CODE	DRAWING NO	RESTRICTED TO
PA66(UL94V-0)	-			-	A3	00779	368572	-
				CUSTOMER DRAWING		SCALE	SHEET	REV
						4:1	1 OF 1	A