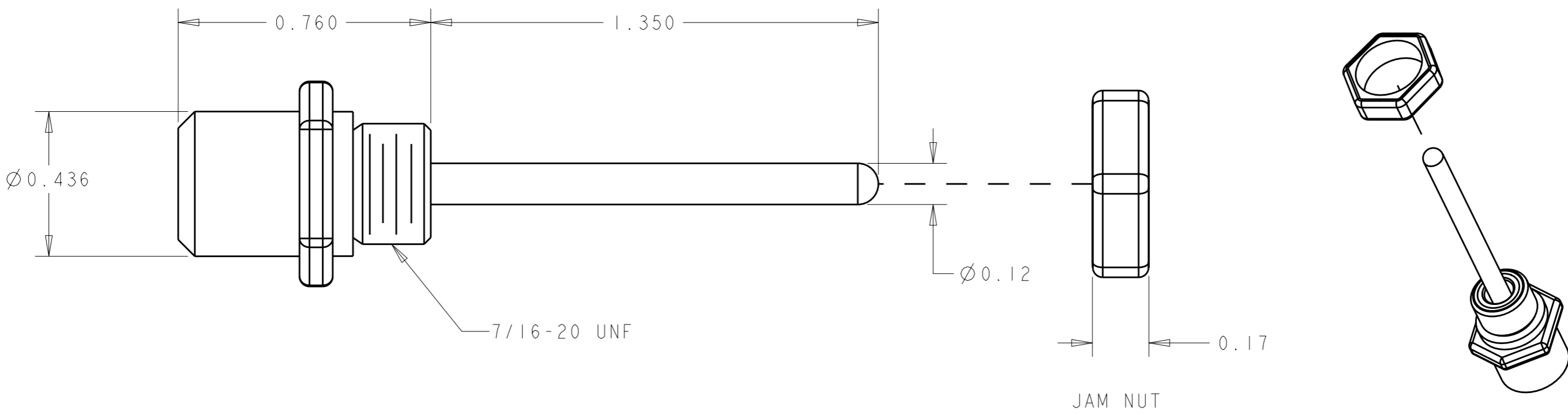


THIS DRAWING IS UNPUBLISHED. RELEASED FOR PUBLICATION 20
 © COPYRIGHT 20 BY TYCO ELECTRONICS CORPORATION. ALL RIGHTS RESERVED.

LOC	DIST	REVISIONS			
P	LTR	DESCRIPTION	DATE	DWN	APVD
-	-	A	NEW RELEASE	28OCT2008	CR DO



- PART NUMBER CHANGES AND/OR DESIGN CHANGES AFFECTING INTERCHANGEABILITY REQUIRE PRIOR TYCO ELECTRONICS APPROVAL AND AUTHORIZATION BY REVISION TO THIS DRAWING
- ITEMS PROVIDED TO THIS SPECIFICATION TO BE PERMANENTLY IDENTIFIED PER THE FOLLOWING IDENTIFIER LABEL

TYCO ELECTRONICS P/N: XXXXXXXX-X
 DATE CODE (e.g. 0106): YEAR WEEK

3 MATERIALS: PIN HOUSING: COPPER ALLOY
 CONTACT: COPPER ALLOY
 JAM NUT: COPPER ALLOY
 BUSHING: COPPER ALLOY
 CROWN BAND: COPPER ALLOY

4 FINISHES: PIN HOUSING: SILVER PLT: .000200/.000300 THK OVER
 NICKEL PLT: .000040 MIN THK
 CONTACT: SILVER PLT: .000200/.000300 THK OVER
 NICKEL PLT: .000040 MIN THK
 JAM NUT: SILVER PLT: .000100/.000200 THK OVER
 NICKEL PLT: .000040 MIN THK
 BUSHING: NICKEL PLT: .000040 MIN THK
 CROWN BAND: GOLD: .000040 MIN THK OVER
 NICKEL PLT: .000050 THK

AS SHOWN	6643253-1
DESCRIPTION	PART NO.

THIS DRAWING IS A CONTROLLED DOCUMENT FOR TYCO ELECTRONICS CORPORATION. IT IS SUBJECT TO CHANGE AND THE CONTROLLING ENGINEERING ORGANIZATION SHOULD BE CONTACTED FOR THE LATEST REVISION.		DWN C. ROHLER 28OCT2008	Tyco Electronics Harrisburg, PA 17105-3608	
DIMENSIONS: INCHES		CHK D. ORRIS 28OCT2008	NAME PIN, FLOAT LONG VERSION ICCON	
TOLERANCES UNLESS OTHERWISE SPECIFIED: 0 PLC ±- 1 PLC ±- 2 PLC ±.02 3 PLC ±.010 4 PLC ±- ANGLES ±.5		APVD M. PERCHERKE 28OCT2008	SIZE A3 CAGE CODE 00779 DRAWING NO C-6643253 RESTRICTED TO -	
MATERIAL - 3	FINISH - 4	PRODUCT SPEC -	SCALE 3:1 SHEET 1 OF 1 REV A	
CUSTOMER DRAWING		APPLICATION SPEC -		
		WEIGHT -		