

80mm sq.

San Ace 80L

25mm thick



General Specifications

- Material Frame: Aluminum, Impeller: Plastics (Flammability: UL94V-1)
- Expected Life Refer to specifications (L10:Survival rate:90% at 60°C , rated voltage, and continuously run in a free air state)
- Lead Wire ⊕red ⊖black or blue (Sensor) yellow
- Storage Temperature -30°C to +70°C (Non-condensing)

80×80×25mm (Mass : 150g)

Specifications

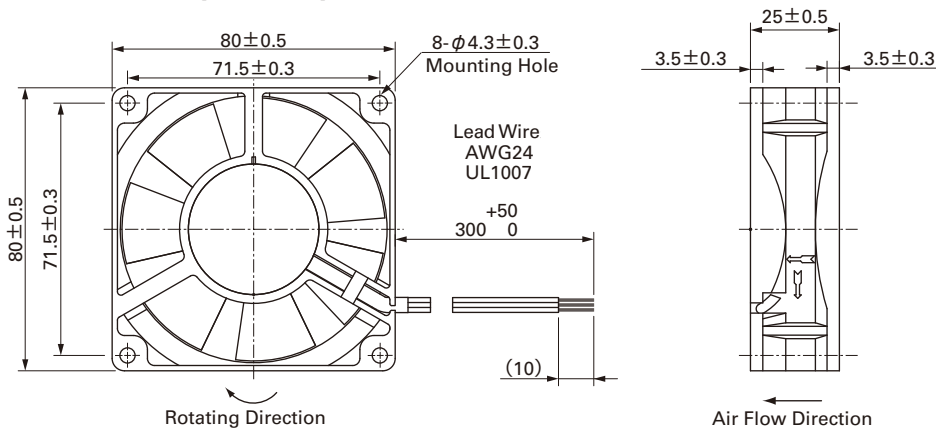
The following nos. have pulse sensors.

| Model No. | Rated Voltage [V] | Operating Voltage Range [V] | Rated Current [A] | Rated Input [W] | Rated Speed [min ⁻¹] | Max. Air Flow [m ³ /min] [CFM] | Max. Static Pressure [Pa] [inchH ₂ O] | SPL [dB(A)] | Operating Temperature [°C] | Expected Life [h] |
|--------------|-------------------|-----------------------------|-------------------|-----------------|----------------------------------|---|--|-------------|----------------------------|-------------------|
| 109L0812S401 | 12 | 10.2 to 13.8 | 0.26 | 3.12 | 3,400 | 1.2 42.4 | 50 0.2 | 37 | - 20 to + 70 | 100,000 |
| 109L0812H401 | | | 0.18 | 2.16 | 3,000 | 1.06 37.4 | 39.2 0.157 | 32 | | |
| 109L0812F401 | | | 0.14 | 1.68 | 2,700 | 0.93 32.8 | 32.3 0.130 | 29 | | |
| 109L0812M401 | | | 0.1 | 1.2 | 2,400 | 0.83 29.3 | 26.5 0.106 | 26 | | |
| 109L0812L401 | | | 0.08 | 0.96 | 1,900 | 0.63 22.2 | 16.7 0.067 | 22 | | |
| 109L0824S401 | 24 | 20.4 to 27.6 | 0.11 | 2.64 | 3,400 | 1.2 42.4 | 50 0.2 | 37 | | |
| 109L0824H401 | | | 0.09 | 2.16 | 3,000 | 1.06 37.4 | 39.2 0.157 | 32 | | |
| 109L0824F401 | | | 0.08 | 1.92 | 2,700 | 0.93 32.8 | 32.3 0.130 | 29 | | |
| 109L0824M401 | | | 0.07 | 1.68 | 2,400 | 0.83 29.3 | 26.5 0.106 | 26 | | |
| 109L0824L401 | | | 0.05 | 1.2 | 1,900 | 0.63 22.2 | 16.7 0.067 | 22 | | |
| 109L0848H401 | 48 | 40.8 to 55.2 | 0.06 | 2.88 | 3,150 | 1.1 38.8 | 43.1 0.173 | 34 | | |

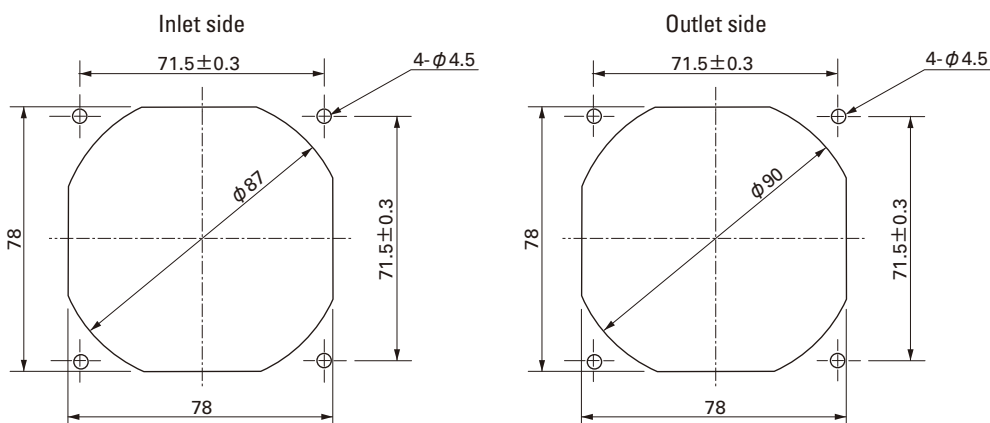
Available options: ⇒ **Without Sensor**

Please inquire as the availability of these functions depend on the model. ⇒ **Lock Sensor** **Low speed Sensor**

Dimensions (Unit : mm)



Reference dimension of mounting holes and vent opening (Unit : mm)

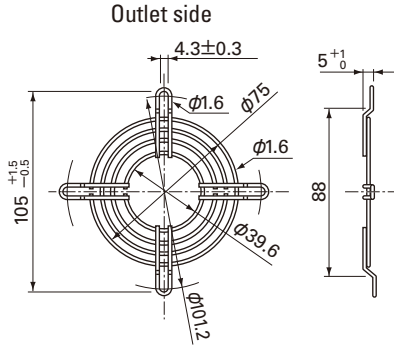


Options (Unit : mm)

Finger guards

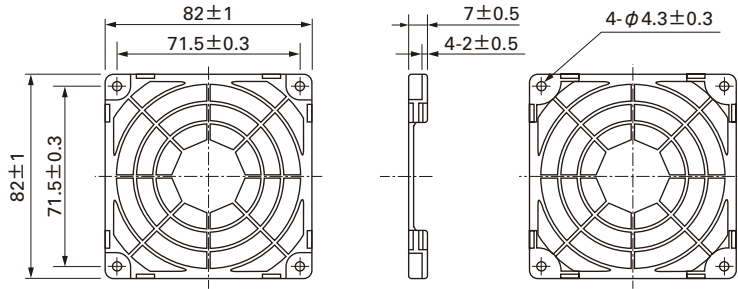
Model : 109-049C Surface treatment : Nickel-chrome plating (silver) Color

Color



Resin Finger guards

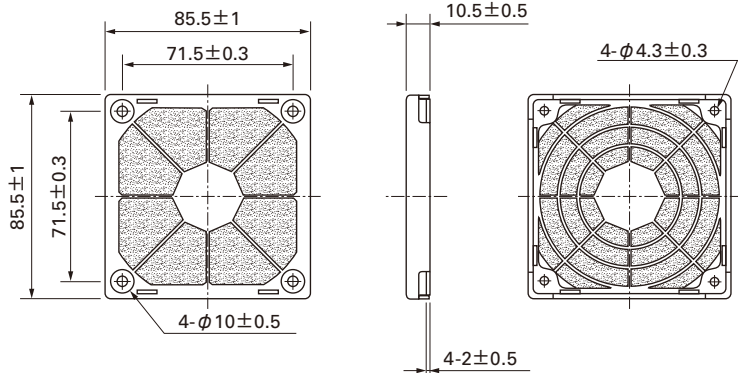
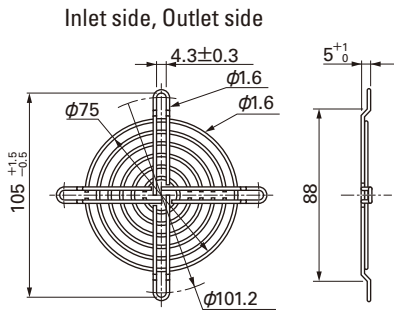
Model : 109-1002G



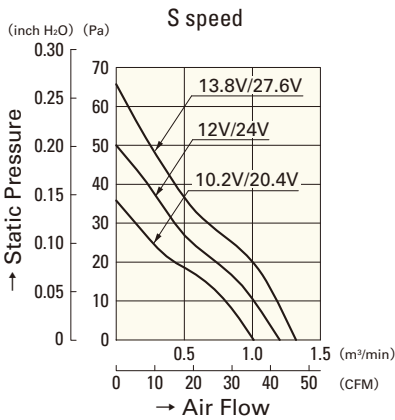
Model : 109-049E Surface treatment : Nickel-chrome plating (silver) Color
: 109-049H : Cation electropainting (black)

Resin filter kits

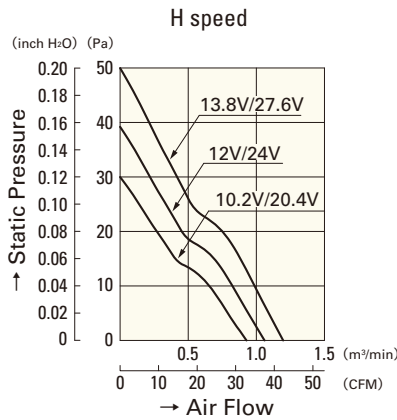
Model : 109-1002F13 (13PPI), 109-1002F20 (20PPI)
: 109-1002F30 (30PPI), 109-1002F40 (40PPI)



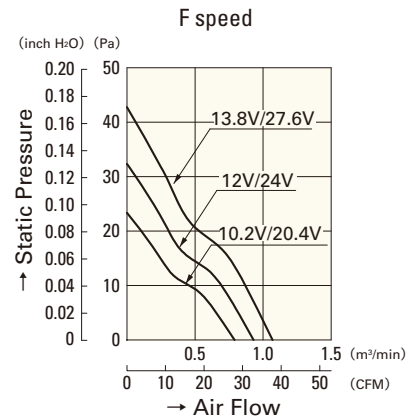
Air Flow - Static Pressure Characteristics



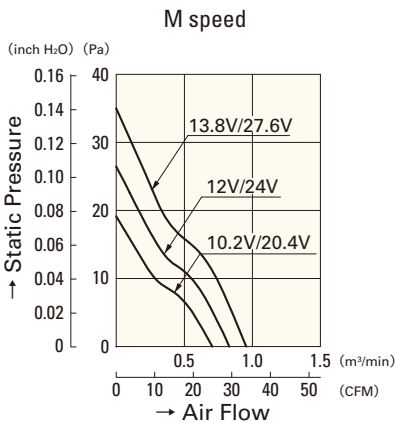
109L0812S401
109L0824S401



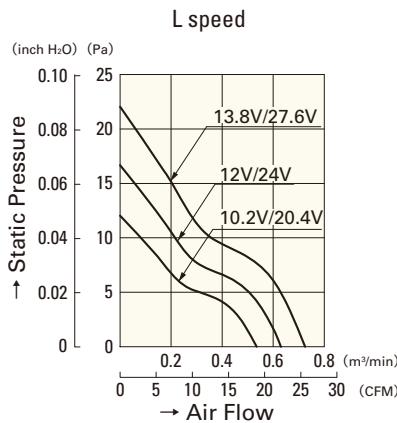
109L0812H401
109L0824H401



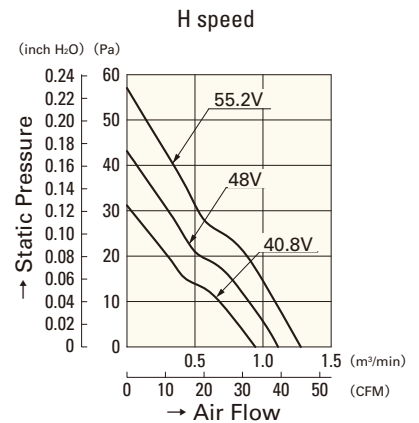
109L0812F401
109L0824F401



109L0812M401
109L0824M401



109L0812L401
109L0824L401



109L0848H401