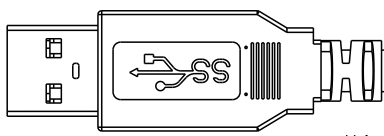
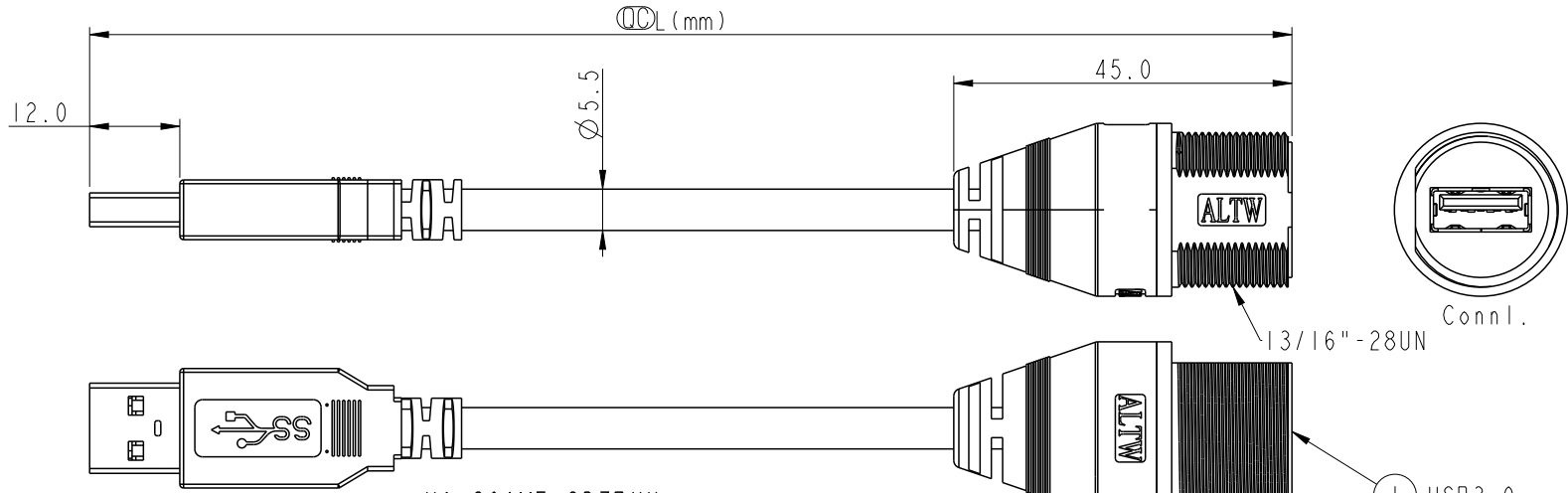
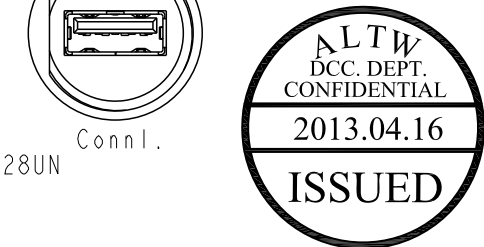


REV.	ECN NO.	DATE	SIGN	DESCRIPTION
A	Release	2013-04-09	Kevin Wang	



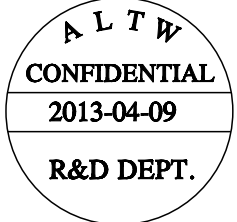
UA-30AMF-SD7BXX

XX : 01~03Meters Inner Mold ③
 01 : 01Meter Inner Mold ④
 03 : 03Meters Outer Mold ⑤
 Cable Length(L): 01~03Meters Color: Black



① USB3.0 Half Finished

② Housing



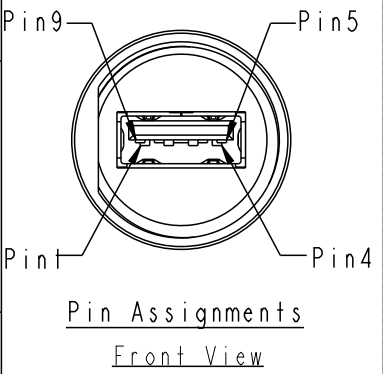
Shield	Braid	編織	Shield
9	Orange 28AWG	橙	9
8	Purple 28AWG	紫	8
7	Drain 28AWG		7
6	Yellow 28AWG	黃	6
5	Blue 28AWG	藍	5
7	Drain 28AWG		7
4	Black 28AWG	黑	4
3	Green 28AWG	綠	3
2	White 28AWG	白	2
1	Red 28AWG	紅	1
Conn.1	Wire Color		Conn.2

Twist

Twist

Twist

Note:
 * \varnothing Important Dimension.
 * Conn.1 Waterproof Rate: IP67
 * Jack: USB3.0-A Female Solder
 * Housing: ABS, 94-V0, Black
 * Cable: USB 3.0, (1P*28#+D+A1/My)*2+1P*28#+2C*28#+F+A1+B, Black, PVC Jacket, UV Resistant, OD=5.5mm
 * Cable Length Tolerance: 01M:±40mm
 02M~03M:±60mm
 * All of Drain twisted together.



UNIT:mm TOLERANCE .X ±0.25 .XX ±0.1 .XXX ±0.05 ANGLES ±1°	TITLE USB3.0 Female Screw to A plug	
	SCALE 1:2	SIZE A4
	REV. A	WC-REV. A.2
	\varnothing : Inspection item	

Amphenol LTW
 安費諾亮泰企業股份有限公司

ITEM NO.	DRAWN BY	DATE
	Kevin	2013-04-09
DWG NO.	CHECKED BY	DATE
UA-30AMF-SD7BXX	Micky	2013-04-09
CUSTOMER	APPROVED BY	DATE
ALTW	Maslow	2013-04-09

THIS DOCUMENT IS SUBJECT TO CHANGE WITHOUT NOTICE. IT IS CONFIDENTIAL AND A PROPERTY OF Amphenol LTW. DISCLOSURE TO THIRD PARTY HAS TO BE AUTHORIZED BY Amphenol LTW.