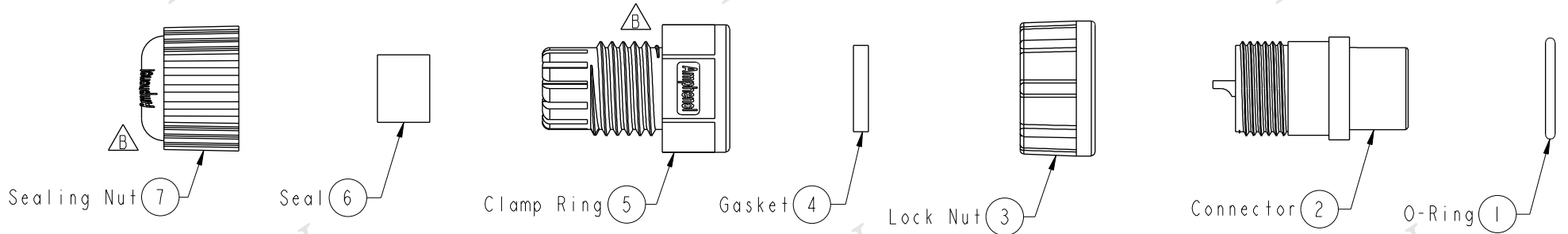


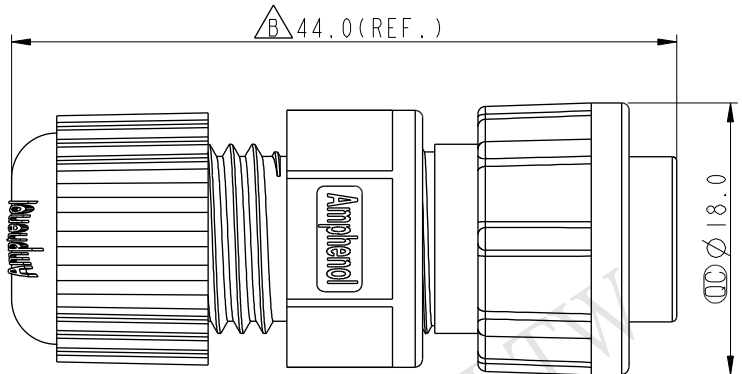
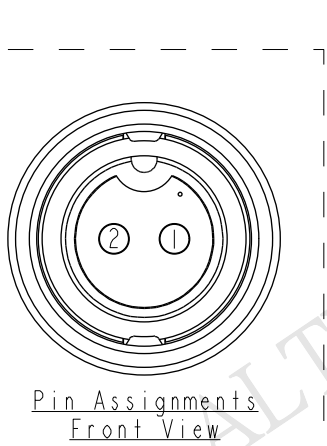
REV.	ECN NO.	DATE	SIGN	DESCRIPTION
B	LEN14C0023	2014/11/19	Vicky	Update Logo & Dimension

ALTW  
CONFIDENTIAL  
2014-11-19  
R&D DEPT.

ALTW  
DCC. DEPT.  
CONFIDENTIAL  
2014.12.03  
ISSUED



- Note:
- \*  $\text{⌀}$  Important Dimension To Check.
  - \* Waterproof Rate: IP67
  - \* Housing: Nylon+GF, Black
  - \* Male Pin: Copper Alloy, Gold Plated
  - \* O-Ring: EPDM, Black
  - \* Lock Nut: Nylon+GF, Black
  - \* Gasket: EPDM, Black
  - \* Clamp Ring: Nylon, Black
  - \* Seal: EPDM, Black
  - \* Sealing Nut: Nylon, Black
  - \* Seal For Cable OD:  $\text{⌀}4.5\text{mm} \sim \text{⌀}6.5\text{mm}$   
(防水墊圈線徑:  $\text{⌀}4.5\text{mm} \sim \text{⌀}6.5\text{mm}$ )
  - \* One Set Unassembled In One PE Bag  
(每一組未組裝, 放置於一個PE袋, 並封口)



UNIT:mm  TOLERANCE .X ±0.25 .XX ±0.1 .XXX ±0.05 ANGLES ±1°	TITLE Standard Assy Lock 2P F Conn M Pin		<b>Amphenol LTW</b> 安費諾亮泰企業股份有限公司		ITEM NO BD-02BFMA-LL7001	DRAWN BY Vicky	DATE 2014-11-19	
	SCALE 5:4	SIZE A4	SHEET 1 OF 1	DWG NO BD-02BFMA-LL7001	CHECKED BY Sam	DATE 2014-11-19		
	REV. B	WC-REV. A.2	QC: Inspection item	CUSTOMER ALTW	APPROVED BY Rita	DATE 2014-11-19		

THIS DOCUMENT IS SUBJECT TO CHANGE WITHOUT NOTICE. IT IS CONFIDENTIAL AND A PROPERTY OF Amphenol LTW. DISCLOSURE TO THIRD PARTY HAS TO BE AUTHORIZED BY Amphenol LTW.