



The following document contains information on Cypress products. Although the document is marked with the name “Spansion” and “Fujitsu”, the company that originally developed the specification, Cypress will continue to offer these products to new and existing customers.

Continuity of Specifications

There is no change to this document as a result of offering the device as a Cypress product. Any changes that have been made are the result of normal document improvements and are noted in the document history page, where supported. Future revisions will occur when appropriate, and changes will be noted in a document history page.

Continuity of Ordering Part Numbers

Cypress continues to support existing part numbers. To order these products, please use only the Ordering Part Numbers listed in this document.

For More Information

Please contact your local sales office for additional information about Cypress products and solutions.

About Cypress

Cypress (NASDAQ: CY) delivers high-performance, high-quality solutions at the heart of today’s most advanced embedded systems, from automotive, industrial and networking platforms to highly interactive consumer and mobile devices. With a broad, differentiated product portfolio that includes NOR flash memories, F-RAM™ and SRAM, Traveo™ microcontrollers, the industry’s only PSoC® programmable system-on-chip solutions, analog and PMIC Power Management ICs, CapSense® capacitive touch-sensing controllers, and Wireless BLE Bluetooth® Low-Energy and USB connectivity solutions, Cypress is committed to providing its customers worldwide with consistent innovation, best-in-class support and exceptional system value.

32-bit Microcontrollers FM3 Family MB9B210T Series



MB9B210T series are highly integrated 32-bit microcontrollers dedicated for embedded controllers with high-performance and competitive cost. MB9B210T series are based on the ARM Cortex-M3 Processor with Flash memory and SRAM, and has peripheral functions such as Motor Control timers, ADCs, and Communication interfaces.

■ FEATURES

- **32bit ARM Cortex-M3 Core**
Processor version : r2p1
- **Clock**
Maximum clock frequency : 144MHz
- **Base Timer** : 16 channels (Max.)
- **Multi-function Timer** : 3 units (Max.)
16-bit free-run timer × 3 channels/unit
Input capture × 4 channels/unit
Output compare × 6 channels/unit
A/D activating compare × 3 channels/unit
Waveform generator × 3 channels/unit
16-bit PPG timer × 3 channels/unit
- **QPRC** : 3 channels (Max.)
- **Dual Timer** : 1 unit
- **Watch dog Timer** : 1 channel (SW) + 1 channel (HW)
- **USB2.0 (Function/Host)** : 2 channels (Max.)
- **Ethernet-MAC**
1 channel (Max.) MII : 1ch (Max.)/RMII : 1ch (Max.)
- **Multi-function Serial Interface** : 8 channels (Max.)
Selectable from UART/CSI0/LIN/I²C
- **External Bus Interface**
- **DMA Controller** : 8 channels
- **External Interrupt Controller Unit**
 - Up to 32 external vectors
 - Include one non-maskable interrupt (NMI)
- **12-bit A/D Converter** :
MB9BF216S/217S/218S : 24 channels (3 units)
MB9BF216T/217T/218T : 32 channels (3 units)
- **Low Power Mode**
Sleep mode/Timer mode/Stop mode supported
- **General Purpose I/O port**
MB9BF216S/217S/218S : 122 (Max.)
MB9BF216T/217T/218T : 154 (Max.)
- **Debug**
 - Serial Wire JTAG Debug Port (SWJ-DP)
 - Embedded Trace Macrocells (ETM)
- **Low Voltage Detector**
- **Clock Super Visor**
- **Power Supply** : 2.7V to 5.5V

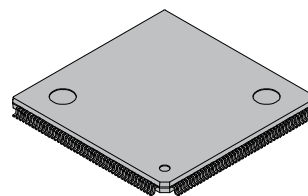
■ PRODUCT LINEUP

Part number / Parameter	MB9BF216S/T	MB9BF217S/T	MB9BF218S/T
Flash (Byte)	512K	768K	1M
RAM (Byte)	64K	96K	128K

■ ORDERING INFORMATION

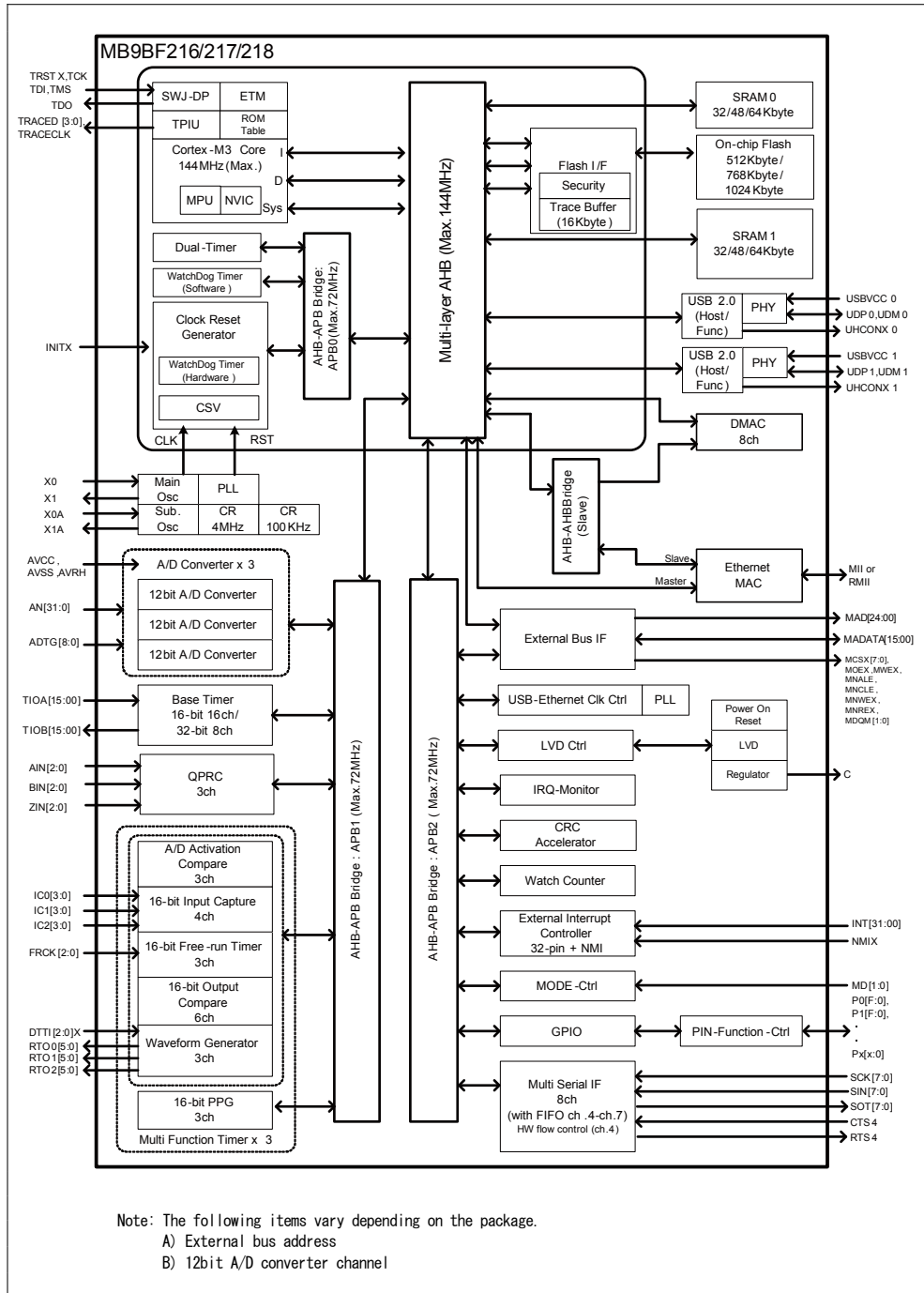
Part number	Package
MB9BF216SPMC	Plastic · LQFP (0.5mm pitch), 144-pin (FPT-144P-M08)
MB9BF217SPMC	
MB9BF218SPMC	
MB9BF216TPMC	Plastic · LQFP (0.5mm pitch), 176-pin (FPT-176P-M07)
MB9BF217TPMC	
MB9BF218TPMC	
MB9BF216TBGL	Plastic · PFBGA (0.8mm pitch), 192-pin (BGA-192P-M06)
MB9BF217TBGL	
MB9BF218TBGL	

■ PACKAGE EXAMPLE OF REFERENCE



Plastic · LQFP, 176-pins
(FPT-176P-M07)

ARM and Cortex are the trademarks of ARM Limited in the EU and other countries.

■ BLOCK DIAGRAM

■ STARTER KIT

A starter kit for FM3 family is on sale respectively from IAR Systems and KEIL.

• IAR Systems

With IAR Systems starter kit, a high performance board can be used for evaluation.

• KEIL

With KEIL starter kit, a simple board can be used for evaluation.