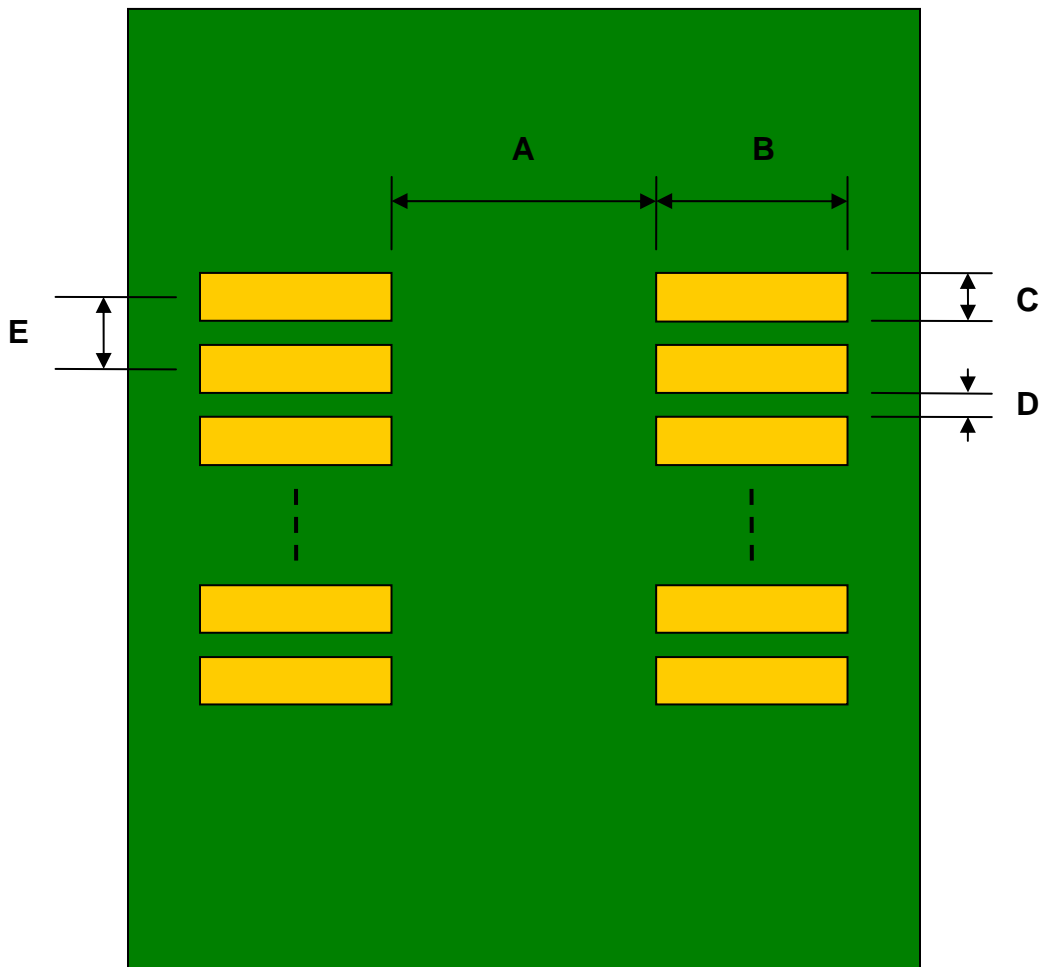


SOP-8 to DIP-8 SMT Adapter (2.54 mm pitch, 9.5 x 6.62 mm body)

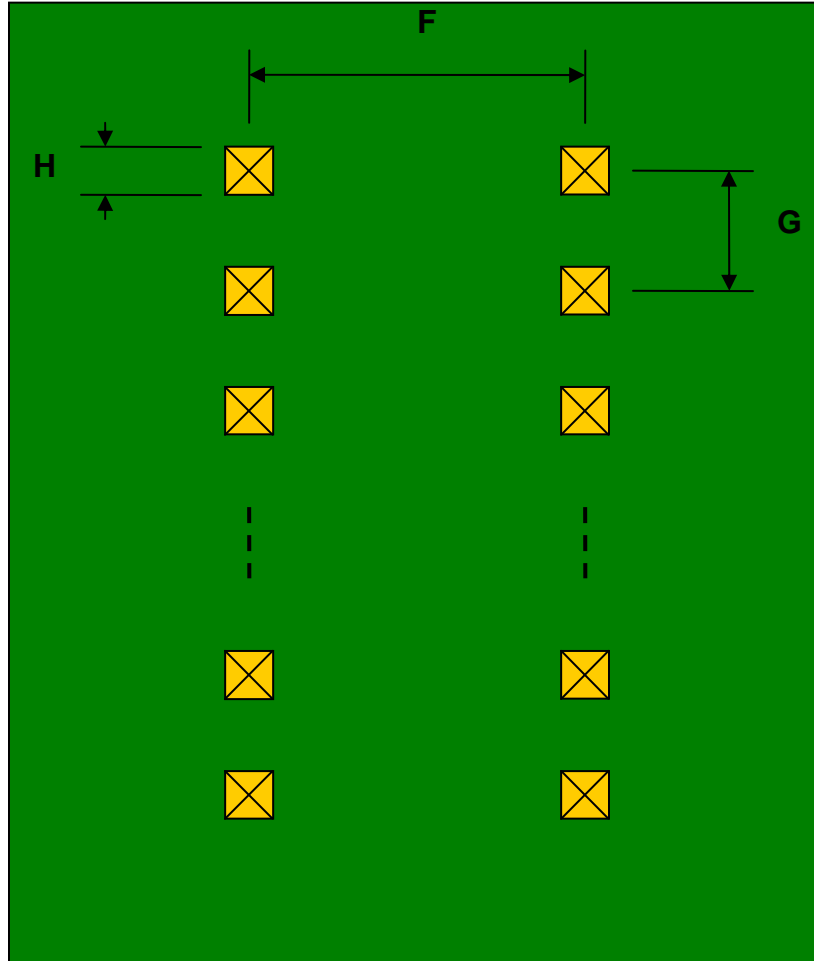
REF.	DIMENSIONS					
	mm			inches		
	MIN.	TYP.	MAX.	MIN.	TYP.	MAX.
A		6.60				
B		3.00				
C		0.80				
D		1.74				
E		2.54				
F					0.600	
G					0.100	
H					0.025	

Top View (SMT Footprint)



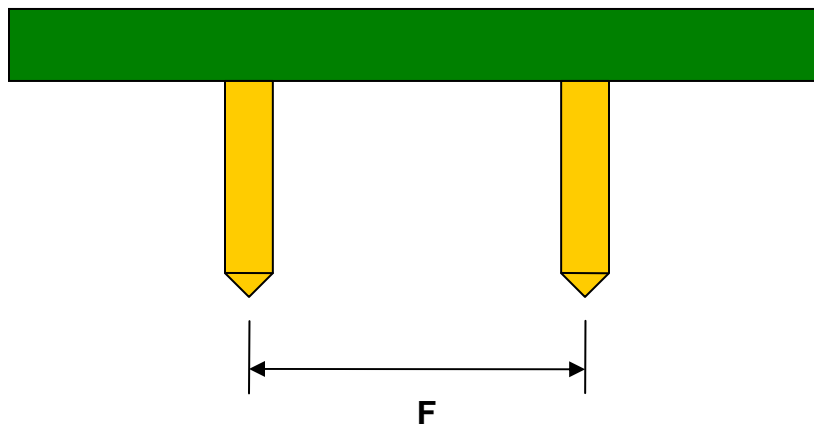
(Representative drawing only - not to scale)

Bottom View (DIP Pins)



(Representative drawing only - not to scale)

Side View (DIP Pins)



(Representative drawing only - not to scale)