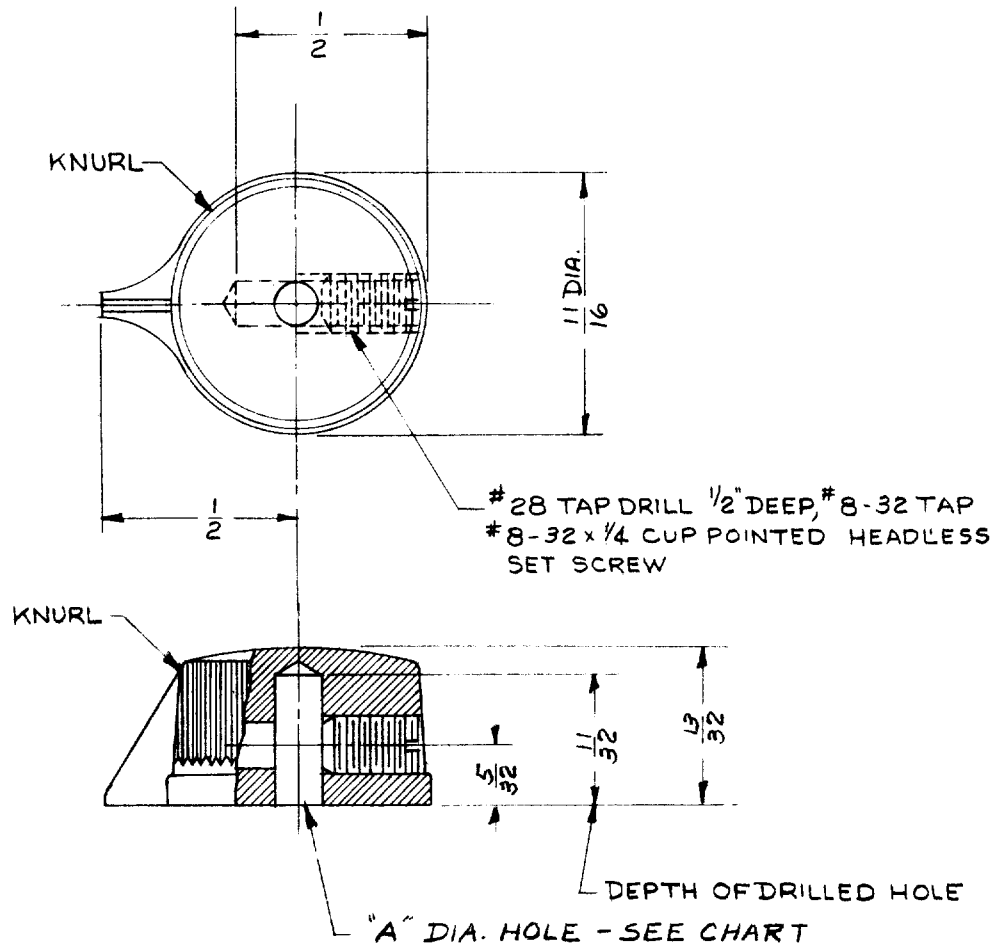


No.	WAS	DATE	APVD.	No.	WAS	DATE	APVD.	No.	WAS	DATE	APVD.
A	CHART ADDED	12-18-58	<i>[Signature]</i>	B	CAT. # KC-6	3-12-62	<i>[Signature]</i>	C	CAT. # KC-7	3-12-62	<i>[Signature]</i>
D				E				F			

OPER. NO.	TOOL NO.	OPERATION
1		PURCHASE FROM HARRY DAVIES MOLDING CO. CHICAGO, ILL.



ORIGINAL

(A)

PART NO.	CATALOGUE NO.	VENDORS NO.	COLOR	A DIA. HOLE	DATE	APVD.
P14469	P-106 (B)	1400-R	BLACK	.126-.130	5-18-54	
P24553	P-107 (C)	1400	WALNUT	.251-.255	12-18-58	<i>[Signature]</i>
P58359	P-199	1400	BLACK	.251-.255	2-14-68	N.N.

TOL. UNLESS SPECIFIED DECIMALS ± .005 FRACTIONS ± .010 ANGLES ±	PRINT CODE 41B-41V N. NELSON-1	INDEX CODE	FINISH SEE CHART	PART NO. SEE CHART
MATERIAL	SUPERSEDES P14469-A	DATE 3-8-54	COST CODE	UNIT NO.
TITLE KNOBS - SWITCHES	MATERIAL LIST			ASS'Y DWG.
STATUS A	SCALE 2" = 1"	CHECKED <i>[Signature]</i>	DATE 5-18-54	APPR'D <i>[Signature]</i>
DR. H.F.H.	DATE 5-18-54	ENG. <i>[Signature]</i>	DATE 3-24-54	DATE 5-25-54
Centralab. A DIV. OF GLOBE-UNION INC. MILWAUKEE			SHEET NO. P 14469	NO. SHEETS A