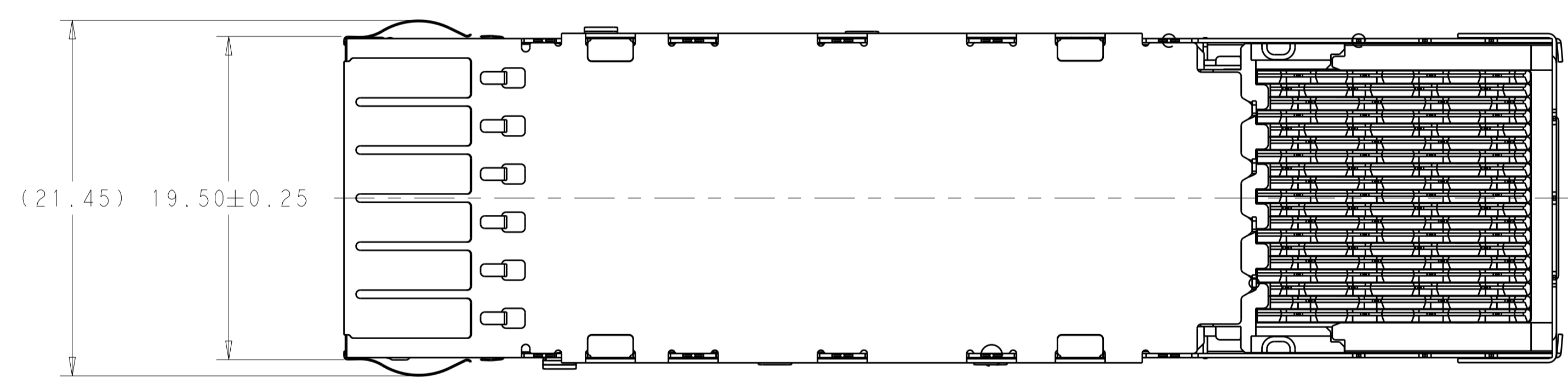
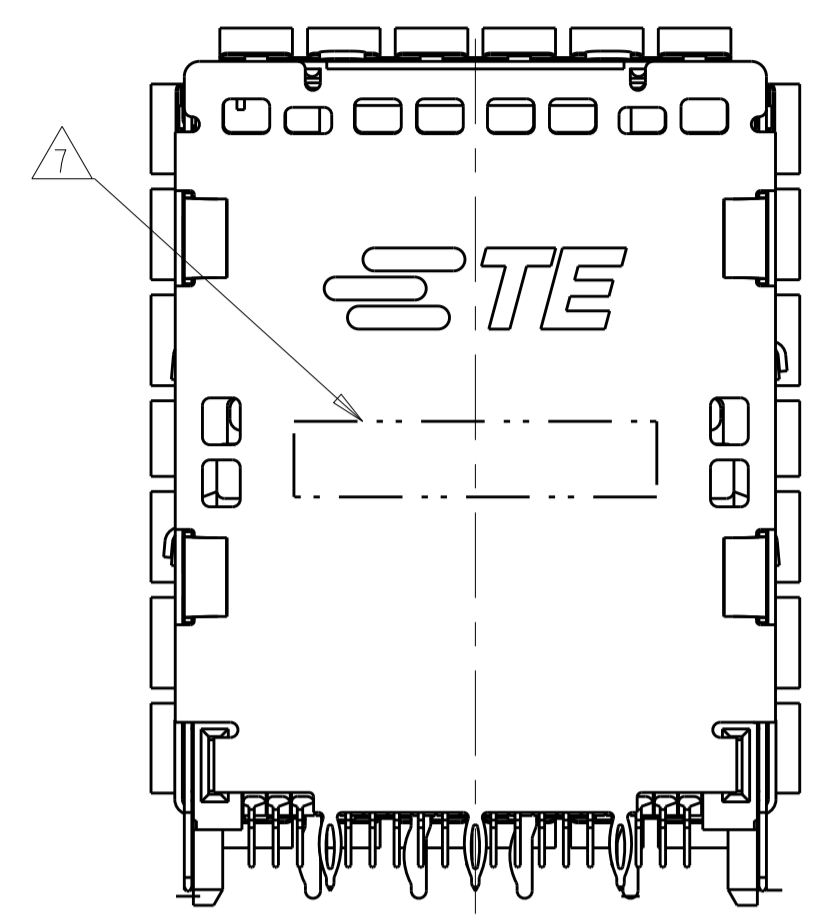
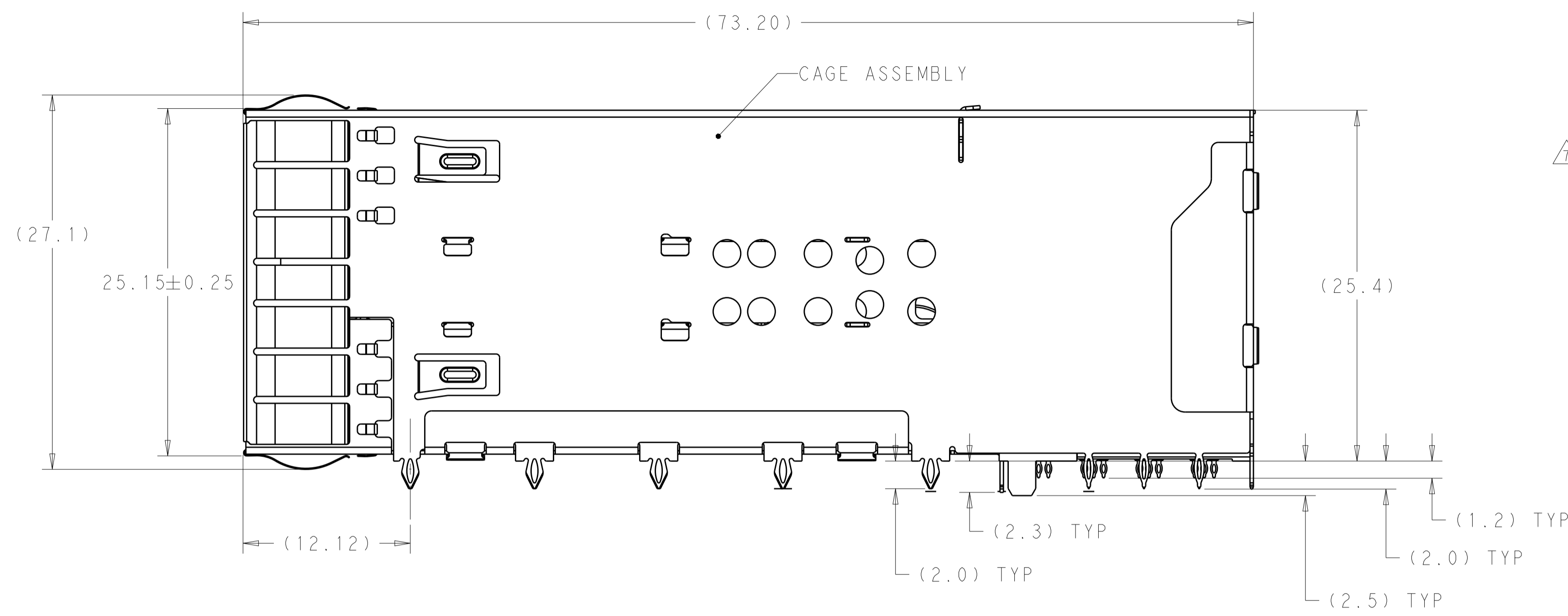
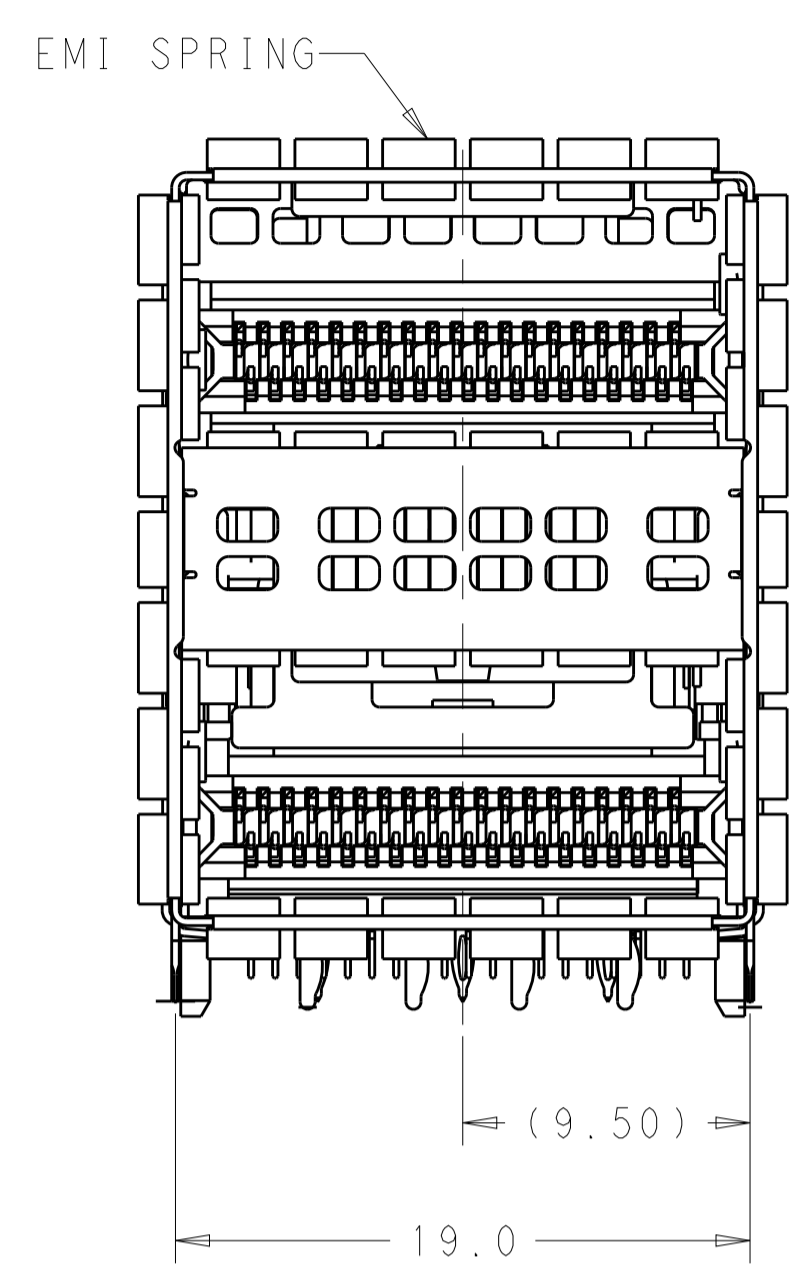


LOC	DIST	REVISIONS					
GP	00	P	LTN	DESCRIPTION	DATE	DWN	APVD
		A		RELEASED FOR PRODUCTION	02MAR2016	TX	SH



- MATERIALS:
 CAGE ASSEMBLY- NICKEL SILVER ALLOY PER ASTM B 122.
 EMI SPRING- COPPER ALLOY, NICKEL PLATED.
 HOUSING- POLYESTER LCP WITH 94V-0.
 CHICKLET- POLYESTER LCP WITH 94V-0.
 CONTACT- COPPER ALLOY.
 LIGHTPIPE- POLYCARBONATE WITH 94V-0.
- CONTACT FINISH: 0.76µm GOLD ON MATING END, 1.25µm MATT TIN ON SOLDER TAIL, ALL OVER 1.27µm NICKEL.
- DATUM AND BASIC DIMENSION ESTABLISHED BY CUSTOMER.
- MINIMUM PCB THICKNESS OF 1.57.
- THE ENTIRE AREA OF THE CONNECTOR FOOTPRINT, INDICATED BY THE DASHED LINE, TO BE CONSIDERED THE KEEPOUT AREA FOR COMPONENTS.
- CROSS-HATCHED AREAS REPRESENT ZONES ON THE PCB THAT COME IN CONTACT WITH OR BE IN CLOSE PROXIMITY TO THE PLASTIC HOUSING OR THE CONNECTOR CAGE. INDICATED AREAS TO BE CONSIDERED TRACE FREE.
- PART NUMBER AND DATE CODE MADE IN APPROXIMATE AREA SHOWN.
- CONTACT FINISH: 0.08µm MINIMUM GOLD OVER 0.68µm PALLADIUM-NICKEL ON MATING END, 1.25µm MATT TIN ON SOLDER TAIL, ALL OVER 1.27µm NICKEL.
- HATCHED AREA IS PLACEMENT ZONE FOR LED. LED SHOULD BE CENTERED WITHIN ZONE. RECOMMEND 0805 PACKAGE.

CONTACT FINISH	DESCRIPTION	PART NUMBER
2	ROUND INDICATOR, 4LP	1-2227669-1
2	ALL INDICATOR DOWN, 4LP	1-2227669-0
2	LEFT INDICATOR DOWN, 4LP	2227669-9
2	LEFT INDICATOR UP, 4LP	2227669-8
2	ALL INDICATOR UP, 4LP	2227669-7
8	LEFT INDICATOR DOWN	2227669-6
8	LEFT INDICATOR UP	2227669-5
8	NO LIGHT PIPE	2227669-4
2	LEFT INDICATOR DOWN	2227669-3
2	LEFT INDICATOR UP	2227669-2
2	NO LIGHTPIPE	2227669-1

THIS DRAWING IS A CONTROLLED DOCUMENT.

DWN: M. SHIRK 16JAN2013
 CHK: D. SZCZESNY 16JAN2013

TE Connectivity

NAME: CAGE AND CONNECTOR ASSEMBLY, WITH EMI SPRING FINGERS, THRU BEZEL, 2X1, ZQSF+ STACKED

PRODUCT SPEC: 108-60102
 APPLICATION SPEC: 114-60015

SIZE: A1
 CAGE CODE: 00779
 DRAWING NO: 2227669

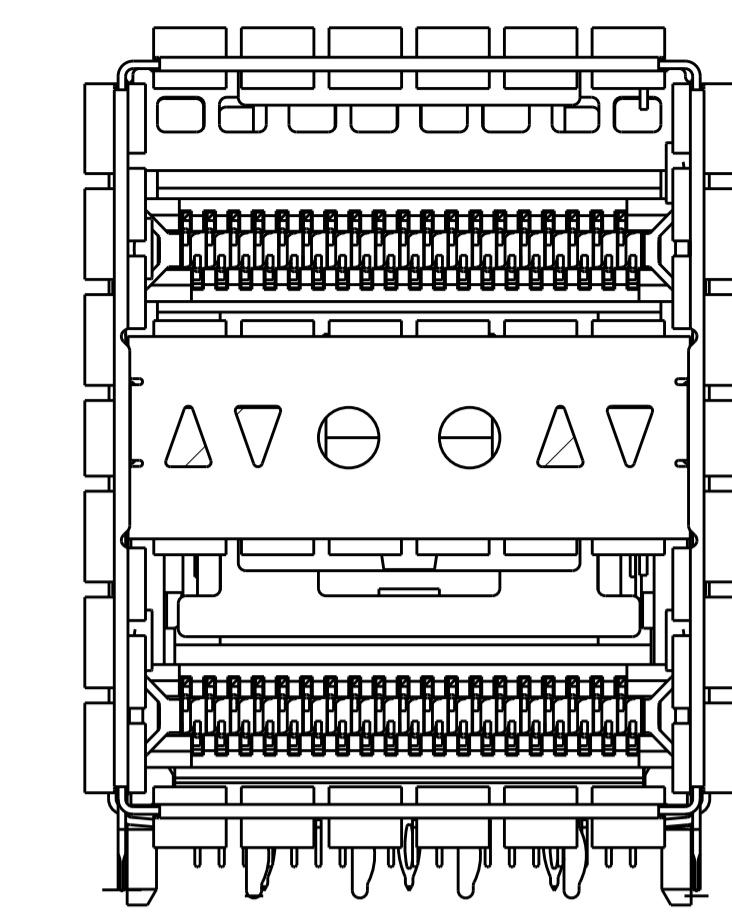
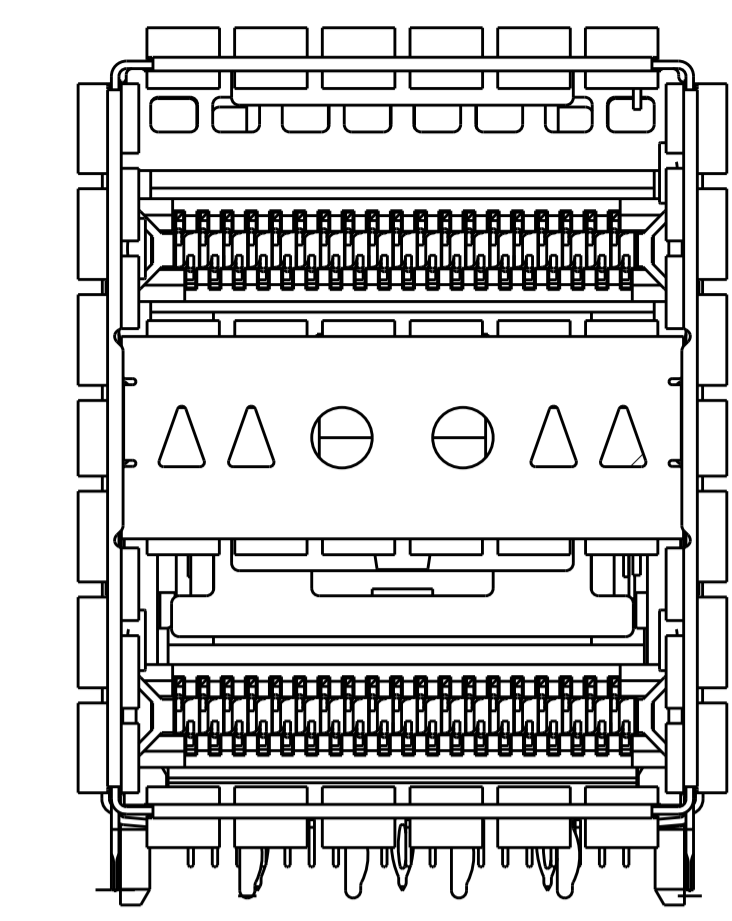
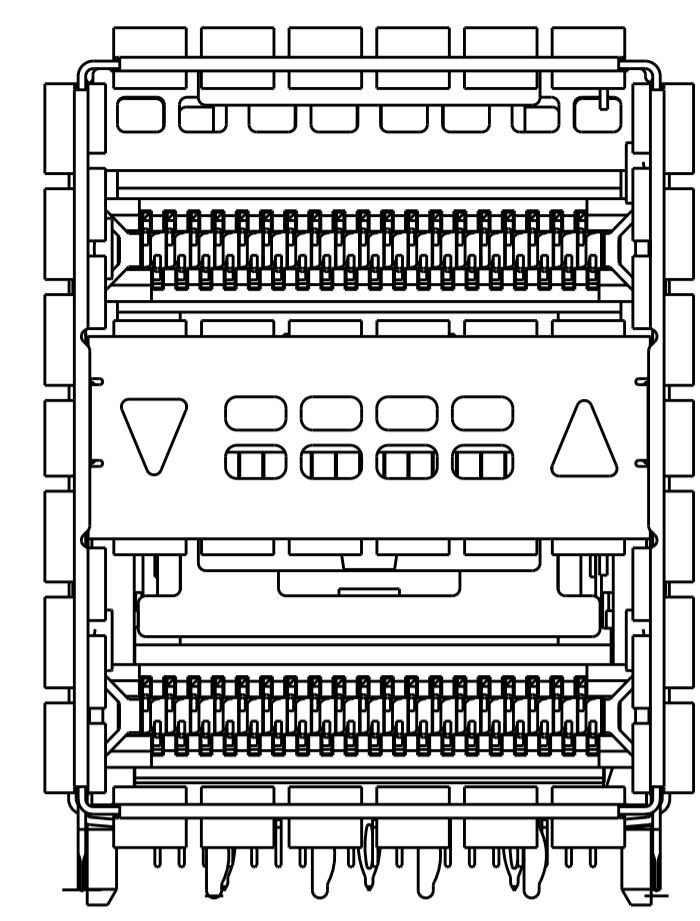
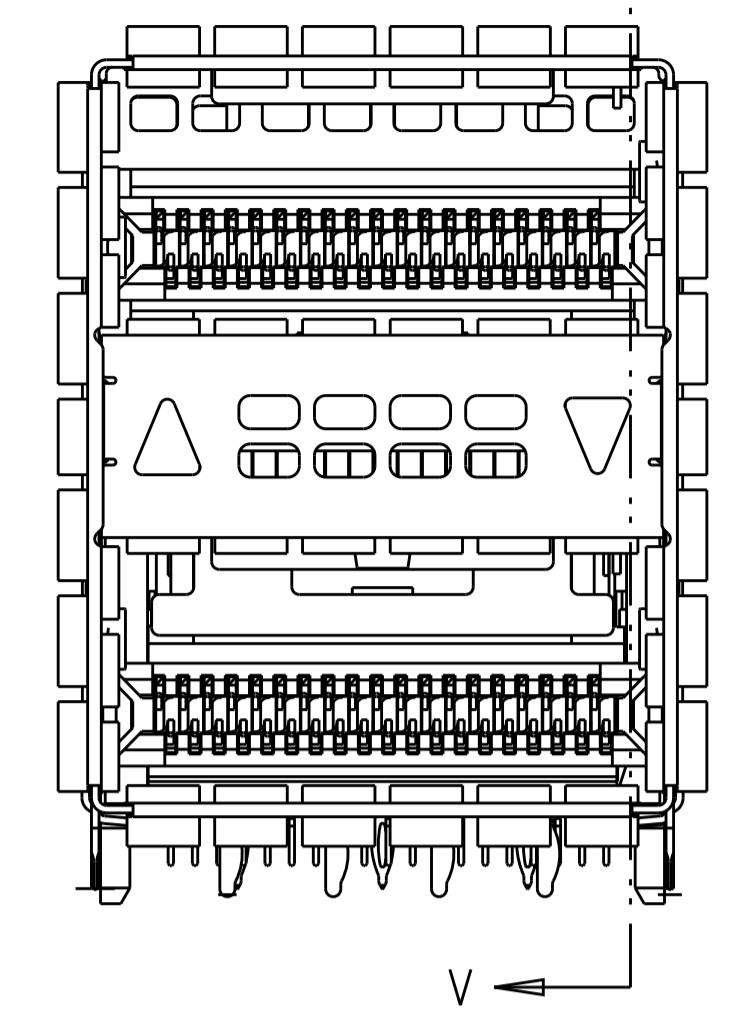
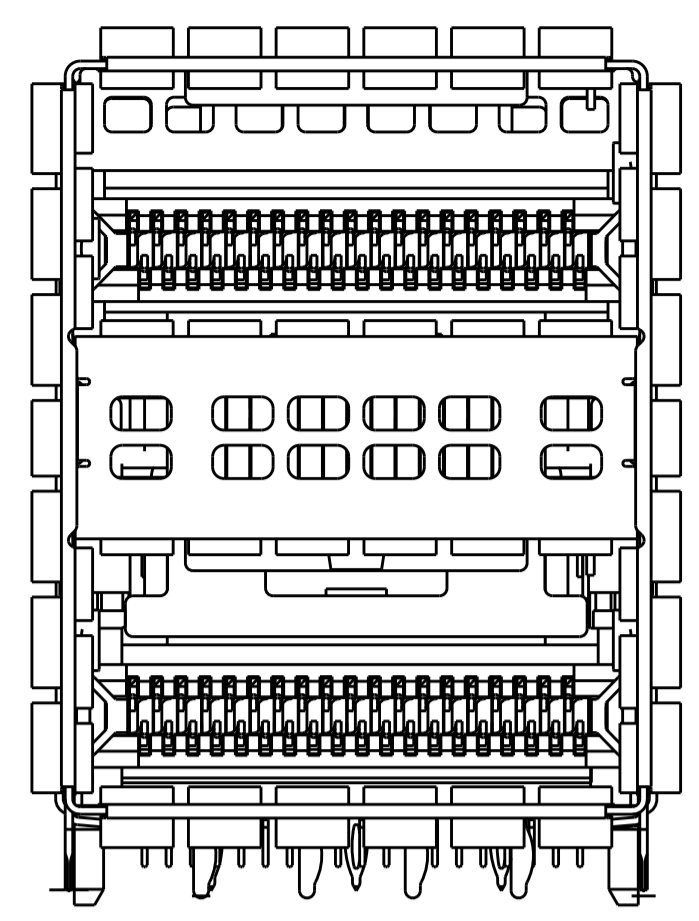
RESTRICTED TO: -

MATERIAL: SEE NOTE 1

CUSTOMER DRAWING

SCALE: 4:1 SHEET 1 OF 5 REV A

LOC		DIST		REVISIONS			
P	LTN	DESCRIPTION	DATE	DMN	APVD		
-	-	SEE SHEET 1	-	-	-		



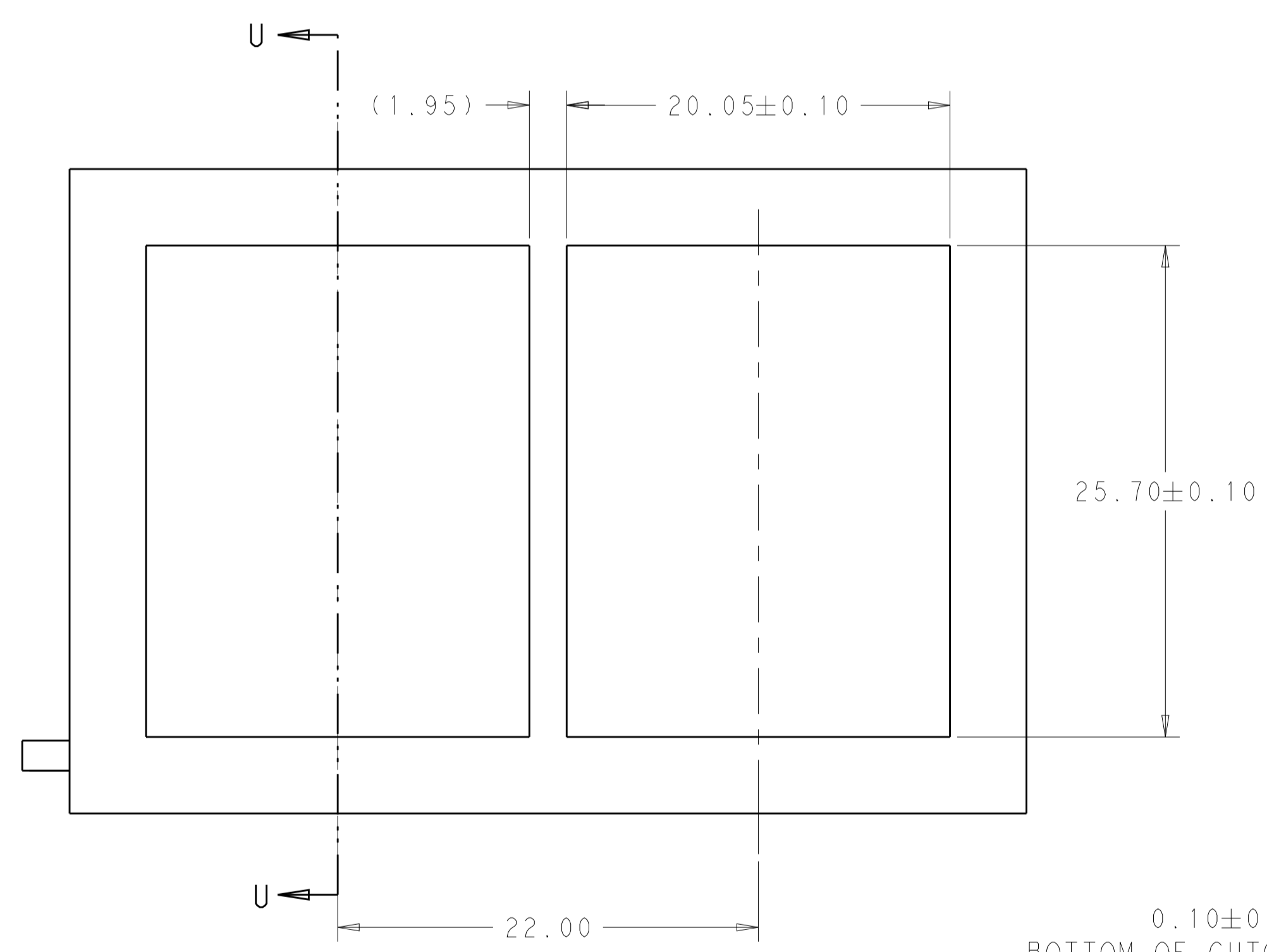
2227669-1 / 2227669-4
NO LIGHTPIPE IN ASSEMBLY

2227669-2 / 2227669-5
LEFT INDICATOR UP

2227669-3 / 2227669-6
LEFT INDICATOR DOWN

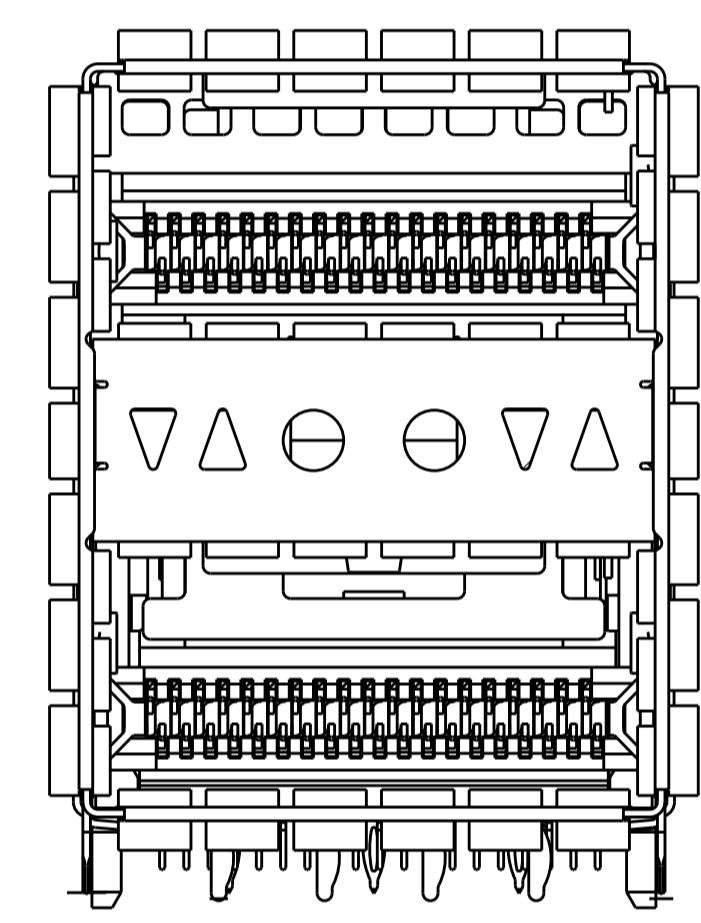
2227669-7
ALL INDICATOR UP, 4LP

2227669-8
LEFT INDICATOR UP, 4LP

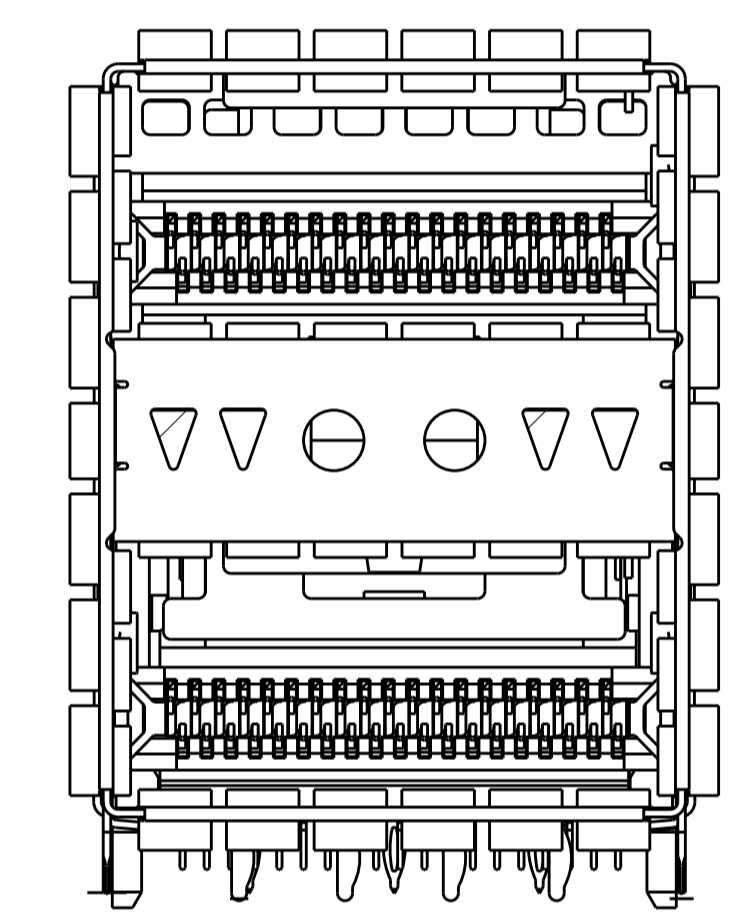


RECOMMENDED PANEL CUTOUT
AND PC BOARD, PANEL POSITION

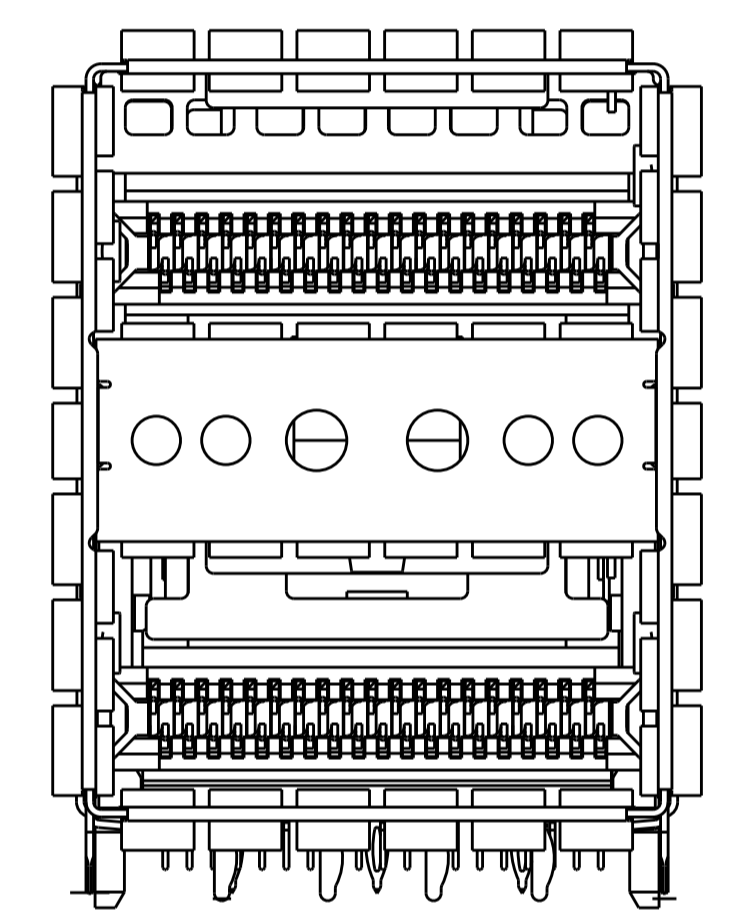
0.10±0.10
BOTTOM OF CUTOUT
IN PANEL TO TOP
OF PC BOARD



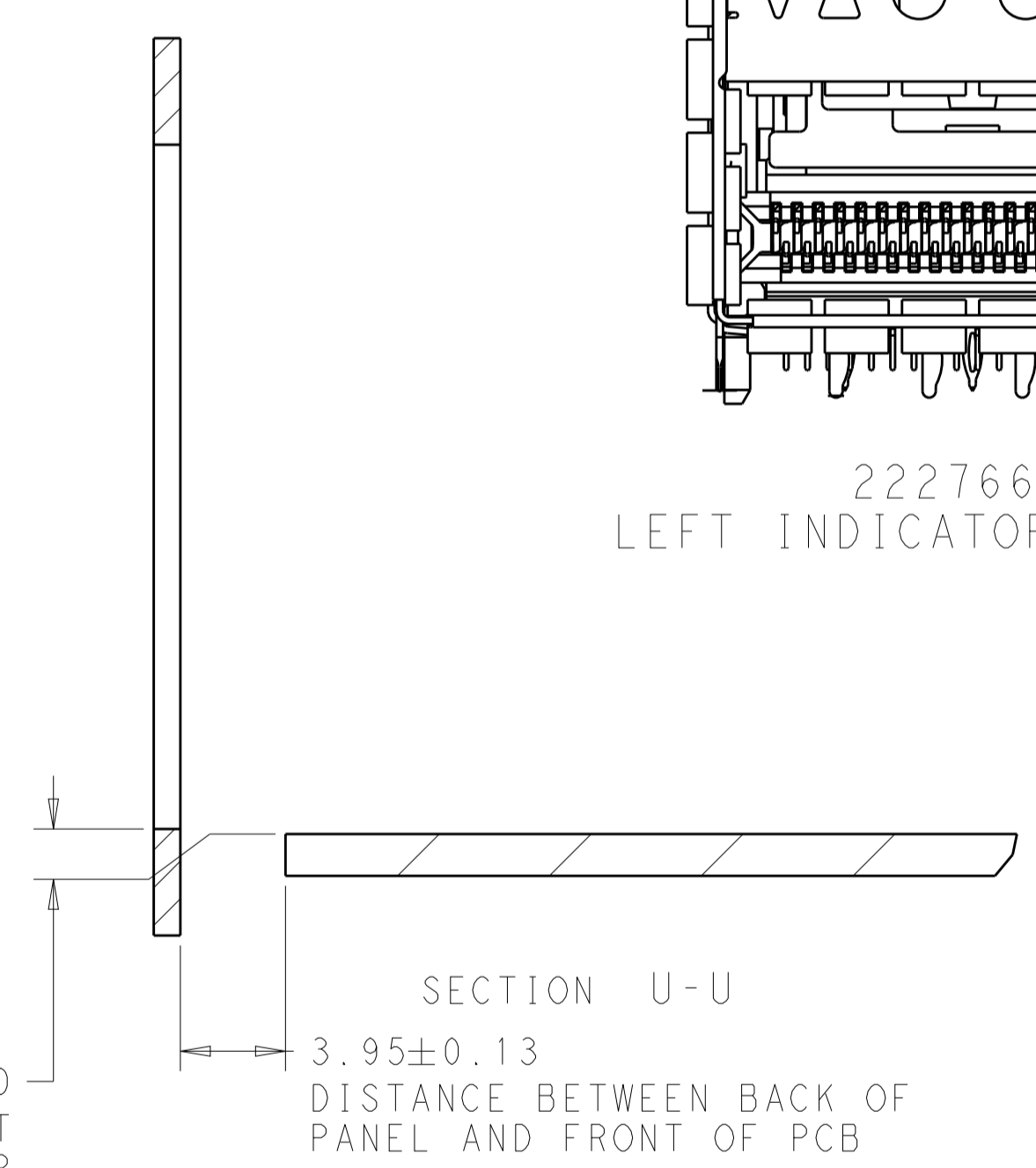
2227669-9
LEFT INDICATOR DOWN, 4LP



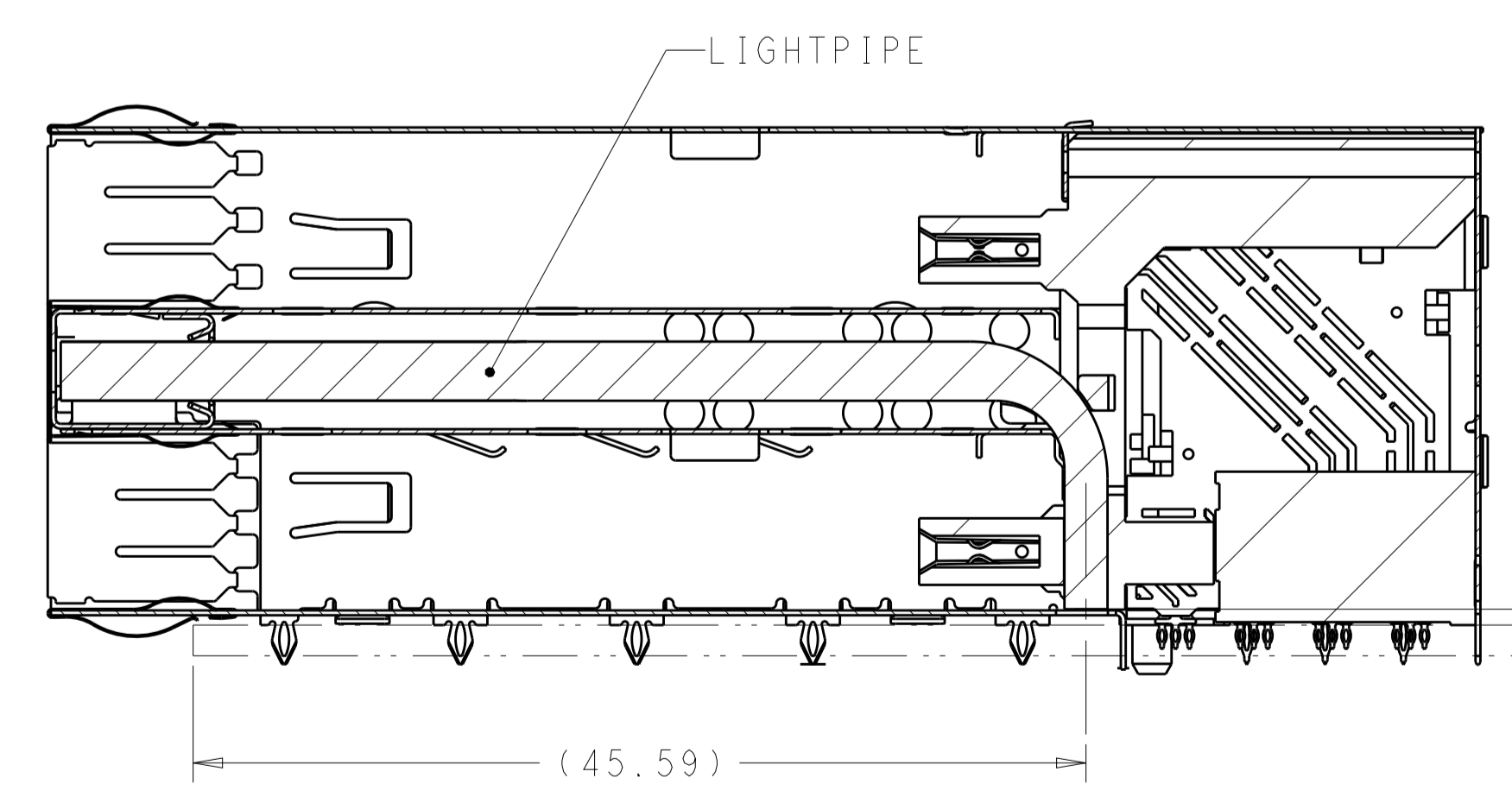
1-2227669-0
ALL INDICATOR DOWN, 4LP



1-2227669-1
ROUND SHAPE INDICATORS, 4LP



SECTION U-U
3.95±0.13
DISTANCE BETWEEN BACK OF
PANEL AND FRONT OF PCB



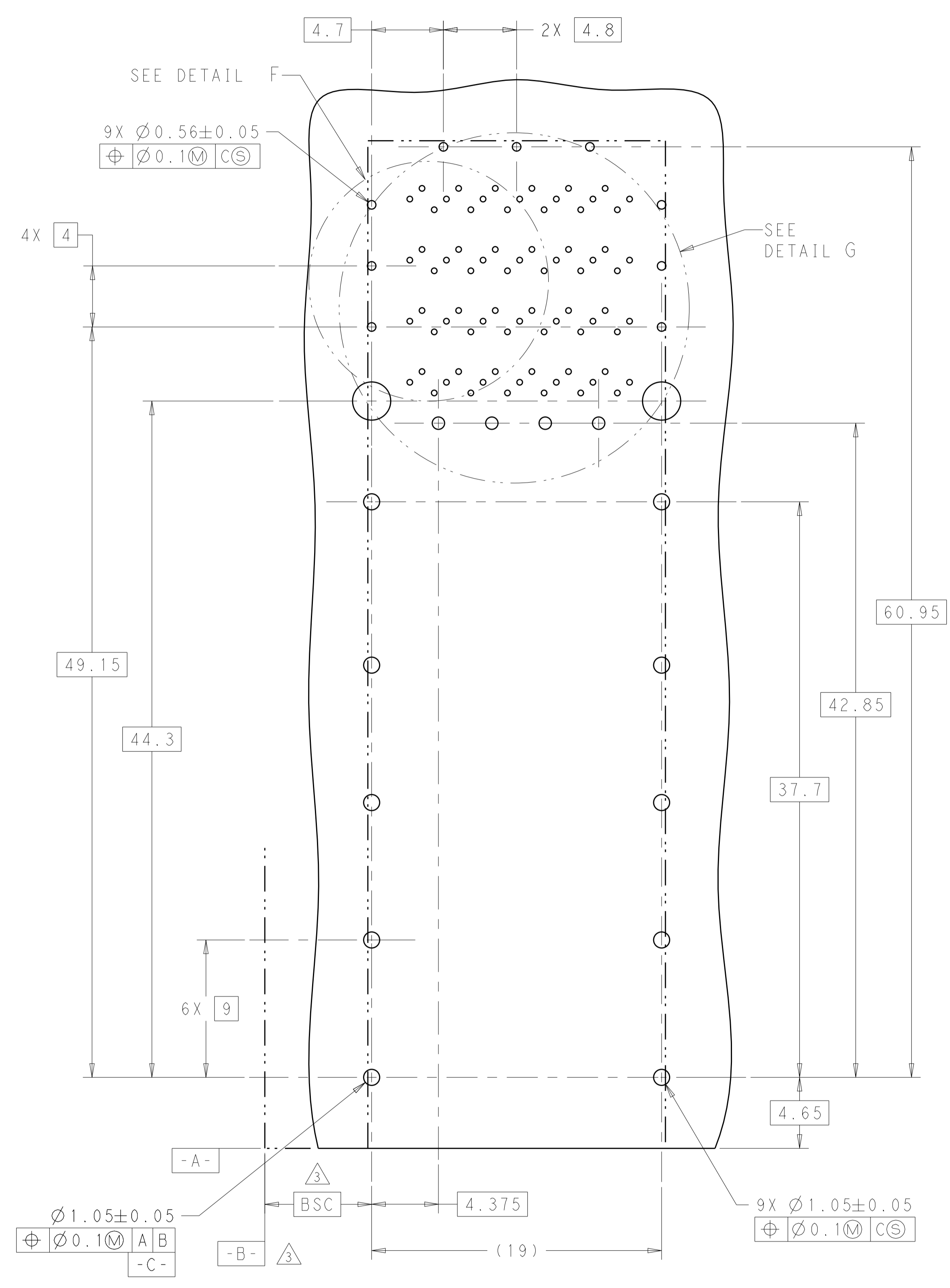
SECTION V-V
SCALE 3:1

(0.81)
RECOMMENDED 0805
PACKAGE SMD CHIP
LED LAMPS

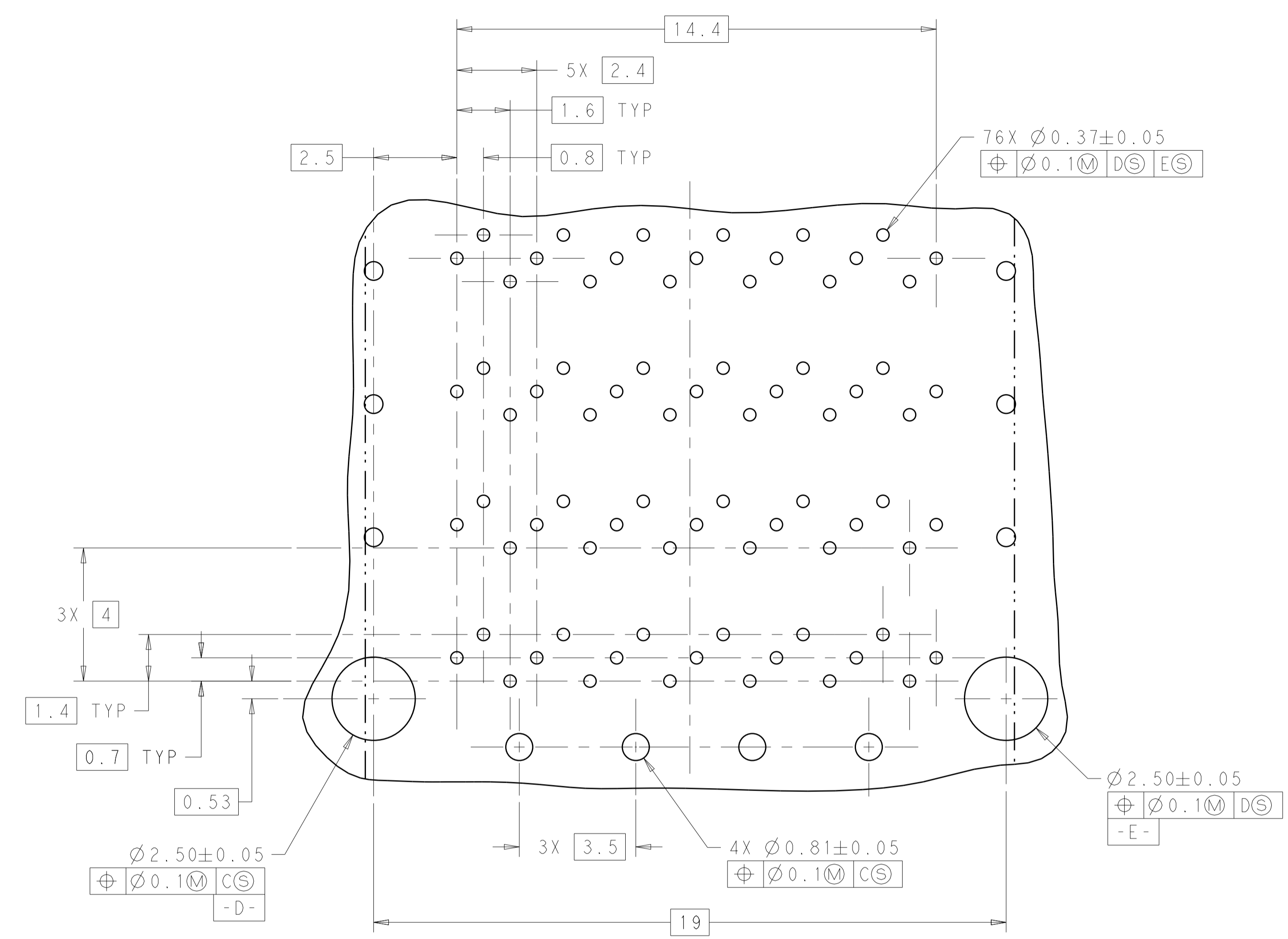
1.57 MIN PCB

THIS DRAWING IS A CONTROLLED DOCUMENT.		DMN: M. SHIRK 16JAN2013	TE Connectivity
DIMENSIONS: mm		CHK: D. SZCZESNY 16JAN2013	
TOLERANCES UNLESS OTHERWISE SPECIFIED:		APVD: -	NAME: CAGE AND CONNECTOR ASSEMBLY, WITH EMI SPRING FINGERS, THRU BEZEL, 2X1, ZQSFP+ STACKED
0 PLC ±	1 PLC ±0.25	PRODUCT SPEC: 108-60102	SIZE: 114-60015
2 PLC ±0.15	3 PLC ±	APPLICATION SPEC: -	WEIGHT: -
4 PLC ±	ANGLES ±	FINISH: -	RESTRICTED TO: -
MATERIAL: -	FINISH: -	WEIGHT: -	SCALE: 4:1
SEE NOTE 1	-	CUSTOMER DRAWING	SHEET 1 OF 5

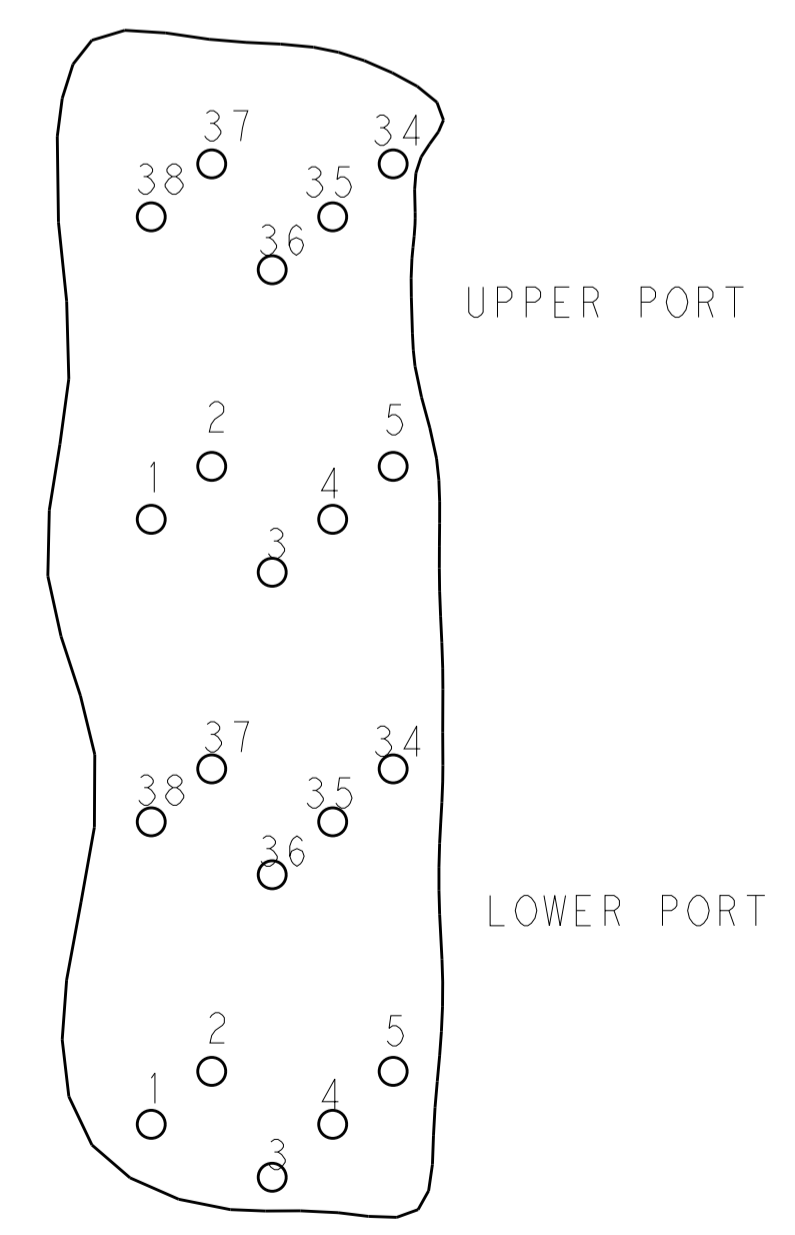
LOC	DIST	REVISIONS			
P	LTN	DESCRIPTION	DATE	DWN	APVD
-	-	SEE SHEET 1	-	-	-



RECOMMENDED PC BOARD LAYOUT
 COMPONENT SIDE OF BOARD
 SCALE 5:1
 (PCB TOLERANCE: ±0.05)



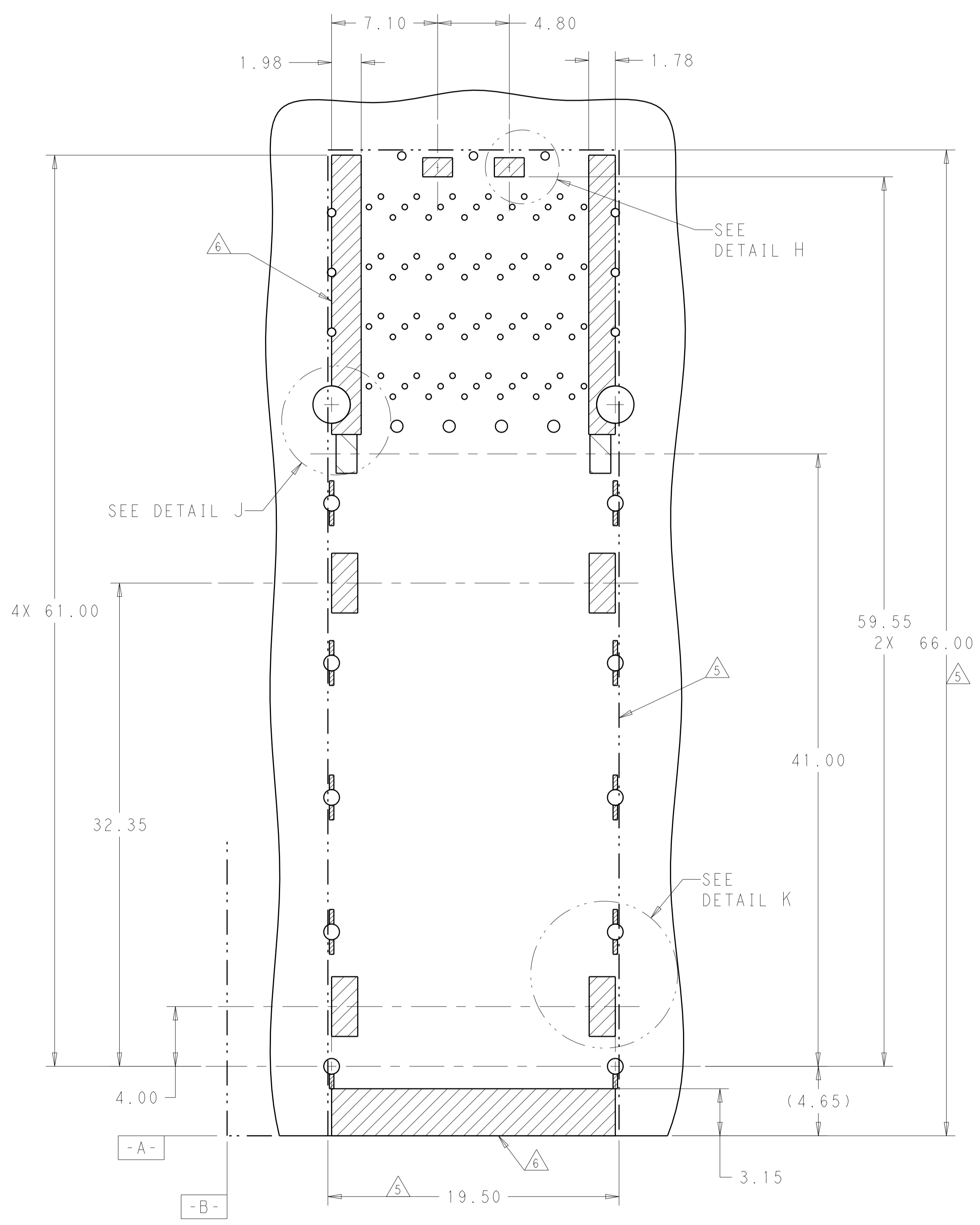
DETAIL G
 SCALE 10:1



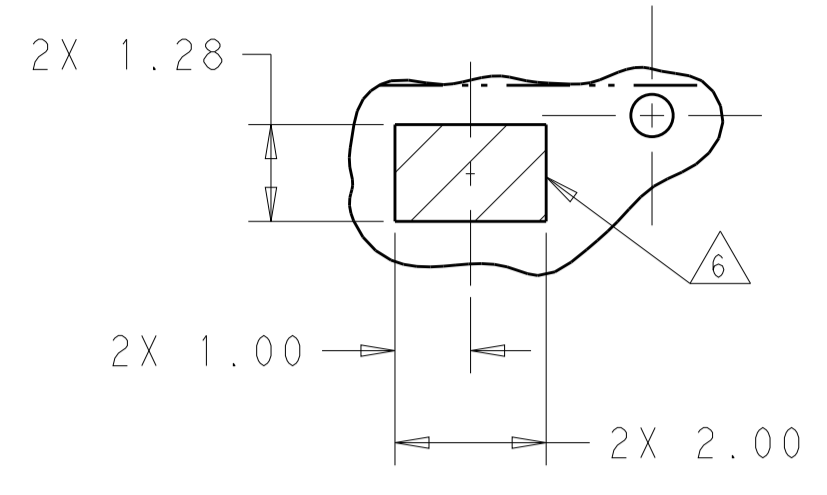
DETAIL F
 SCALE 10:1
 PIN ASSIGNMENTS

THIS DRAWING IS A CONTROLLED DOCUMENT.		DWN: M. SHIRK 16JAN2013	TE Connectivity
DIMENSIONS: mm		CHK: D. SZCZESNY 16JAN2013	
TOLERANCES UNLESS OTHERWISE SPECIFIED:		APVD: -	NAME: CAGE AND CONNECTOR ASSEMBLY, WITH EMI SPRING FINGERS, THRU BEZEL, 2X1, ZQSFP+ STACKED
0 PLC ±	1 PLC ±0.25	PRODUCT SPEC: 108-60102	SIZE: 114-60015
2 PLC ±0.15	3 PLC ±	APPLICATION SPEC: -	RESTRICTED TO: -
4 PLC ±	ANGLES ±	WEIGHT: -	SCALE: 4:1
MATERIAL: -	FINISH: -	CUSTOMER DRAWING: -	SHEET 1 OF 5
SEE NOTE 1			REV A

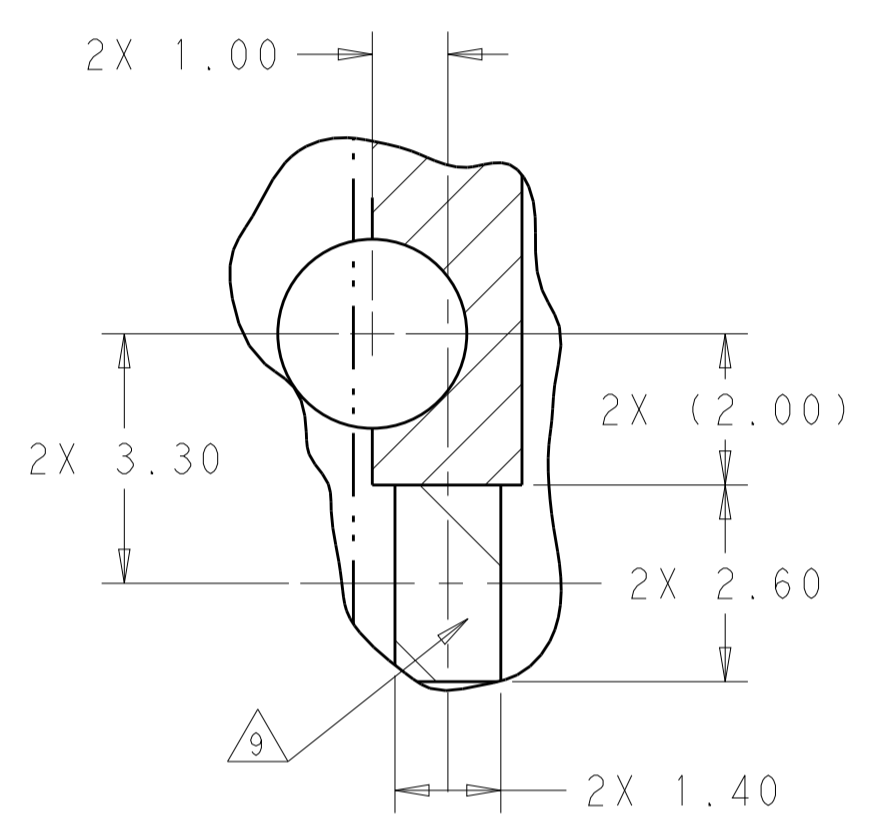
LOC	DIST	REVISIONS			
P	LTN	DESCRIPTION	DATE	DWN	APVD
-	-	SEE SHEET 1	-	-	-



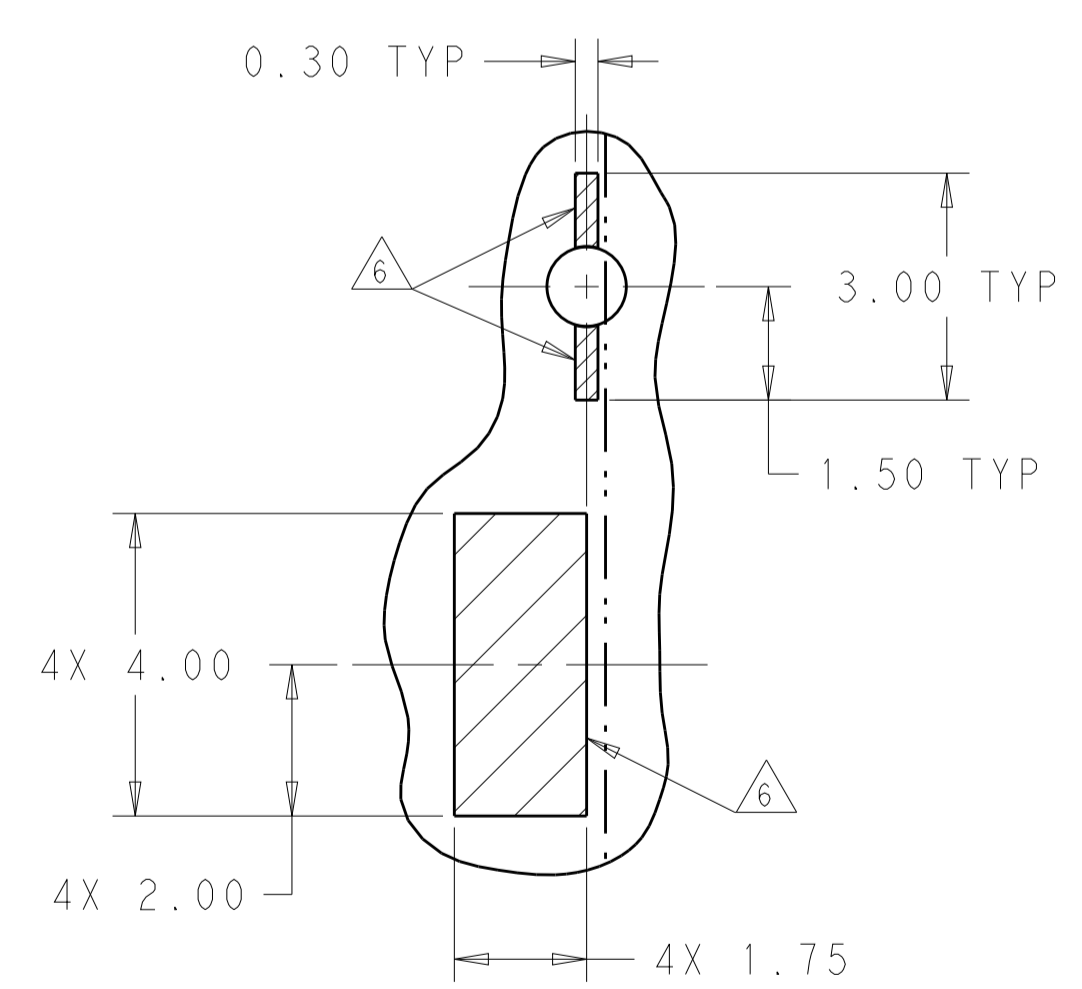
KEEPOUT AREAS FOR 2LP APPLICATION
 COMPONENT SIDE OF BOARD
 SCALE 5:1



DETAIL H
 SCALE 10:1



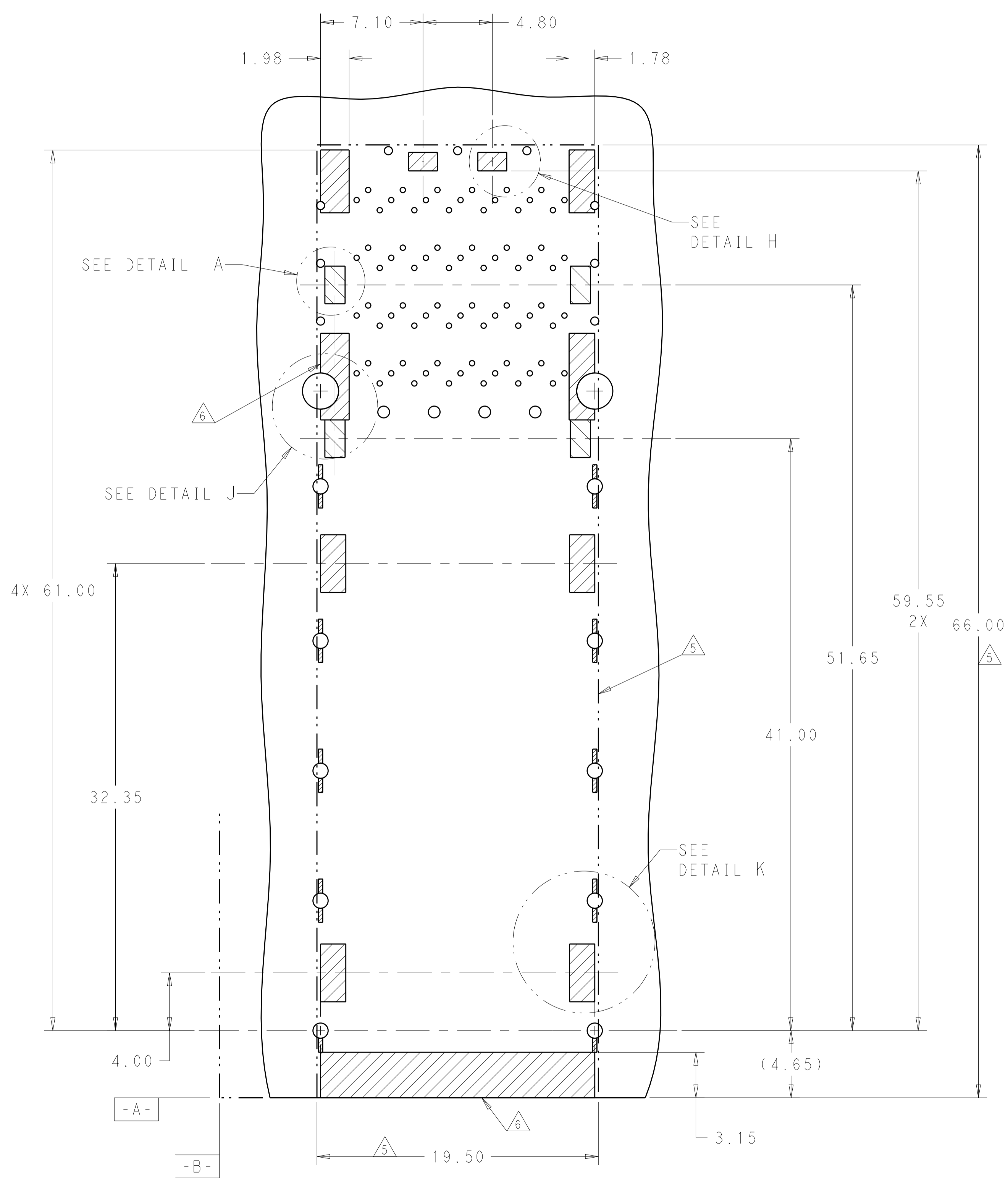
DETAIL J
 LED PADS
 SCALE 10:1



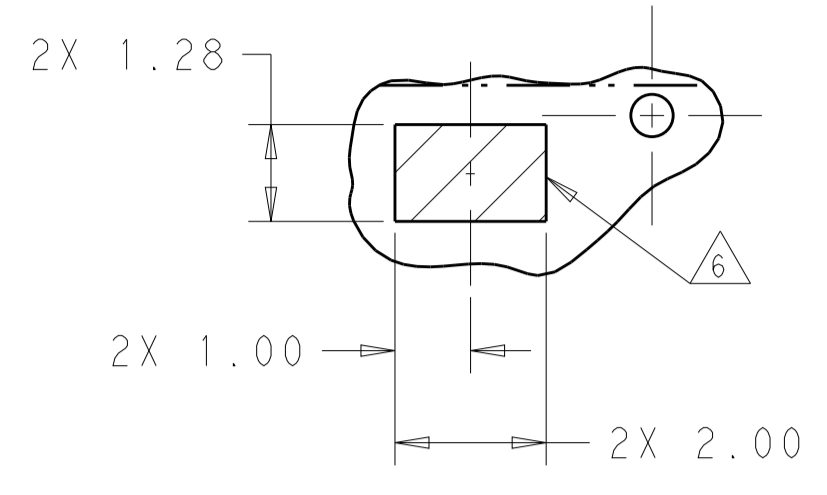
DETAIL K
 SCALE 10:1

THIS DRAWING IS A CONTROLLED DOCUMENT.		DWN M. SHIRK 16JAN2013	NAME CAGE AND CONNECTOR ASSEMBLY, WITH EMI SPRING FINGERS, THRU BEZEL, 2X1, ZQSFP+ STACKED
DIMENSIONS: mm		CHK D. SZCZESNY 16JAN2013	RESTRICTED TO
TOLERANCES UNLESS OTHERWISE SPECIFIED:		APVD	SCALE 4:1 SHEET 1 OF 5 REV A
0 PLC ±0.25	1 PLC ±0.15	PRODUCT SPEC 108-60102	SIZE A100779
2 PLC ±0.15	3 PLC ±0.15	APPLICATION SPEC 114-60015	CAGE CODE C=2227669
4 PLC ±0.15	ANGLES ±0.15	WEIGHT	CUSTOMER DRAWING
MATERIAL SEE NOTE 1	FINISH		

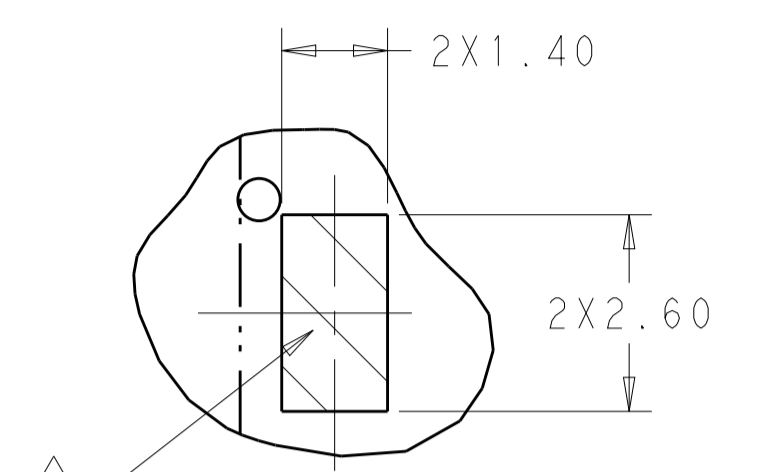
LOC	DIST	REV	DATE	BY	APPV
		1			



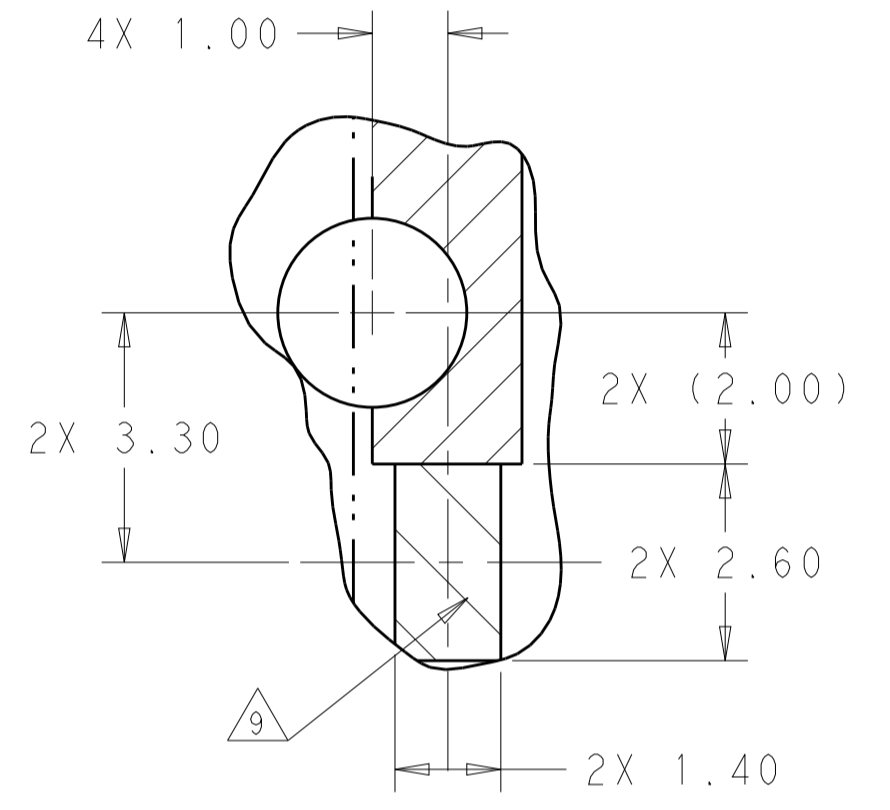
KEEPOUT AREAS FOR 4 LP APPLICATION
 COMPONENT SIDE OF BOARD
 SCALE 5:1



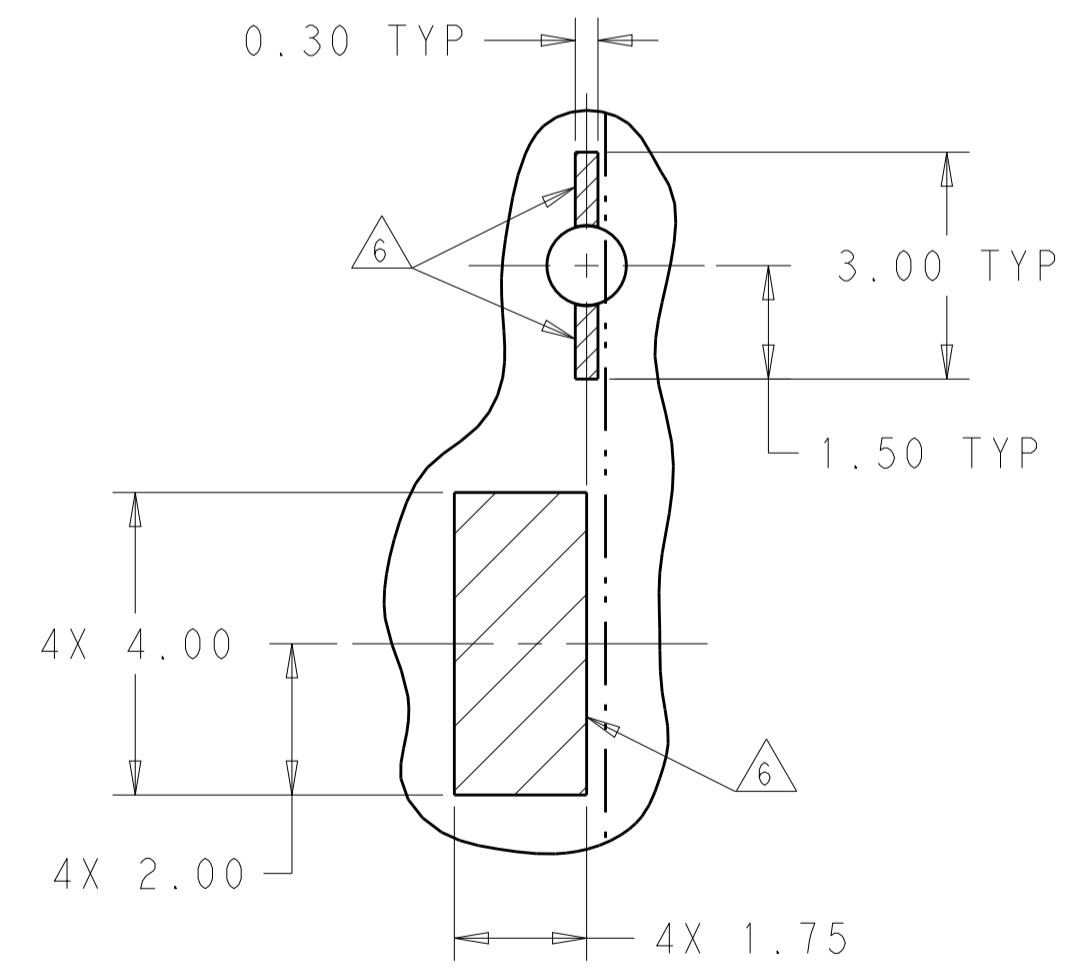
DETAIL H
 SCALE 10:1



DETAIL A
 SCALE 10:1



DETAIL J
 LED PADS
 SCALE 10:1



DETAIL K
 SCALE 10:1

THIS DRAWING IS A CONTROLLED DOCUMENT.		DWN M. SHIRK 16JAN2013	NAME CAGE AND CONNECTOR ASSEMBLY, WITH EMI SPRING FINGERS, THRU BEZEL, 2X1, ZQSFP+ STACKED
DIMENSIONS: mm		CHK D. SZCZESNY 16JAN2013	RESTRICTED TO
TOLERANCES UNLESS OTHERWISE SPECIFIED: 0 PLC ± 1 PLC ±0.25 2 PLC ±0.15 3 PLC ± 4 PLC ± ANGLES ±		APVD	SCALE 4:1 SHEET 1 OF 5 REV A
MATERIAL SEE NOTE 1		FINISH	PRODUCT SPEC 108-60102 APPLICATION SPEC 114-60015 WEIGHT CUSTOMER DRAWING