

## Feed-through terminal block - DFK-2,8 - 0706016

Please be informed that the data shown in this PDF Document is generated from our Online Catalog. Please find the complete data in the user's documentation. Our General Terms of Use for Downloads are valid (<http://download.phoenixcontact.com>)



Feed-through terminal block, Connection method: Screw connection, Solder/Slip-on connection, Cross section: 0.2 mm<sup>2</sup> - 4 mm<sup>2</sup>, AWG 24 - 12, Width: 6.1 mm, Color: gray



### Key commercial data

|                        |   |
|------------------------|---|
| Packing unit           | 1   |
| Minimum order quantity | 50  |
| Catalog page           | Page 286 (CL-2002)  |
| GTIN                   | <br>4 017918 003678 |
| Custom tariff number   | 85369010  |
| Country of origin      | POLAND  |

### Technical data

#### General

|   |      |
|---|------|
| Number of levels                        | 1    |
| Number of connections                   | 2    |
| Color                                   | gray |
| Insulating material                     | PA   |
| Inflammability class according to UL 94 | V2   |

#### Dimensions

|       |        |
|-------|--------|
| Width | 6.1 mm |
|-------|--------|

#### Technical data

|                                  |          |
|----------------------------------|----------|
| Rated surge voltage              | 4 kV     |
| Pollution degree                 | 3        |
| Surge voltage category           | III      |
| Insulating material group        | I        |
| Connection in acc. with standard | IEC / EN |
| Nominal current I <sub>N</sub>   | 17.5 A   |
| Nominal current I <sub>N</sub>   | As of    |
| Nominal voltage U <sub>N</sub>   | 400 V    |

# Feed-through terminal block - DFK-2,8 - 0706016

## Technical data

### Technical data

|                 |      |
|-----------------|------|
| Open side panel | nein |
|-----------------|------|

### Connection data

|   |                      |
|---|----------------------|
| Conductor cross section solid min.  | 0.2 mm <sup>2</sup>  |
| Conductor cross section solid max.  | 4 mm <sup>2</sup>    |
| Conductor cross section stranded min.   | 0.2 mm <sup>2</sup>  |
| Conductor cross section stranded max.   | 4 mm <sup>2</sup>    |
| Conductor cross section AWG/kcmil min.  | 24                   |
| Conductor cross section AWG/kcmil max   | 12                   |
| Conductor cross section stranded, with ferrule without plastic sleeve min.              | 0.25 mm <sup>2</sup> |
| Conductor cross section stranded, with ferrule without plastic sleeve max.              | 4 mm <sup>2</sup>    |
| Conductor cross section stranded, with ferrule with plastic sleeve min.                 | 0.25 mm <sup>2</sup> |
| Conductor cross section stranded, with ferrule with plastic sleeve max.                 | 2.5 mm <sup>2</sup>  |
| 2 conductors with same cross section, solid min.  | 0.2 mm <sup>2</sup>  |
| 2 conductors with same cross section, solid max.  | 1 mm <sup>2</sup>    |
| 2 conductors with same cross section, stranded min.                                     | 0.2 mm <sup>2</sup>  |
| 2 conductors with same cross section, stranded max.                                     | 1.5 mm <sup>2</sup>  |
| 2 conductors with same cross section, stranded, ferrules without plastic sleeve, min.   | 0.25 mm <sup>2</sup> |
| 2 conductors with same cross section, stranded, ferrules without plastic sleeve, max.   | 1 mm <sup>2</sup>    |
| 2 conductors with same cross section, stranded, TWIN ferrules with plastic sleeve, min. | 0.5 mm <sup>2</sup>  |
| 2 conductors with same cross section, stranded, TWIN ferrules with plastic sleeve, max. | 2.5 mm <sup>2</sup>  |
| Connection method   | Screw connection     |
| Stripping length  | 9 mm                 |
| Internal cylindrical gage   | A3                   |
| Screw thread  | M3                   |
| Tightening torque, min  | 0.6 Nm               |
| Tightening torque max   | 0.8 Nm               |

## Classifications

### eClass

|            |          |
|------------|----------|
| eCl@ss 4.0 | 27141131 |
| eCl@ss 4.1 | 27141131 |
| eCl@ss 5.0 | 27141134 |
| eCl@ss 5.1 | 27141134 |
| eCl@ss 6.0 | 27141134 |
| eCl@ss 7.0 | 27141134 |

# Feed-through terminal block - DFK-2,8 - 0706016

## Classifications

### etim

|          |          |
|----------|----------|
| ETIM 2.0 | EC001283 |
| ETIM 3.0 | EC001283 |
| ETIM 4.0 | EC001283 |
| ETIM 5.0 | EC001283 |

### unspsc

|               |          |
|---------------|----------|
| UNSPSC 6.01   | 30211811 |
| UNSPSC 7.0901 | 39121410 |
| UNSPSC 11     | 39121410 |
| UNSPSC 12.01  | 39121410 |
| UNSPSC 13.2   | 39121410 |

## Approvals

### Approvals


#### Approvals


CSA / UL Recognized / cUL Recognized / GOST / PRS / GOST / cULus Recognized

#### Ex Approvals

#### Approvals submitted

### Approval details

|   |       |
|---|-------|
| CSA  |       |
| Nominal current IN  | 15 A  |
| Nominal voltage UN  | 150 V |

|   |       |
|---|-------|
| UL Recognized  |       |
| mm <sup>2</sup> /AWG/kcmil  | 28-12 |
| Nominal current IN  | 15 A  |
| Nominal voltage UN  | 300 V |

# Feed-through terminal block - DFK-2,8 - 0706016

## Approvals

|                                |       |
|--------------------------------|-------|
| cUL Recognized                 |       |
| mm <sup>2</sup> /AWG/kcmil     | 28-12 |
| Nominal current I <sub>N</sub> | 15 A  |
| Nominal voltage U <sub>N</sub> | 300 V |

|      |  |
|------|--|
| GOST |  |
|------|--|

|     |  |
|-----|--|
| PRS |  |
|-----|--|

|      |  |
|------|--|
| GOST |  |
|------|--|

|                  |  |
|------------------|--|
| cULus Recognized |  |
|------------------|--|

## Accessories

Accessories

Bridges

Insertion bridge - EB 2- 6 - 0201155



Insertion bridge, Number of positions: 2, Color: gray

Insertion bridge - EB 3- 6 - 0201142



Insertion bridge, Number of positions: 3, Color: gray

# Feed-through terminal block - DFK-2,8 - 0706016

## Accessories

Insertion bridge - EB 10- 6 - 0201139



Insertion bridge, Number of positions: 10, Color: gray

---

## Marking

Marker cards - SBS 6:UNBEDRUCKT - 1007222

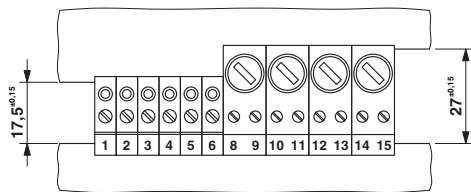


Marker cards, Card, white, Unlabeled, Can be labeled with: Plotter, Mounting type: Snap into tall marker groove, Snap into flat marker groove, For terminal block width: 6.2 mm, Lettering field: 6 x 6.1 mm

---

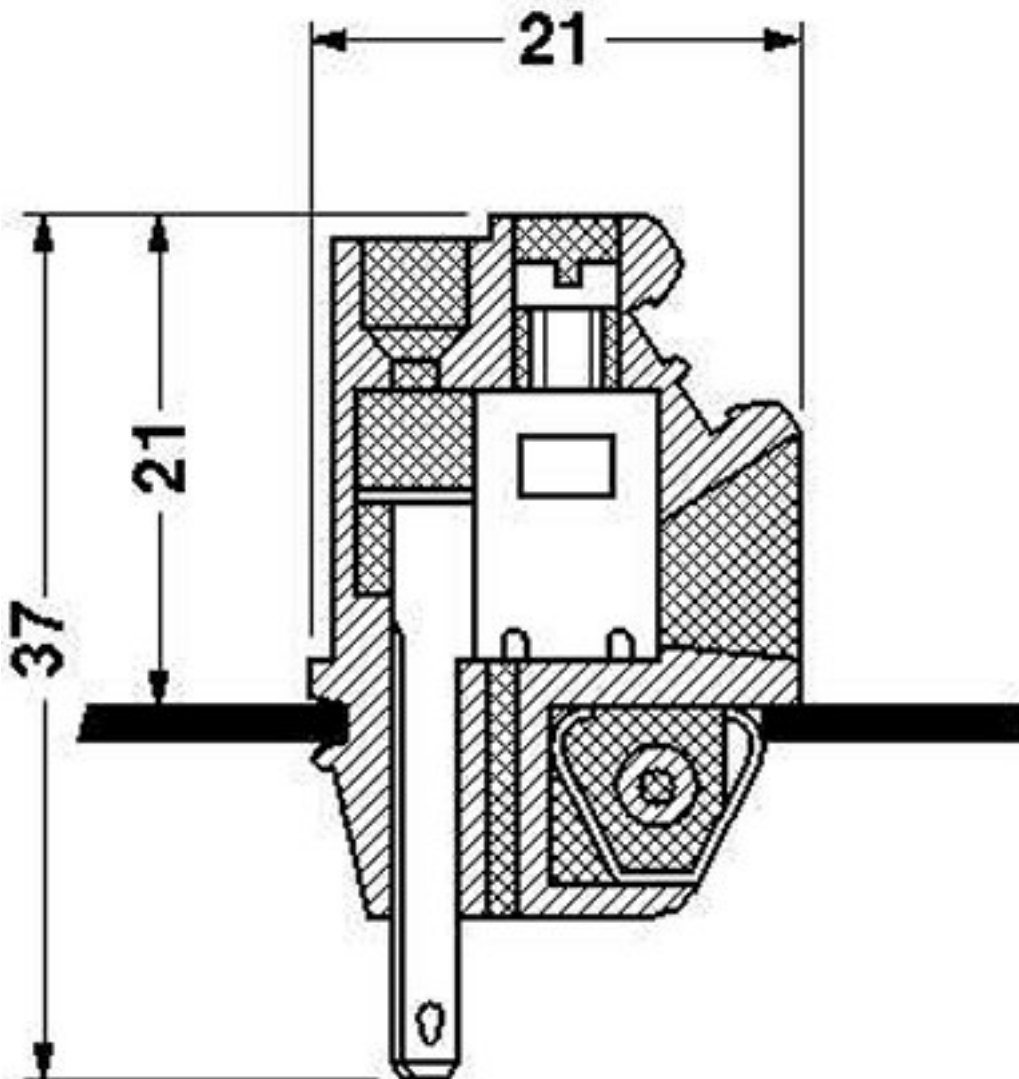
## Drawings

Dimensioned drawing



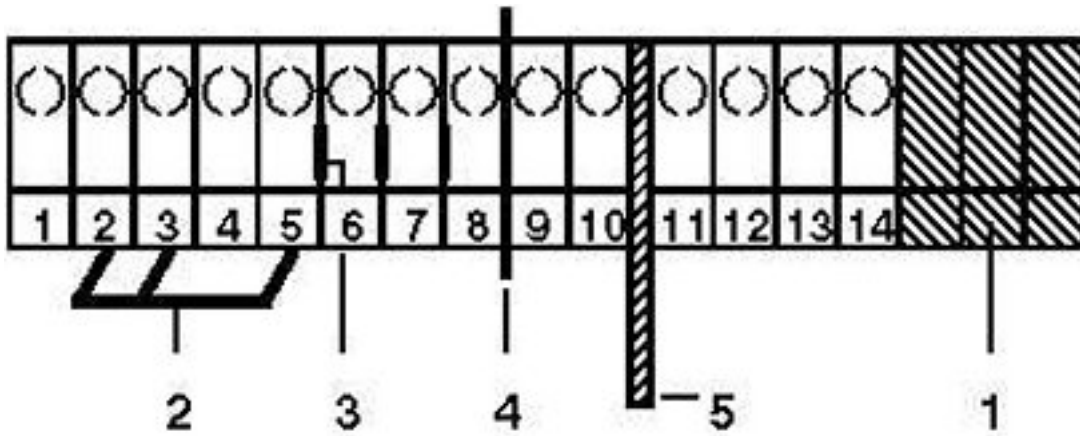
# Feed-through terminal block - DFK-2,8 - 0706016

Dimensioned drawing



# Feed-through terminal block - DFK-2,8 - 0706016

Circuit diagram



- 1 = blind cover
- 2 = insertion bridge
- 3 = separating plate
- 4 = partition plates
- 5 = separating plate