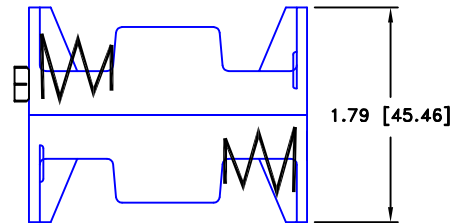
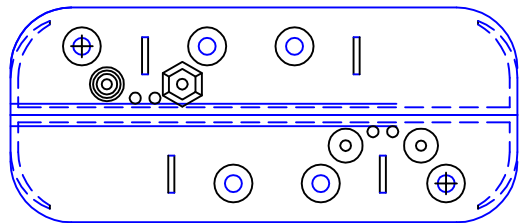
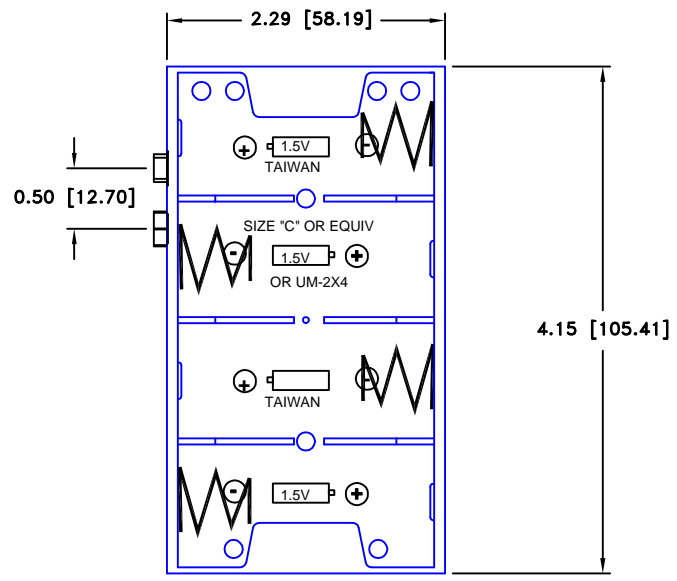



| Date | SYM | REVISION RECORD | AUTH | DR. | CK. |
|------|-----|-----------------|------|-----|-----|
| | | | | | |
| | | | | | |
| | | | | | |
| | | | | | |
| | | | | | |



NOTES:

1. MATERIAL:

HOUSING : BLACK POLYPROPYLENE
 FLAMMABILITY RATING -UL94-HB,
 UL FILE NO. E216959
 TEMPERATURE RANGE: -10°C to +100°C
 RIVETS: BRASS, NICKLE PLTD.
 SPRING: SPRING STEEL, NICKLE PLTD.
 9 VOLT SNAPS: BRASS, NICKLE PLTD.
 CONTACT RESISTANCE: UNDER 50mΩ FOR
 +/- CONTACTS PER EIA-540J000
 ROHS COMPLIANT

| | | | |
|--------------------------------|---|---------------------------|------------------|
| Tolerance (Except as noted) |  Memory Protection Devices, Inc 200 Broad Hollow Road, Farmingdale, New York 11735 | Scale | Drawn By B.S. |
| decimal ±.020 (.5) | | XX | Approved By T.B. |
| Fractional ± .030 (.8) | Title EIGHT "C" CELL HOLDER | | |
| Angular ± 3° | Date 8/18/06 | Drawing Number BH48CSF | |