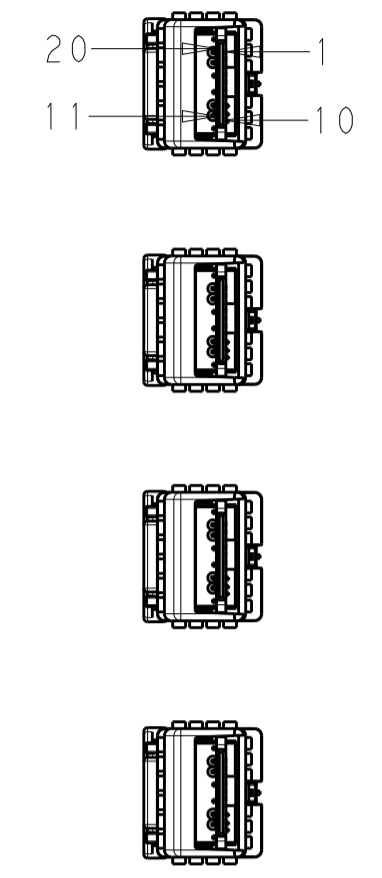
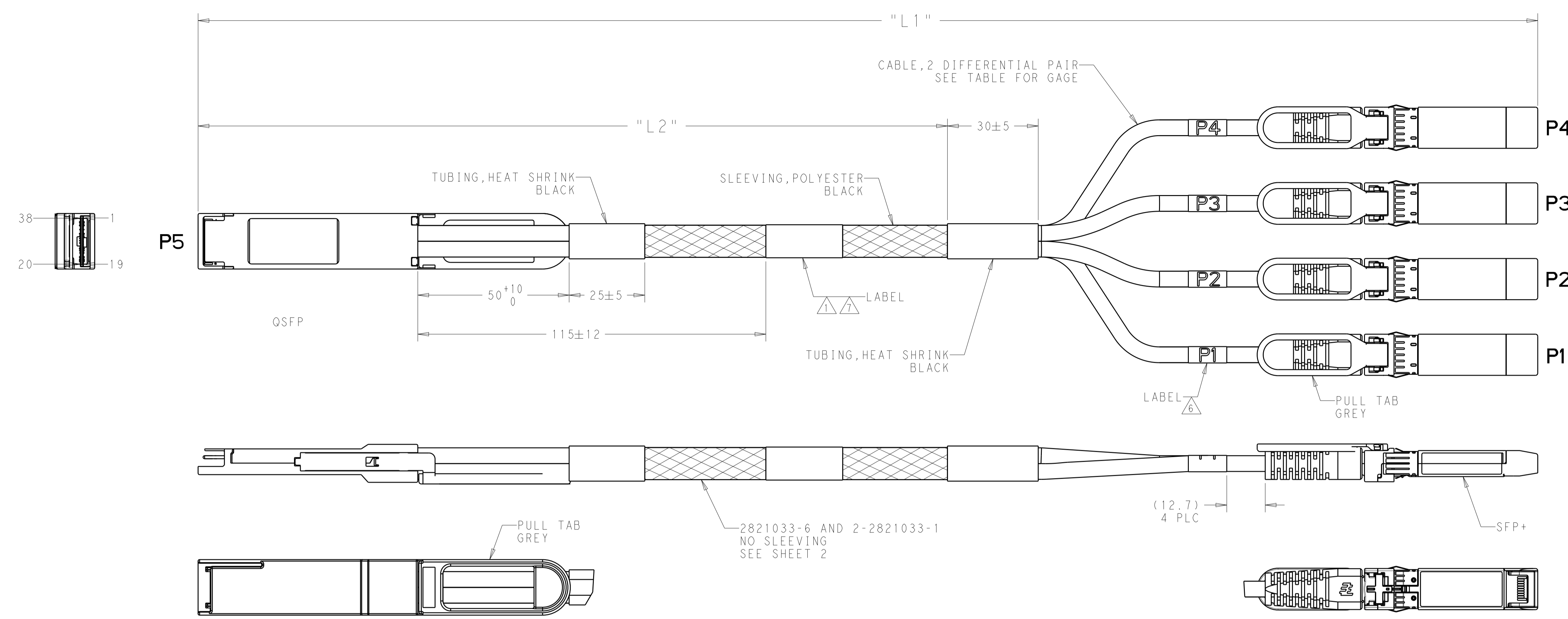
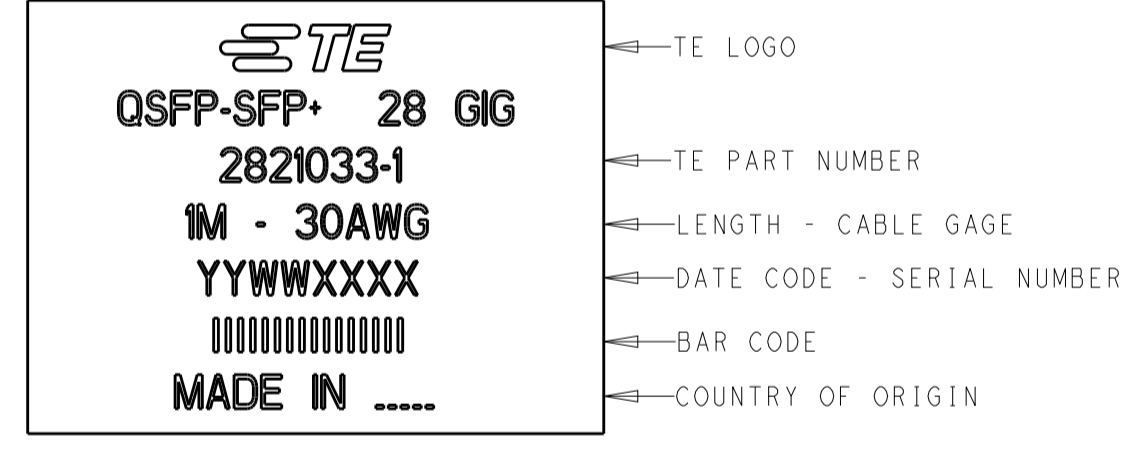


REVISIONS				
P	LTN	DESCRIPTION	DATE	OWN APVD
J		REDRAWN PER ECO-17-003216	07MAR2017	TS EC
J1		REVISED PER ECO-18-011943	26JUL2018	CP GF



△ LABEL INFORMATION: -1 SHOWN.



- SEE SHEET 2 FOR WIRING SCHEMATIC.
- PRODUCT AND PROCESSING MEETS THE REQUIREMENTS OF TE SPECIFICATION TEC-138-702.
- CABLE ASSEMBLY TO BE TESTED FOR OPENS, SHORTS AND PROPER EEPROM PROGRAM.

△ DUE TO SHORT CABLE LENGTH, THE PART NUMBERS INDICATED MAY NOT MEET IEEE802.3bj. RETURN LOSS AND MINIMUM INSERTION LOSS LIMITS.

△ LABEL INFORMATION: P1 SHOWN



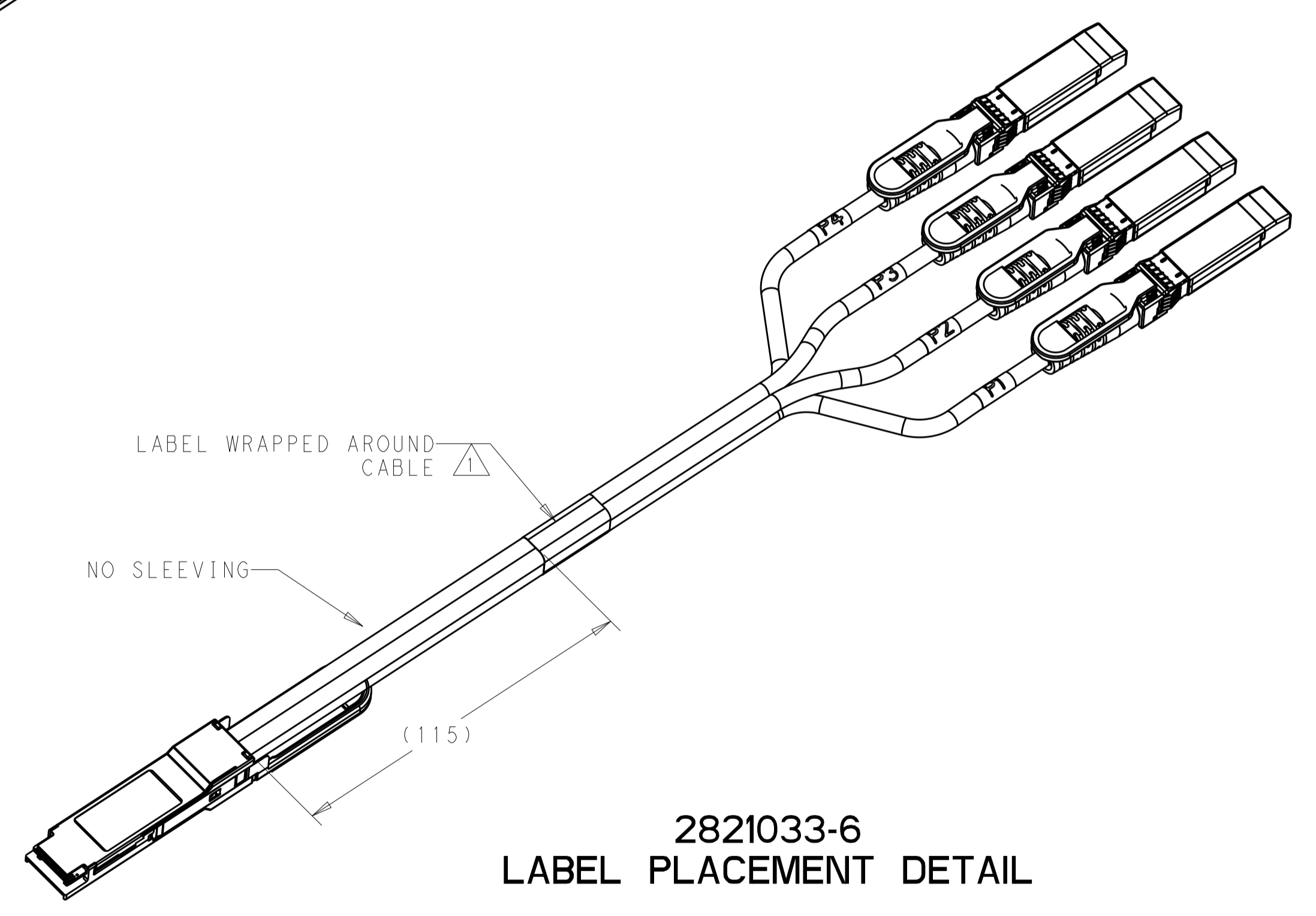
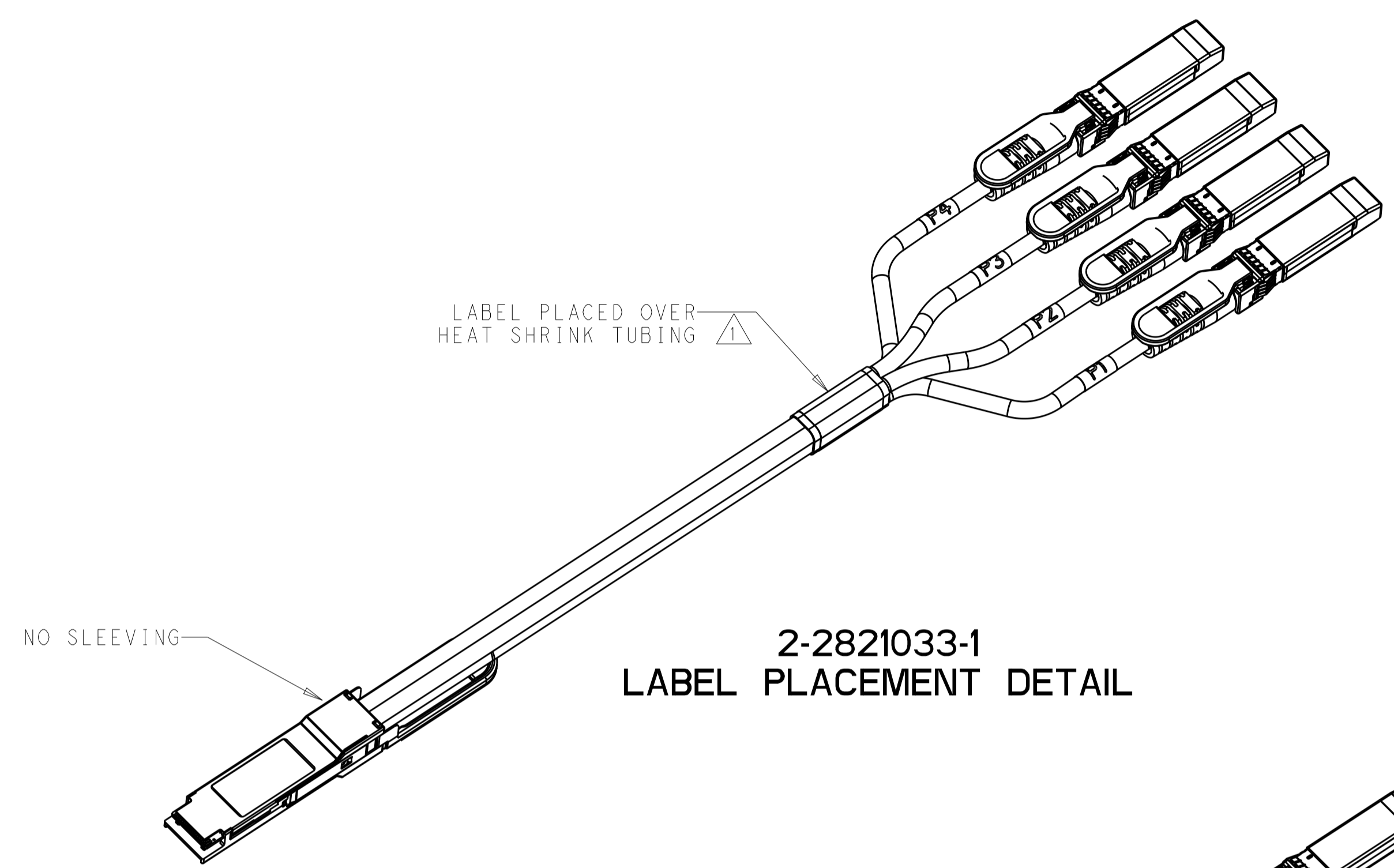
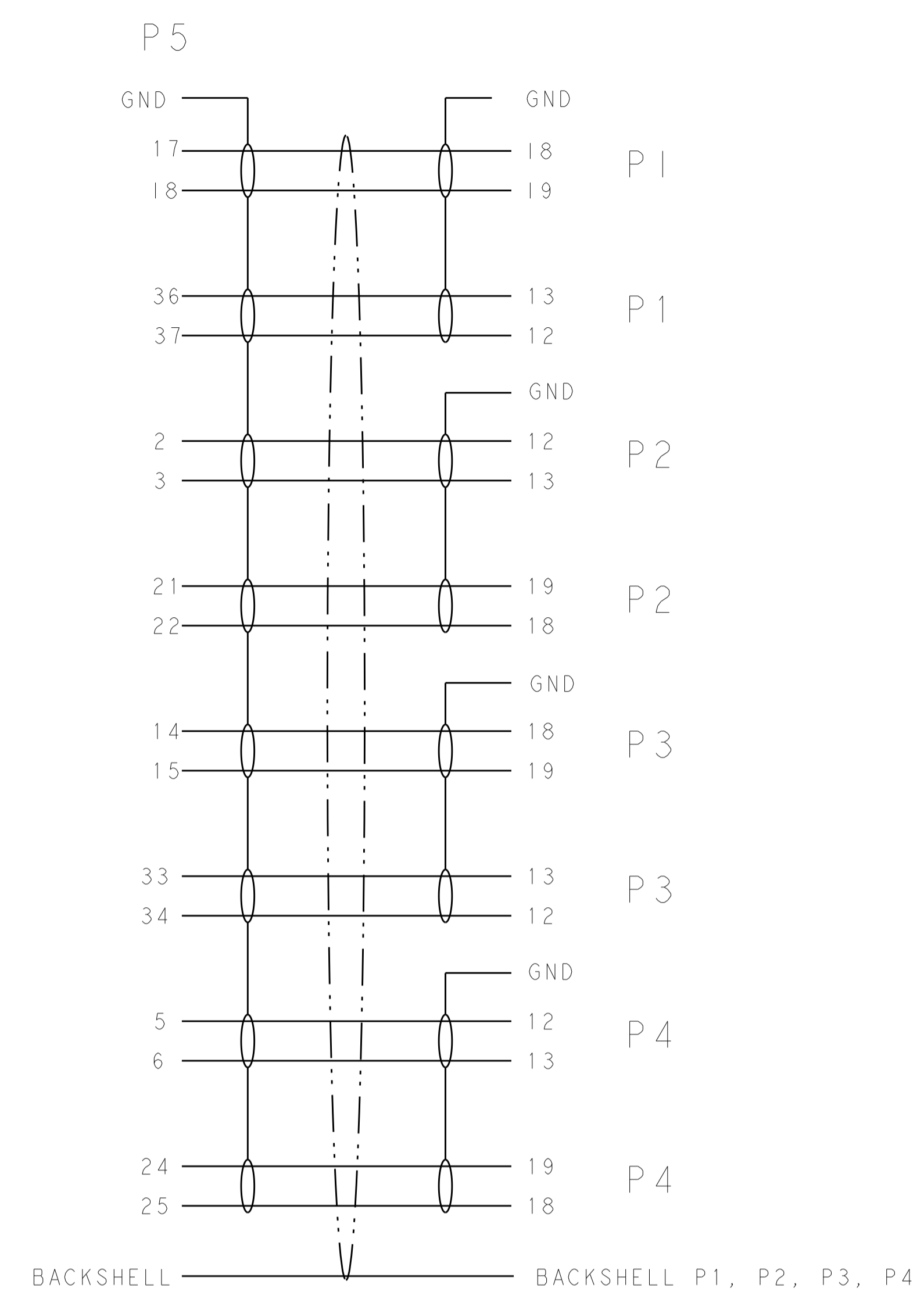
△ SEE SHEET 2 FOR 2821033-6 AND 2-2821033-1 LABEL PLACEMENT.

	30	120 ±12	△ 500 +50/-0	2-2821033-1
	30	1500 ±25	3500 +80/-0	2-2821033-0
	28	1500 ±25	3500 +80/-0	1-2821033-9
	30	1000 ±25	2500 +80/-0	1-2821033-8
OBSOLETE	24	2000 ±25	5000 +80/-0	1-2821033-6
	26	1000 ±25	3000 +80/-0	1-2821033-2
OBSOLETE	24	2000 ±25	6000 +80/-0	1-2821033-1
	30	700 ±25	2000 +80/-0	1-2821033-0
	30	500 ±25	1500 +50/-0	2821033-9
	33	330 ±25	1000 +50/-0	2821033-8
	33	500 ±25	1500 +50/-0	2821033-7
	33	-	500 +50/-0	2821033-6
	26	1500 ±25	4000 +80/-0	2821033-5
	28	1000 ±25	3000 +80/-0	2821033-4
	26	2000 ±25	5000 +80/-0	2821033-3
	30	1000 ±25	3000 +80/-0	2821033-2
	30	330 ±25	1000 +50/-0	2821033-1
	GAGE	"L2"	"L1"	PART NO

THIS DRAWING IS A CONTROLLED DOCUMENT.

DIMENSIONS:	TOLERANCES UNLESS OTHERWISE SPECIFIED:	OWN: T. SMITH 02MAR2017	CHK: E. CUESTA 02MAR2017	APVD: E. CUESTA 02MAR2017
mm	0 PLC ±	NAME: CABLE ASSEMBLY, QSFP28 TO (4) SFP+		
	1 PLC ±	PRODUCT SPEC: -		
	2 PLC ±	APPLICATION SPEC: -		
	3 PLC ±	SIZE: A1		
	4 PLC ±	CAGE CODE: -		
	ANGLES ±	DRAWING NO: C=2821033		
MATERIAL: -	FINISH: -	RESTRICTED TO: -		
CUSTOMER DRAWING		SCALE: 5:4 SHEET 1 OF 2 REV J1		

REVISIONS				
P.	LTN	DESCRIPTION	DATE	APVD
		SEE SHEET 1		



THIS DRAWING IS A CONTROLLED DOCUMENT.		OWN T. SMITH 02MAR2017	TE Connectivity
DIMENSIONS: mm		CHK E. CUESTA 02MAR2017	
TOLERANCES UNLESS OTHERWISE SPECIFIED:		APVD E. CUESTA 02MAR2017	NAME CABLE ASSEMBLY, QSFP28 TO (4) SFP+
0 PLC ±	1 PLC ±	PRODUCT SPEC	SIZE A1
2 PLC ±	3 PLC ±	APPLICATION SPEC	CAGE CODE -
4 PLC ±	ANGLES ±	WEIGHT -	DRAWING NO. C=2821033
MATERIAL -	FINISH -	CUSTOMER DRAWING	RESTRICTED TO
SCALE 3:2			SHEET 2 OF 2
			REV J1