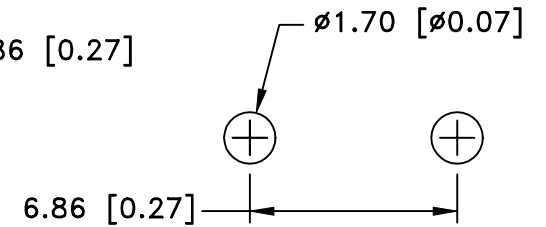
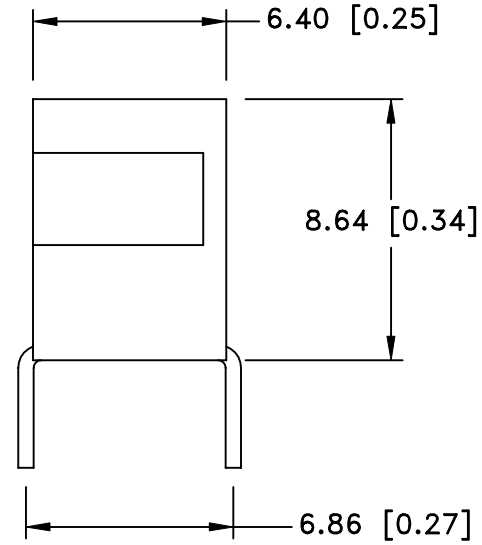
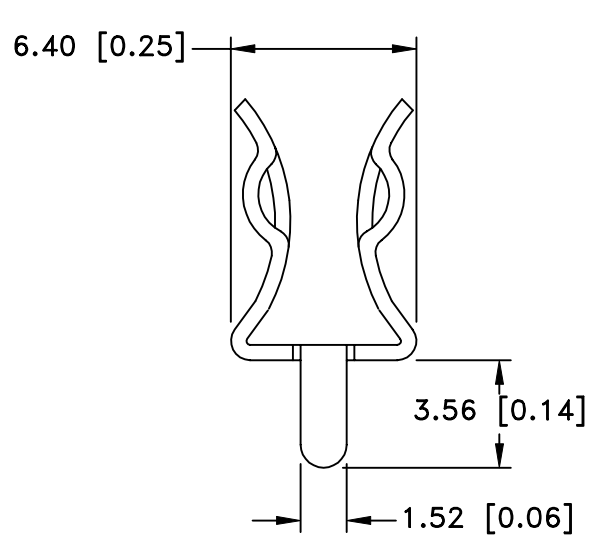



Date	SYM	REVISION RECORD	AUTH	DR.	CK.



**MOUNTING DETAIL**

**NOTES:**

- MATERIAL:**  
0.020" BRASS, TIN PLTD.

Tolerance (Except as noted)	 <b>Memory Protection Devices, Inc</b> 200 Broad Hollow Road, Farmingdale, New York 11735		
decimal ±.5 (.020)	Scale	Drawn By B.S. Approved By T.B.	
Fractional ± .8 (.030)	Title TRADITIONAL 2AG PC CLIP FOR 5mm DIA. FUSE		
Angular ± 3°	Date 06/05/04	Drawing Number BK-6005	