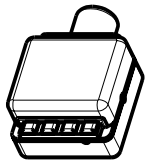
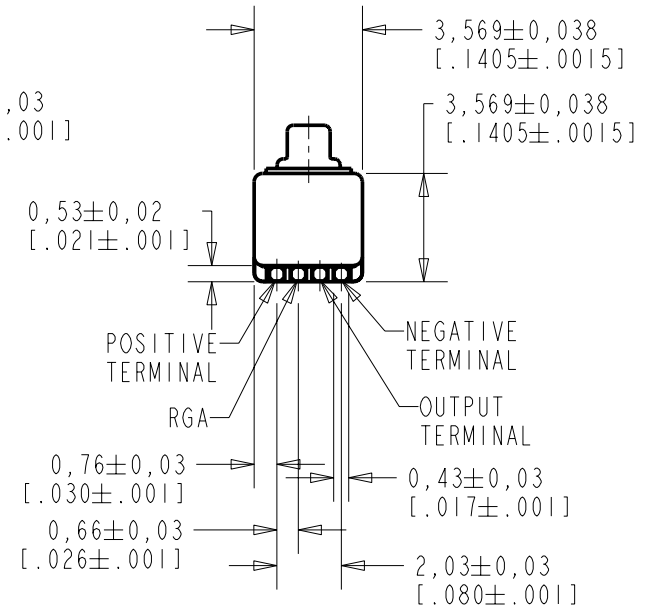
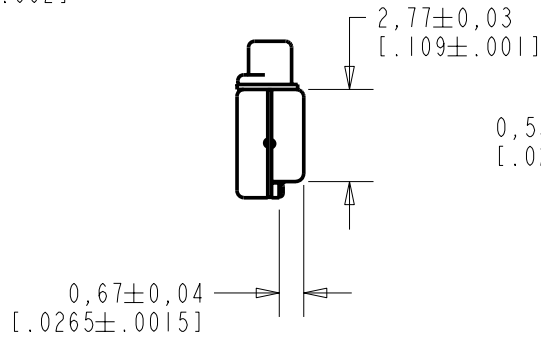
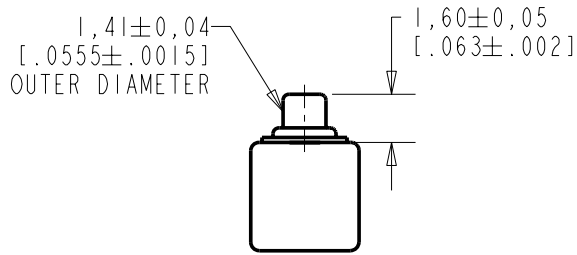
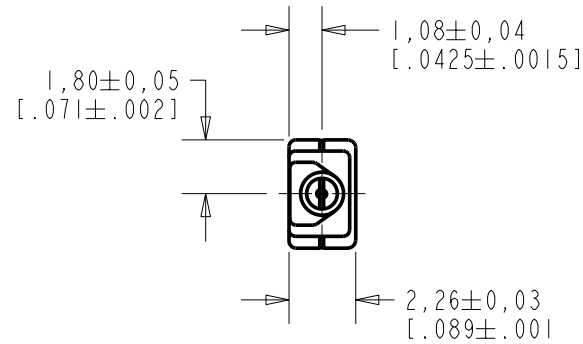


FI-23341-000
SHT 1.1



NOMINAL WEIGHT
.08 GRAMS

DIMENSIONS IN MILLIMETERS [INCHES]

Revision	C.O. #	Implementation Date	RELEASE LEVEL	REVISION
B	MI0102206	8-4-08	Active	B
A	MI0100749	8-3-05		

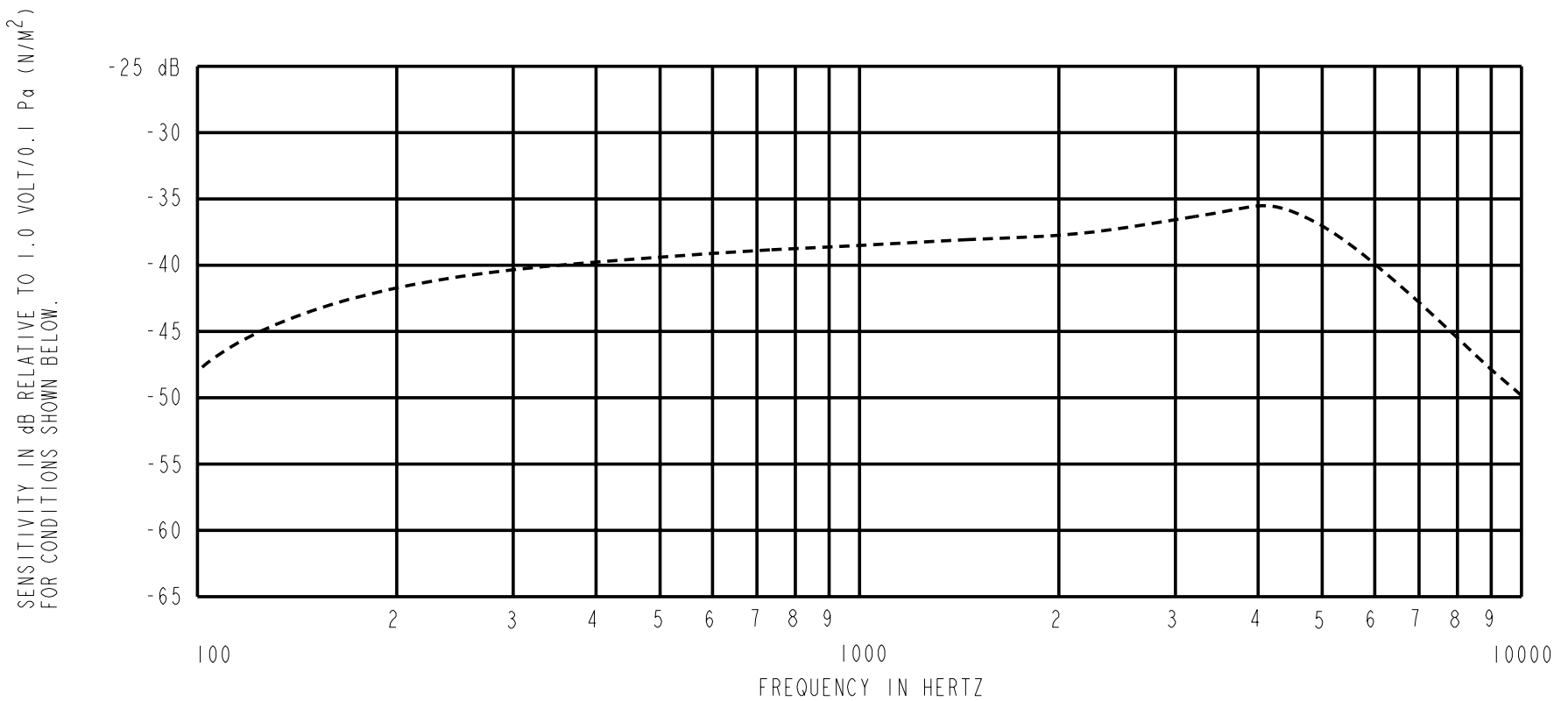
SCALE:	4:1	DR. BY	DATE
DO NOT SCALE DRAWING		MMM	8-3-05
TITLE:	MICROPHONE	CK. BY	DATE
	OUTLINE DRAWING	AB	8-5-05
		APP. BY	DATE
		AB	8-5-05

KNOWLES ELECTRONICS
ITASCA, ILLINOIS U.S.A.

RED CONTROLLED

FI-23341-000

SHT 1.1



FREQUENCY	SENSITIVITY			DEVICE CONFORMITY	
	MIN.	NOM.	MAX.	RANGE OF DEVIATION FROM 1KHz	
100	---	-48.0	---	-13.5	-5.5
1000	-42.5	-38.5	-34.5	---	---
≈ 4200	---	-35.0	---	+0.5	+6.5
6000	-43.5	-39.5	-35.5	---	---

NOTES:

1. CASE CONNECTED TO NEGATIVE TERMINAL.
2. MICROPHONE TO BE FUNCTIONAL WITH 3.0 VDC SUPPLY.
3. TYPICAL SENSITIVITY TO HUMIDITY AT 1000Hz IS 0.02 dB/%RH
4. SENSITIVITY AND NOISE VALUES INDICATED ON THIS SPECIFICATION ARE VALID AT 50% HUMIDITY.
5. WITH 383 KOHMS EXTERNAL LOAD APPLIED ACROSS RGA/OUTPUT.

PORT LOCATION	DC SUPPLY	AMPLIFIER CURRENT DRAIN	SENSITIVITY CHANGE ON REDUCING SUPPLY TO 0.9VDC	"A" WEIGHTED NOISE (1 KHz EQUIV. SPL)	OUTPUT IMPEDANCE OHMS			PFA
					MIN.	NOM.	MAX.	MIN.
12B	1.3V	90 μA MAX.	3 dB MAX.	33.0 dB MAX.	---	---	---	15 dB

RED CONTROLLED

KNOWLES ELECTRONICS
ITASCA, ILLINOIS U.S.A.



Revision	C.O. #	Implementation Date	RELEASE LEVEL	REVISION
B	M10102206	8-4-08	Active	B
A	M10100749	8-3-05		
WHEN TEST LIMITS ARE USED TO ESTABLISH INCOMING INSPECTION ACCEPTANCE/REJECTION CRITERIA, CORRELATION OF TEST EQUIPMENT WITH KNOWLES IS ALSO REQUIRED FOR ELIMINATION OF EQUIPMENT AND TEST METHOD VARIATION			DR. BY	DATE
TITLE: MICROPHONE PERFORMANCE SPECIFICATION			MMM	8-3-05
			AB	8-5-05
F I - 23341 - 000 SHT 2.1			APP. BY	DATE
			AB	8-5-05

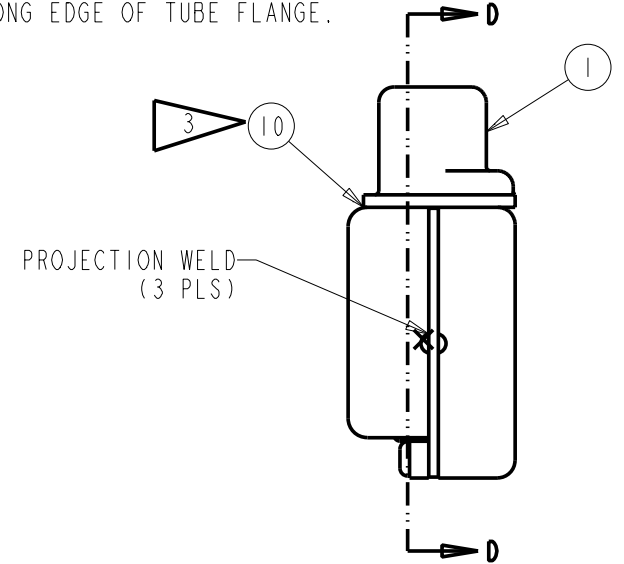
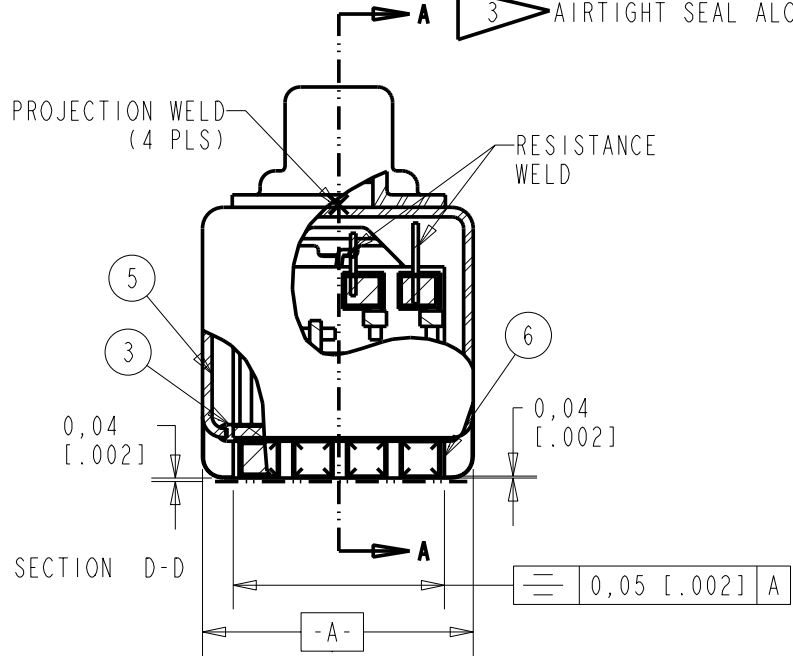
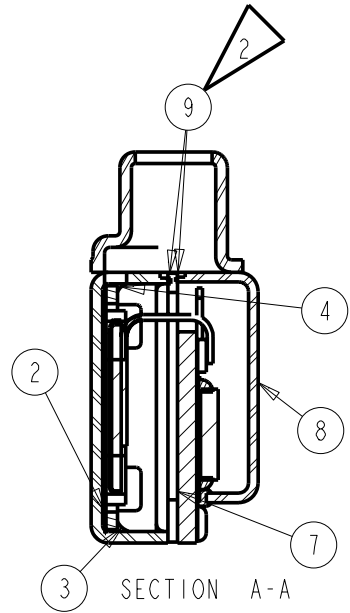
PROPRIETARY NOTE: THIS DOCUMENT CONTAINS INFORMATION WHICH IS THE PROPRIETARY PROPERTY OF KNOWLES ELECTRONICS, LLC. OR ITS AFFILIATED ENTITIES. IT IS ISSUED IN STRICT CONFIDENCE AND SHALL NOT BE REPRODUCED, COPIED, USED, OR DISCLOSED TO ANY THIRD PARTY PARTIALLY OR WHOLLY IN ANY MANNER WITHOUT PRIOR WRITTEN PERMISSION OF, AND MUST BE RETURNED UPON REQUEST BY, KNOWLES ELECTRONICS, LLC.

F1-23341-000

NOTES:

1. ITEM NUMBERS (SHOWN THUS ) ON DRAWING CORRESPOND WITH ITEM NUMBERS ON BILL OF MATERIAL.

 2 AIRTIGHT SEAL ALL AROUND.
 3 AIRTIGHT SEAL ALONG EDGE OF TUBE FLANGE.



DIMENSIONS IN MILLIMETERS [INCHES]

RELEASE LEVEL	REVISION
Active	B

MATERIAL SEE BILL OF MATERIAL.

FINISH ---

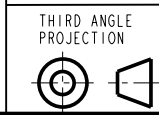
SCALE: 10:1

DO NOT SCALE DRAWING

REF.	A	B
	c.o. M10100749	c.o. M10102206
	SHEET 1.1 MODIFIED MMM 8-4-08	

RED CONTROLLED

UNLESS OTHERWISE SPECIFIED, DIMENSIONS ARE IN INCHES.



KNOWLES ELECTRONICS
ITASCA, ILLINOIS U.S.A.

DR. BY	DATE
MMM	8-3-05
CH. BY	DATE
AB	8-5-05
APP. BY	DATE
AB	8-5-05

TITLE
MICROPHONE ASSEMBLY

F1-23341-000
 SHEET 3.1

FI-23341-000		KNOWLES ELECTRONICS		FI-23341-000	
Sheet 4.1		ITASCA, ILLINOIS U.S.A.		Sheet 4.1	
Dr.	By MMM	Date 8-3-05	Subject: MICROPHONE ASSEMBLY	Revision	
Ch.	AB	8-5-05			
App.	AB	8-5-05		Release Level	
COL. 1	2	3		4	
Part or Dwg. no.	Tot. Req.	Nomenclature:		Applicable Specs or Remarks	Item No. Line No.
IM-102	1	CUP, PLATE, & TUBE ASSEMBLY			1 1
EM-141	1	RING, FILM & PLATE ASSEMBLY			2 2
13-092	A/R	CEMENT			3 3
13-274	A/R	CEMENT			4 4
EM-037	1	PLATE			5 5
IM02-156	1	CIRCUIT ASSEMBLY WITH WIRES			6 6
13-092	A/R	CEMENT			7 7
IM-004	1	CUP			8 8
13-092	A/R	CEMENT			9 9
13-092	A/R	CEMENT			10 10
13-092	A/R	CEMENT			11 11

RED CONTROLLED

REVISION	A	c.o. M10100749
	B	c.o. M10102206
SHEET 1.1 MODIFIED MMM 8-4-08		

FI-23341-000
Sheet 4.1

PROPRIETARY NOTE: THIS DOCUMENT CONTAINS INFORMATION WHICH IS THE PROPRIETARY PROPERTY OF KNOWLES ELECTRONICS, LLC. OR ITS AFFILIATED ENTITIES. IT IS ISSUED IN STRICT CONFIDENCE AND SHALL NOT BE REPRODUCED, COPIED, USED, OR DISCLOSED TO ANY THIRD PARTY PARTIALLY OR WHOLLY IN ANY MANNER WITHOUT PRIOR WRITTEN PERMISSION OF, AND MUST BE RETURNED UPON REQUEST BY, KNOWLES ELECTRONICS, LLC.

REV: D

PRODUCTION TEST INFORMATION

SOFTWARE REVISION GPIB FCAMT	SOFTWARE 5.2 MIN.
HARDWARE REVISION GPIB FCAMT	KE 1069B.10A MIN.

RED CONTROLLED

Revision	C.O. #	Implementation Date	RELEASE LEVEL	REVISION
B	M10102206	8-4-08	Active	B
A	M10100749	8-3-05		

KNOWLES ELECTRONICS ITASCA, ILLINOIS U.S.A.	WHEN TEST LIMITS ARE USED TO ESTABLISH INCOMING INSPECTION ACCEPTANCE/REJECTION CRITERIA, CORRELATION OF TEST EQUIPMENT WITH KNOWLES IS ALSO REQUIRED FOR ELIMINATION OF EQUIPMENT AND TEST METHOD VARIATION	DR. BY MMM	DATE 8-3-05	
	TITLE: MICROPHONE PERFORMANCE SPECIFICATION	FI-23341-000 SHT 5.1	CK. BY AB	DATE 8-5-05
			APP. BY AB	DATE 8-5-05